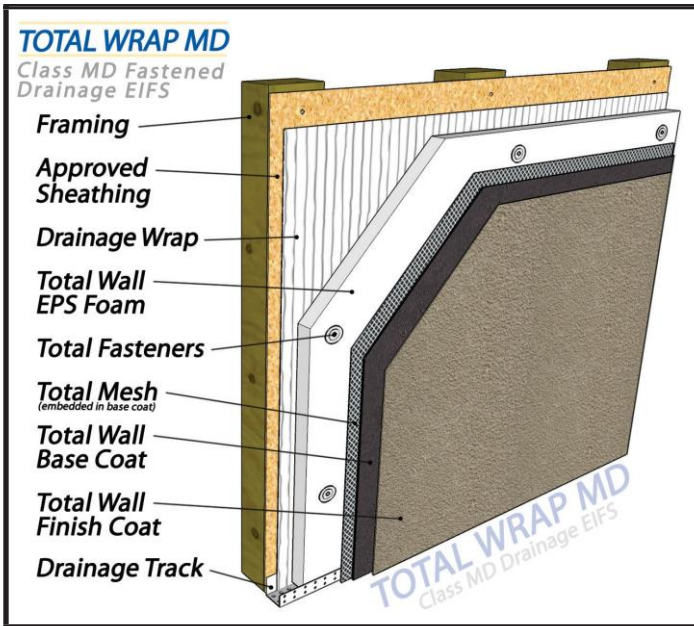


TOTAL WRAP MD

Section 07240
Master format 2004 07-24-

Fastened Drainage EIFS With Sheet Applied Membrane.

AMERICA'S EIFS AND STUCCO COMPANY!



With over 40 years of proven performance history, Total Wrap MD is a moisture drainable EIFS utilizing a proprietary self-draining, sheet-applied moisture barrier to permit any incidental water which enters the wall system to safely exit.

Total Wrap MD is ideal for use on any residential or commercial project employing wood or gypsum sheathings which will benefit from energy savings, flexible system design and proven moisture drainable design protection.

- **Energy Efficiency:** R 3.8 to R 15.2 (1" to 4" thickness)
- **Substrates:** Plywood, OSB, and all gypsum sheathings
- **Design Elements:** Requires no control joints, can employ reveals and trims, can correct minor wall deflections, can easily upgrade impact resistance using increased mesh weight
- **Sustainability:** Low VOC, low toxicity, recycled content

Detail Directory

Typical Total Wrap MD System - Iso	TWMD-01	Pg. 1
Typical Total Wrap MD System - Top View	TWMD-02	Pg. 1
Typical Window/Door Head (Flush)	TWMD-03.1	Pg. 2
Typical Window/Door Head (Recessed)	TWMD-03.2	Pg. 2
Typical Window/Door Head (Flush)	TWMD-03.3	Pg. 3
Typical Windowsill (Recessed)	TWMD-04.1	Pg. 3
Typical Windowsill (Recessed)	TWMD-04.2	Pg. 4
Typical Windowsill (Flush)	TWMD-04.3	Pg. 4
Typical Window/Door Jamb (Flush)	TWMD-05.1	Pg. 5
Typical Window/Door Jamb (Recessed)	TWMD-05.2	Pg. 5
Typical Window/Door Jamb (Flush)	TWMD-05.3	Pg. 6
Typical Expansion Joint	TWMD-06	Pg. 6
Typical "V" Groove	TWMD-07	Pg. 7
Typical EIFS @ Masonry Sill	TWMD-08.1	Pg. 7
Typical EIFS @ Masonry Sill	TWMD-08.2	Pg. 8
Typical Pipe Penetration	TWMD-09	Pg. 8
Typical Downspout Attachment	TWMD-10	Pg. 9
Typical Vent Attachment	TWMD-11	Pg. 9
Typical Kickout Flashing	TWMD-12	Pg. 10
Typical Window Opening Preparation	TWMD-13	Pg. 11

TOTAL WALL
AMERICA'S EIFS AND STUCCO COMPANY!

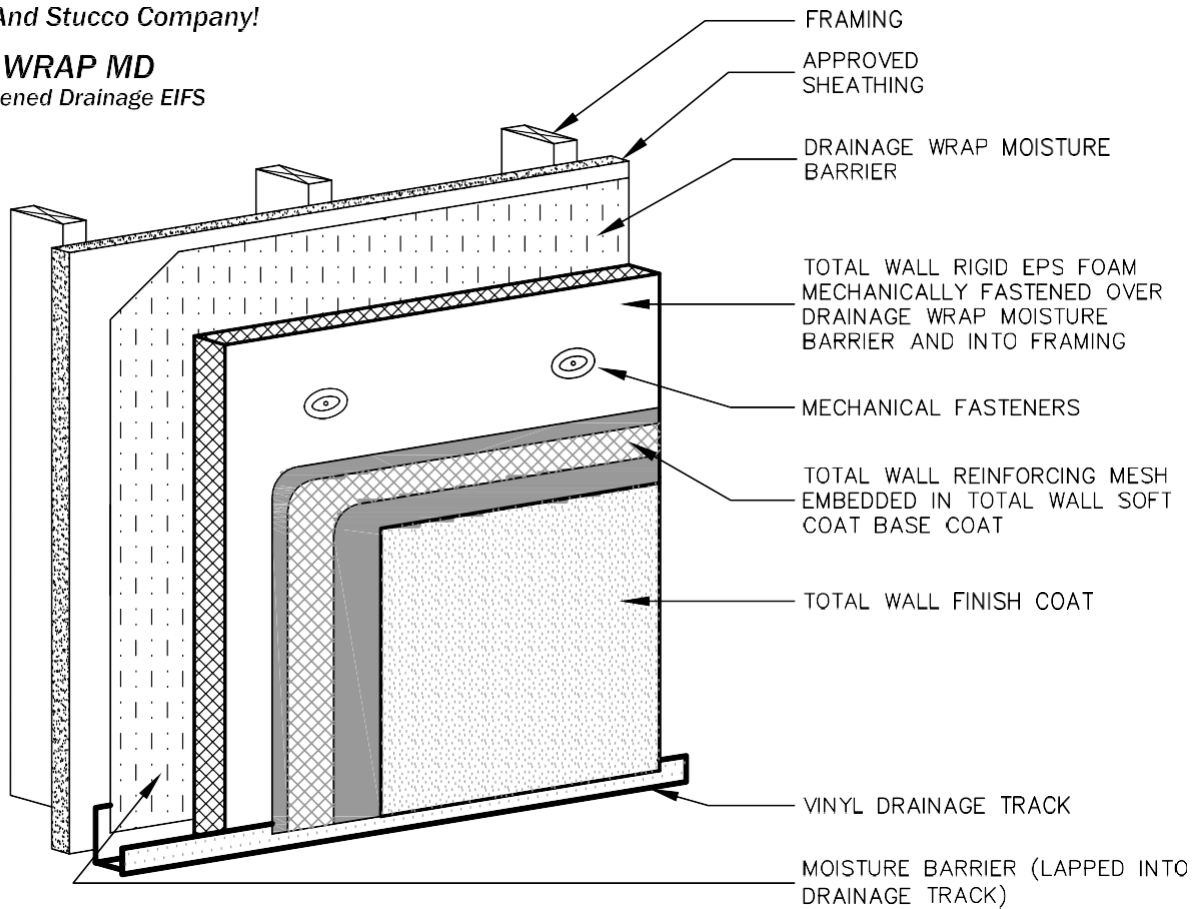
Ph 888.702.9915 Fax 888.702.9916 totalwall.com

TOTAL WALL

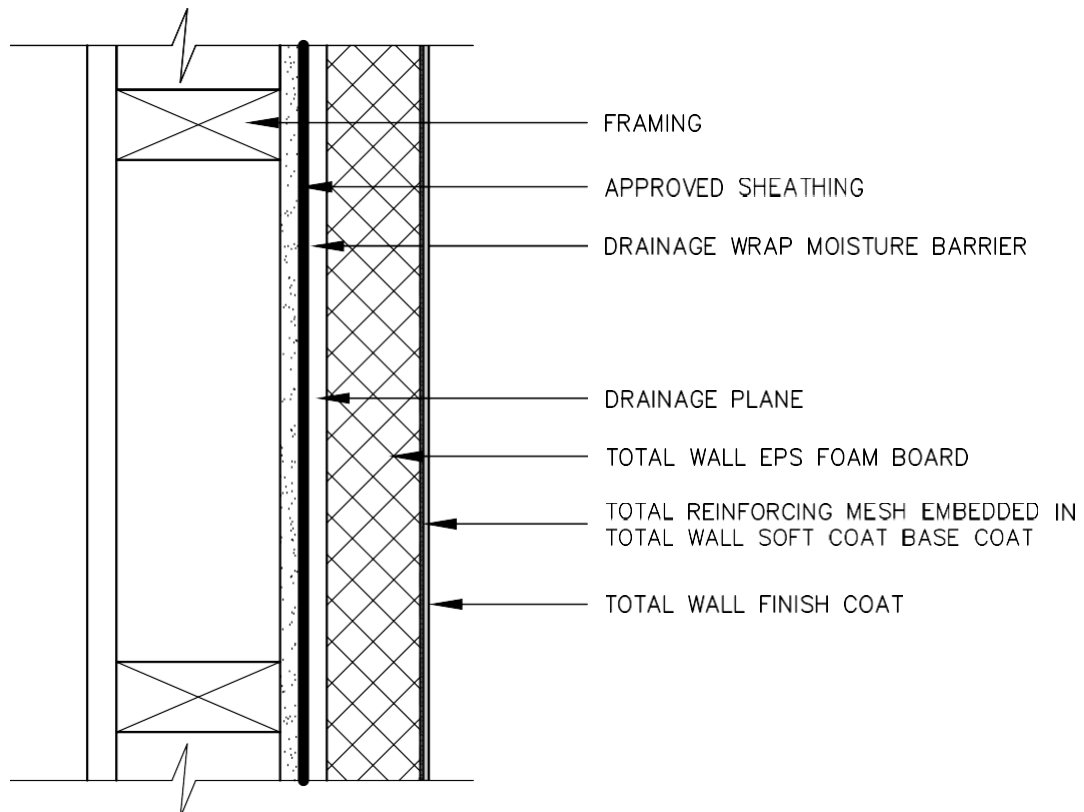
America's EIFS And Stucco Company!

TOTAL WRAP MD

Class MD Fastened Drainage EIFS



TWMD-01 TYPICAL DRAINAGE WRAP CLASS MD DRAINAGE - ISOMETRIC



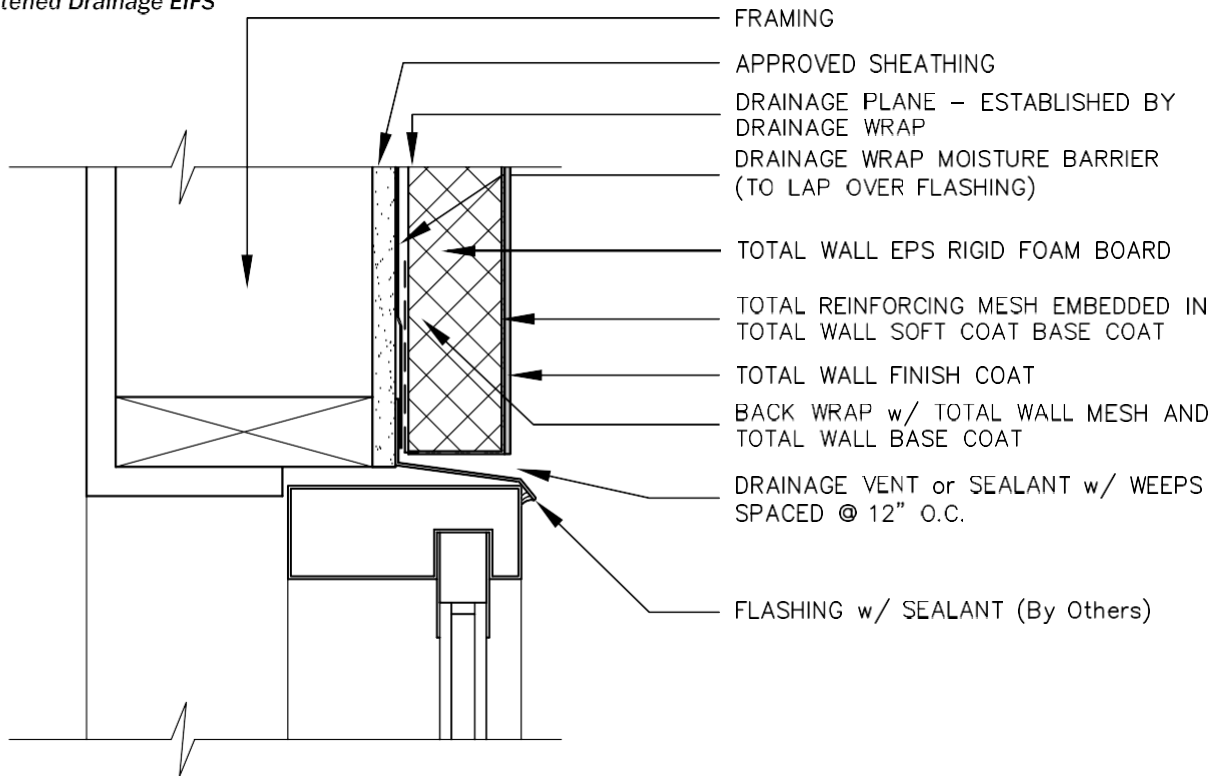
TWMD-02 TYPICAL DRAINAGE WRAP CLASS MD DRAINAGE - PLAN VIEW

TOTAL WALL

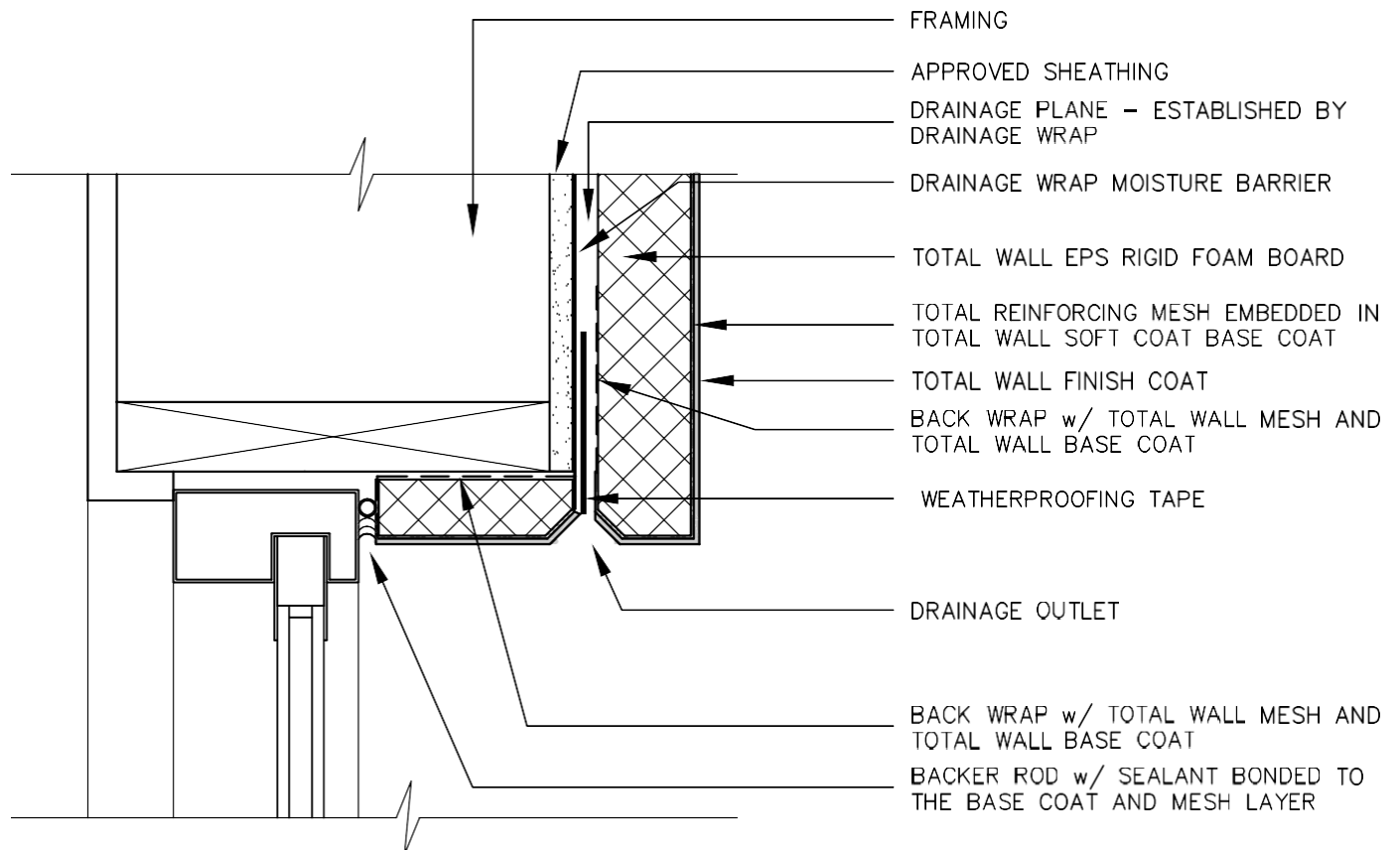
America's EIFS And Stucco Company!

TOTAL WRAP MD

Class MD Fastened Drainage EIFS



TWMD-03.1 TYPICAL WINDOW/DOOR HEAD (FLUSH)



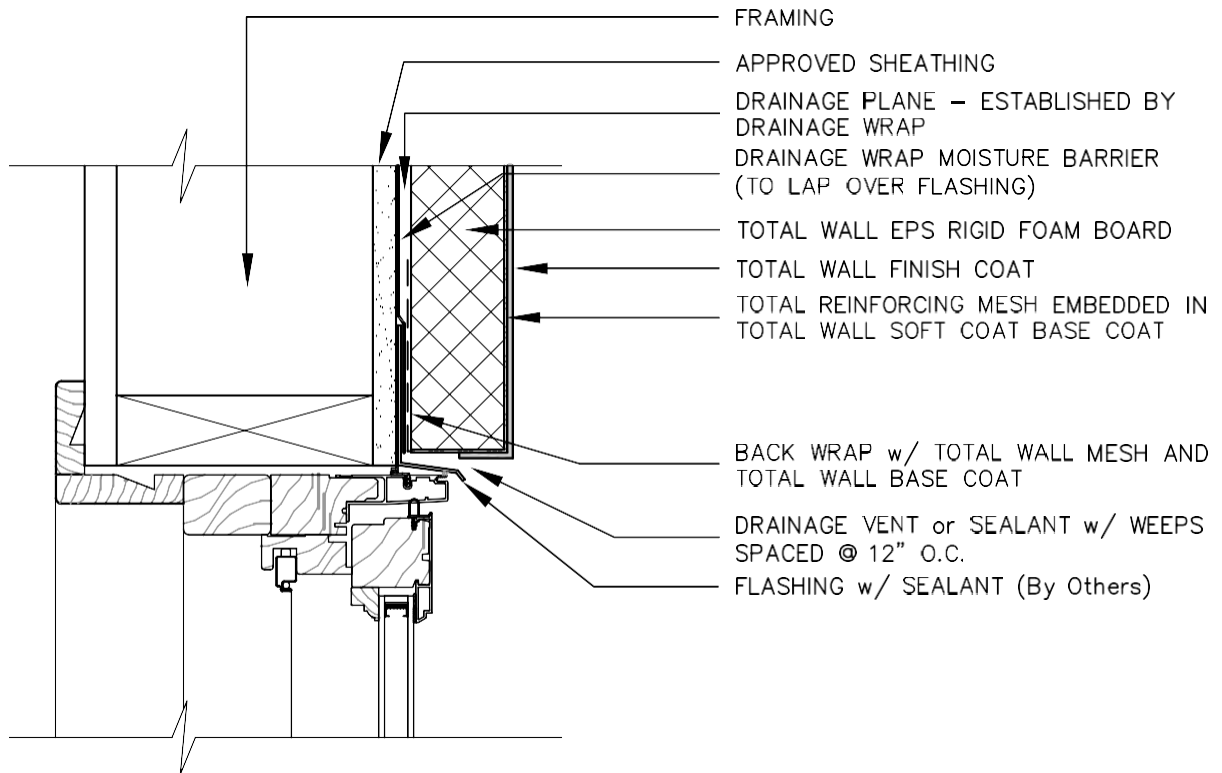
TWMD-03.2 TYPICAL WINDOW/DOOR HEAD (RECESSED)

TOTAL WALL

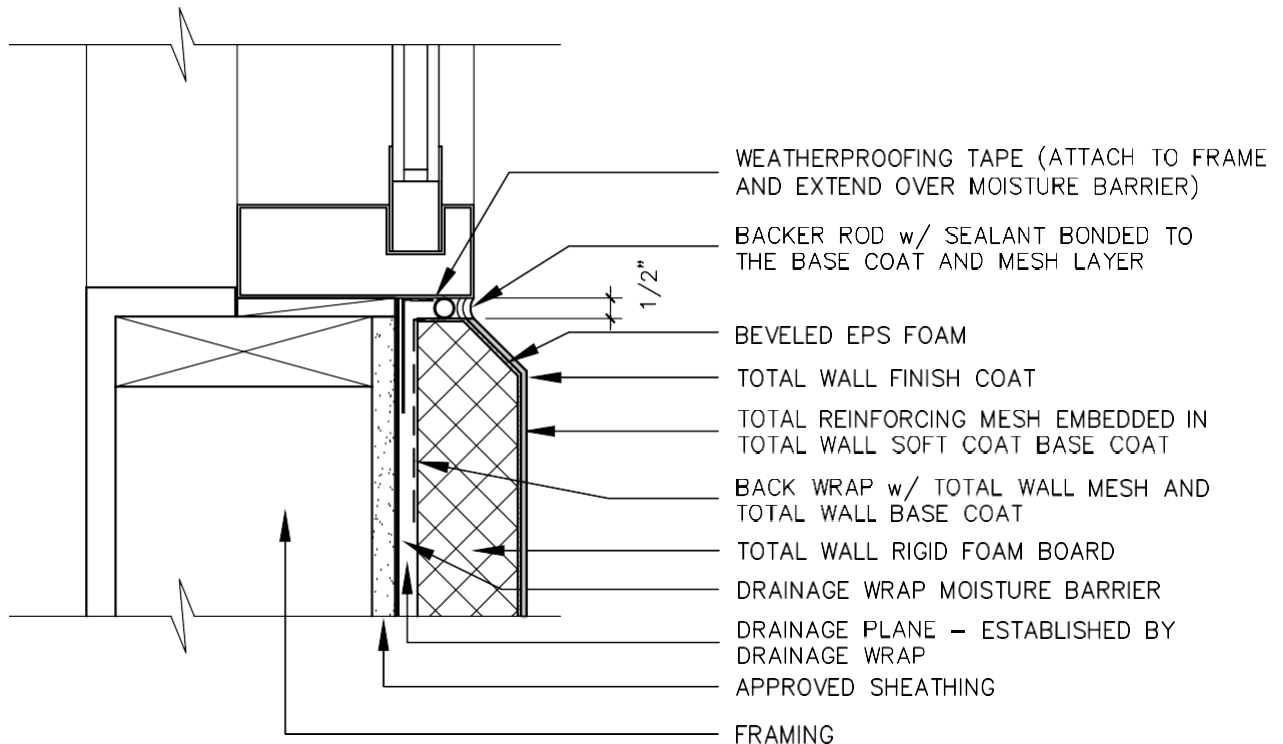
America's EIFS And Stucco Company!

TOTAL WRAP MD

Class MD Fastened Drainage EIFS



TWMD-03.3 TYPICAL WINDOW/DOOR HEAD (FLUSH)



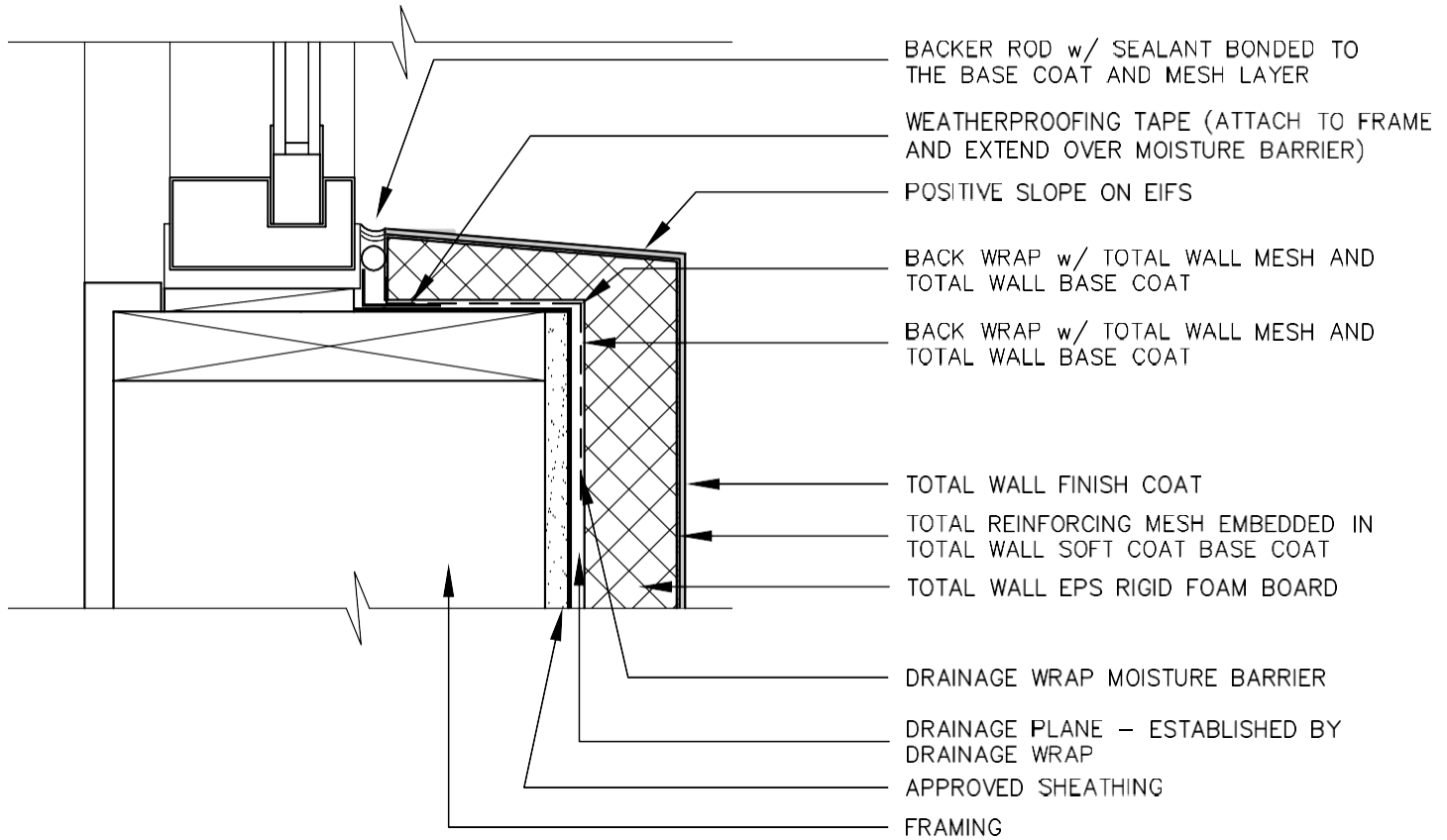
TWMD-04.1 TYPICAL WINDOW SILL (RECESSED)

TOTAL WALL

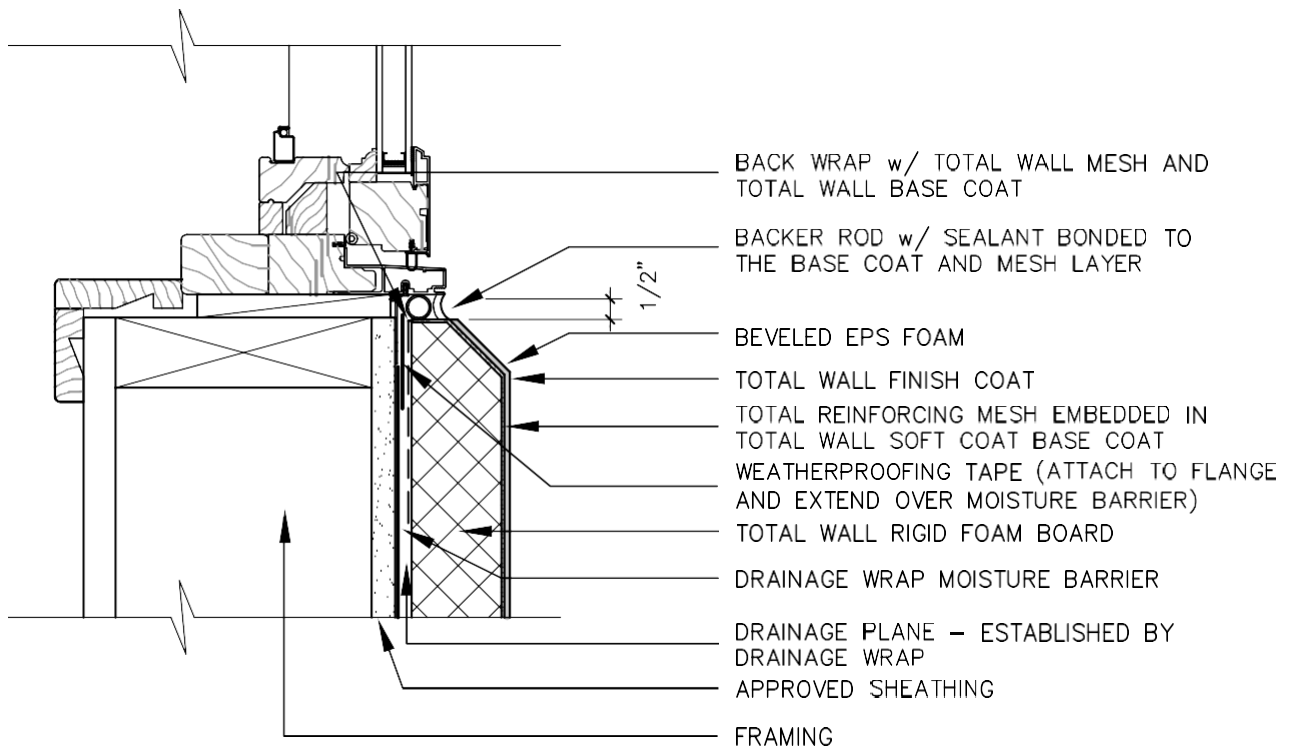
America's EIFS And Stucco Company!

TOTAL WRAP MD

Class MD Fastened Drainage EIFS



TWMD-04.2 TYPICAL WINDOW SILL (RECESSED)



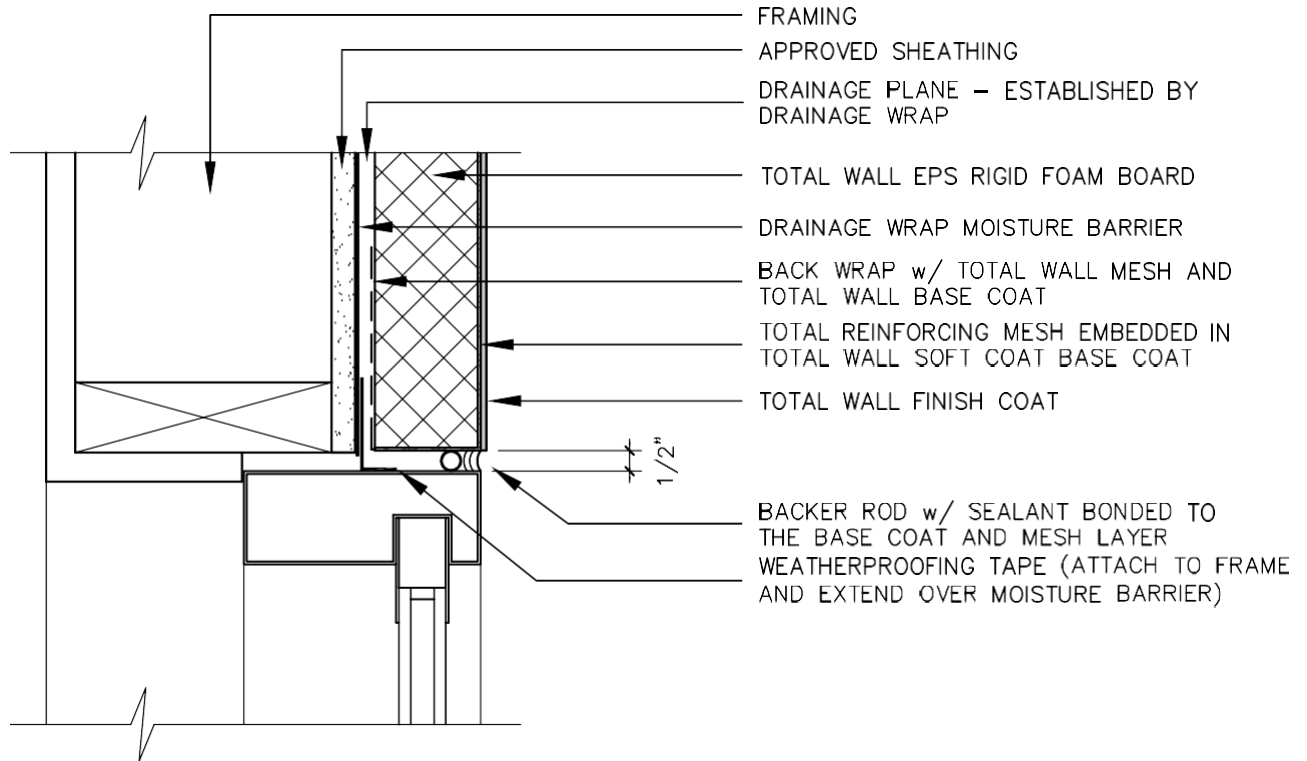
TWMD-04.3 TYPICAL WINDOW SILL (FLUSH)

TOTAL WALL

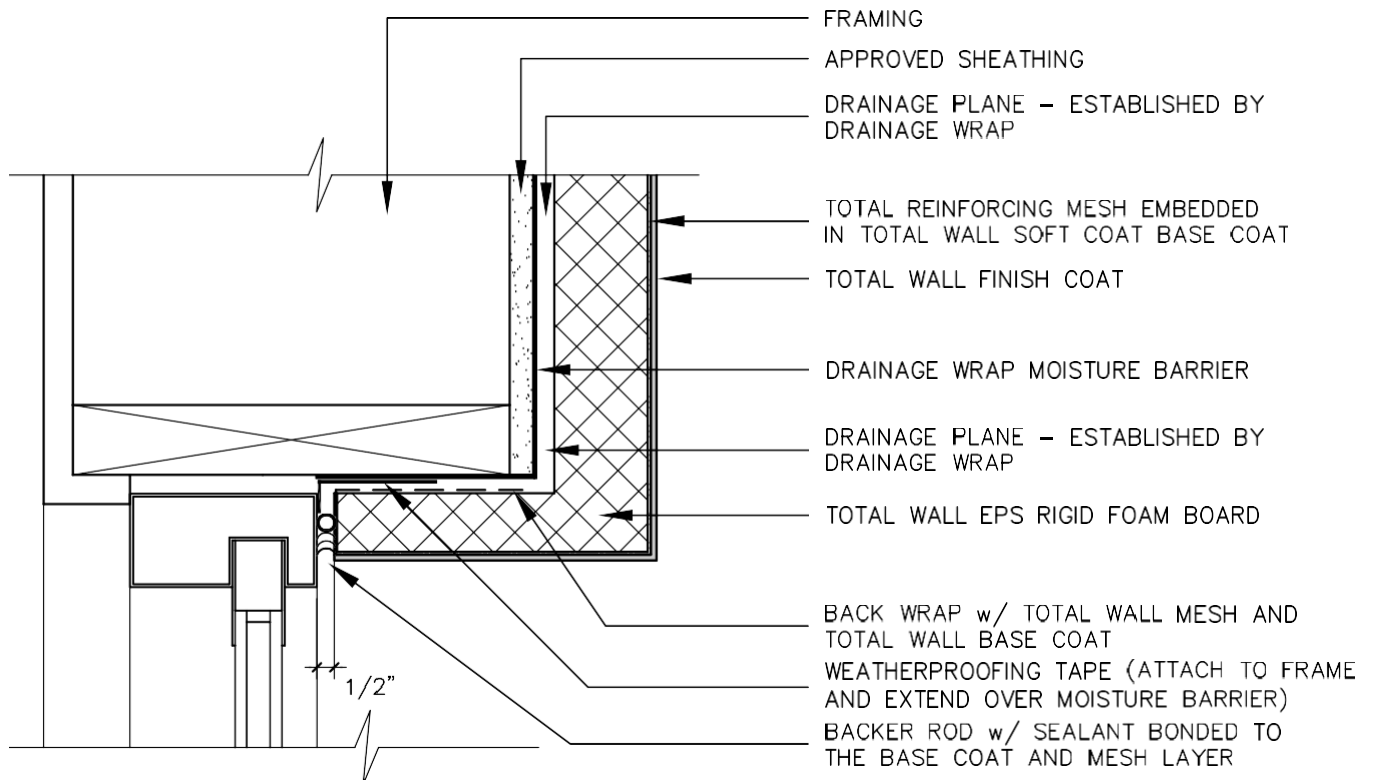
America's EIFS And Stucco Company!

TOTAL WRAP MD

Class MD Fastened Drainage EIFS



TWMD-05.1 TYPICAL WINDOW/DOOR JAMB (FLUSH) - TOP VIEW

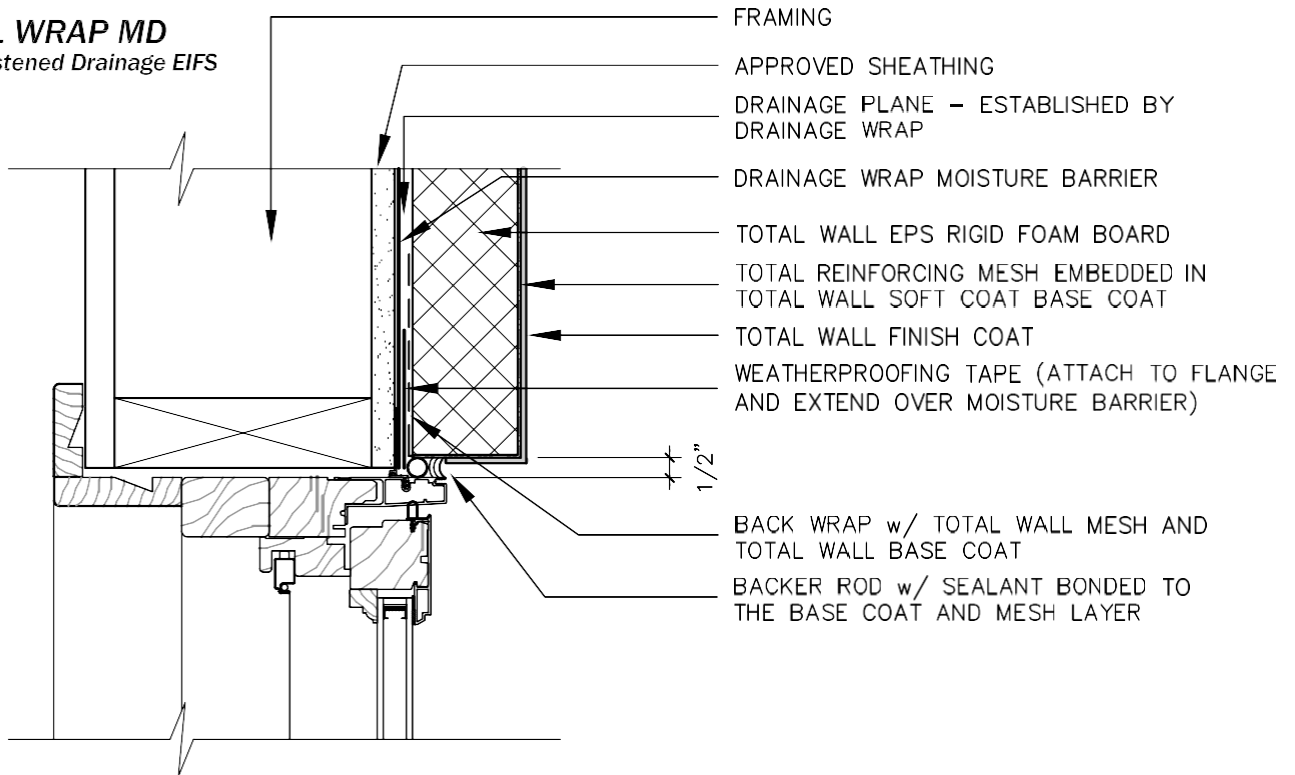


TWMD-05.2 TYPICAL WINDOW/DOOR JAMB (RECESSED) - TOP VIEW

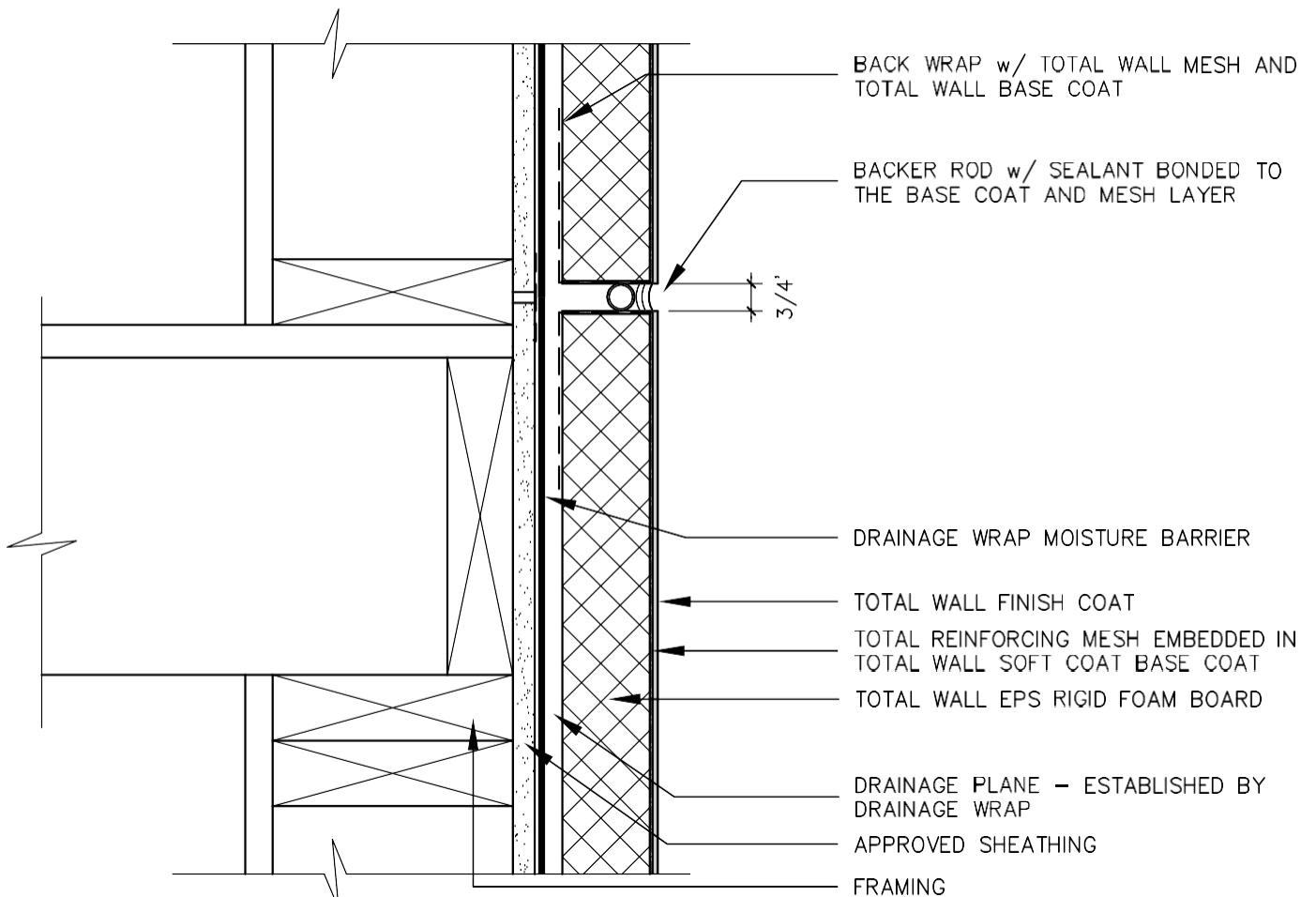
TOTAL WALL

America's EIFS And Stucco Company!

TOTAL WRAP MD Class MD Fastened Drainage EIFS



TWMD-05.3 TYPICAL WINDOW/DOOR JAMB (FLUSH) - TOP VIEW



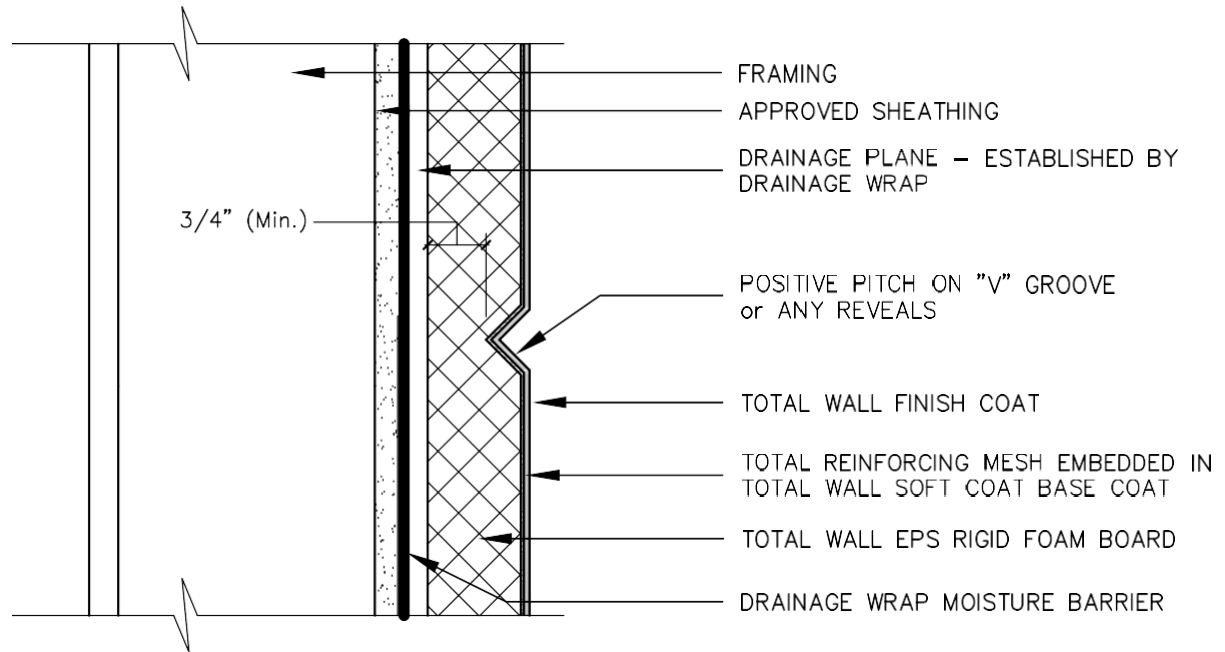
TWMD-06 TYPICAL EXPANSION JOINT

TOTAL WALL

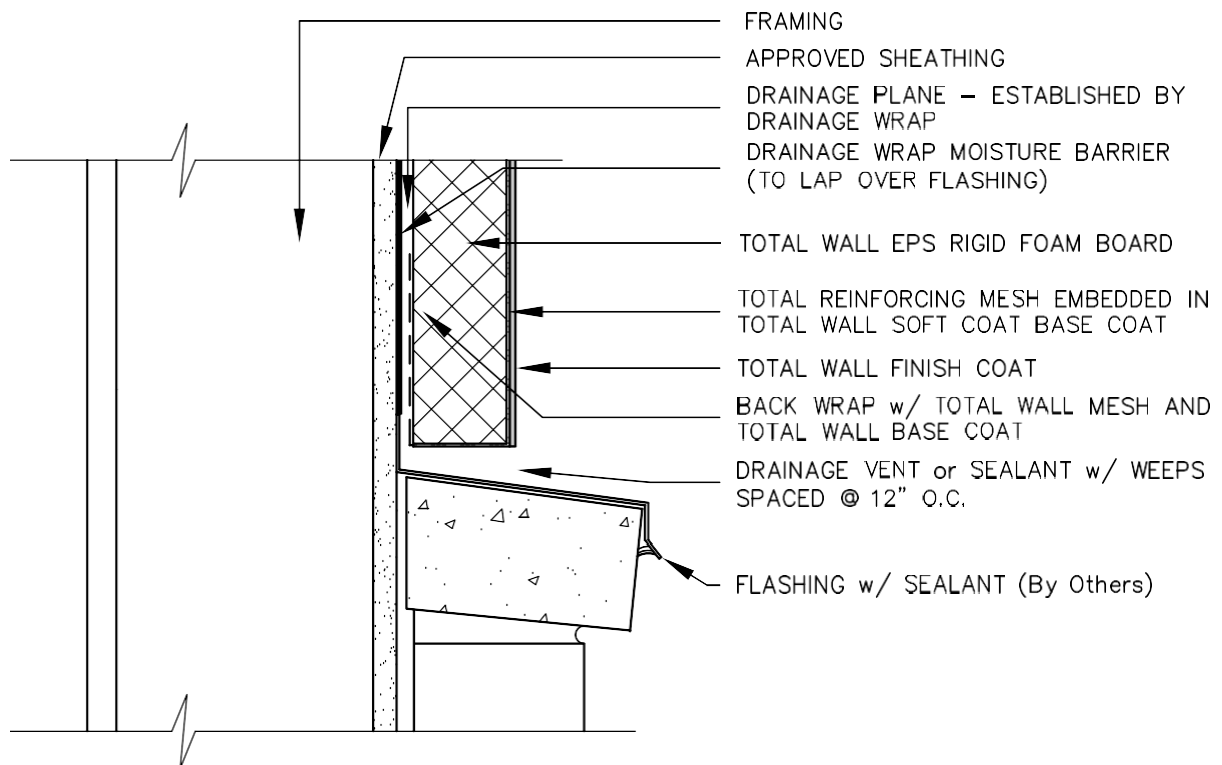
America's EIFS And Stucco Company!

TOTAL WRAP MD

Class MD Fastened Drainage EIFS



TWMD-07 TYPICAL "V" GROOVE



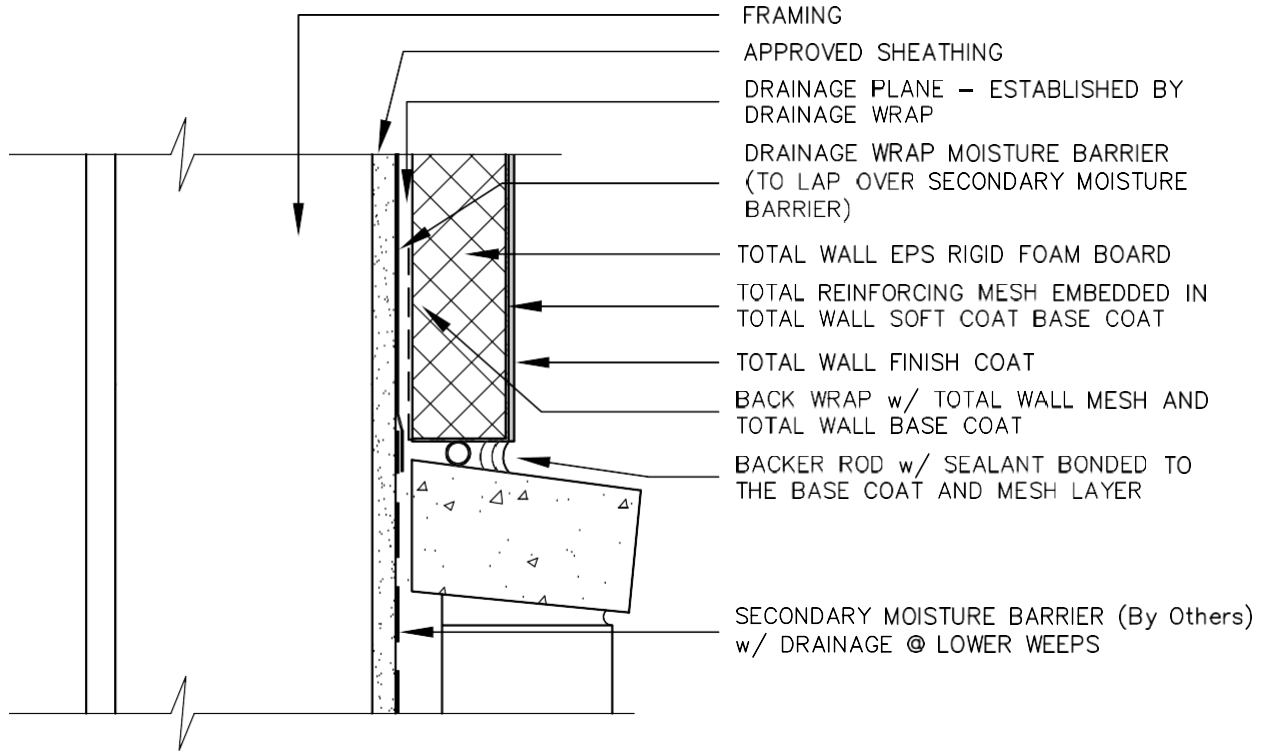
TWMD-08.1 TYPICAL EIFS @ MASONRY SILL

TOTAL WALL

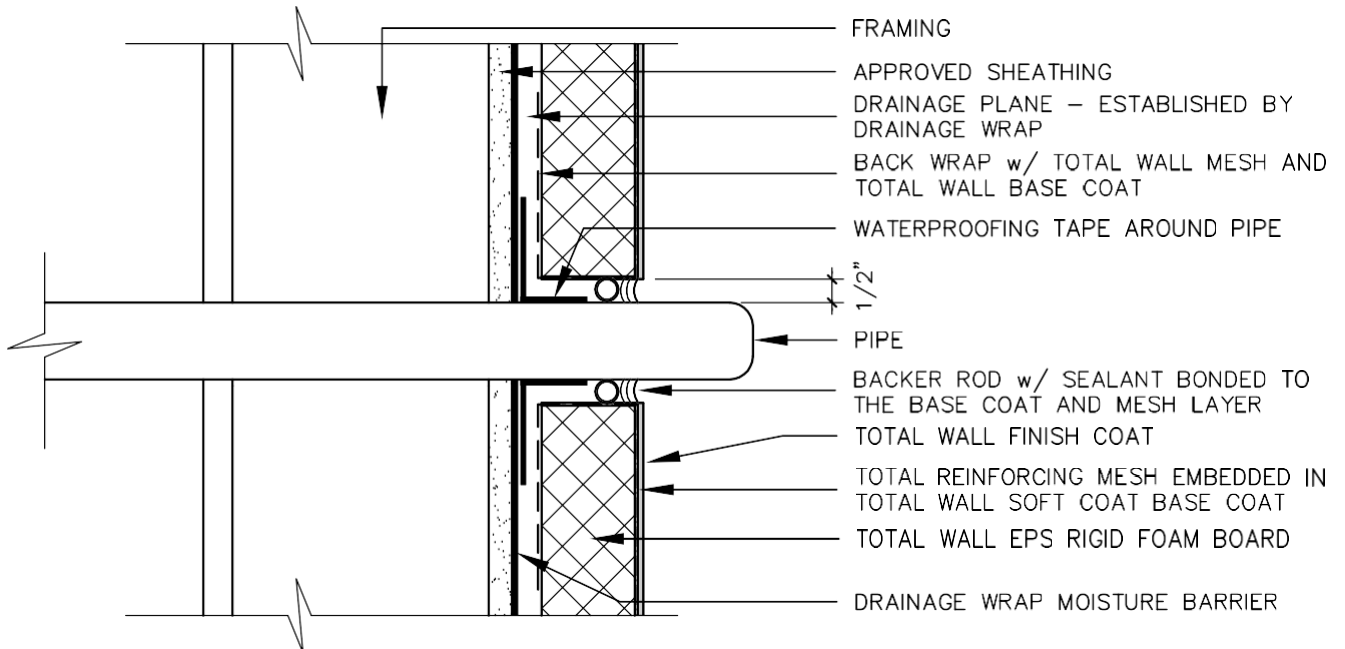
America's EIFS And Stucco Company!

TOTAL WRAP MD

Class MD Fastened Drainage EIFS



TWMD-08.2 TYPICAL EIFS @ MASONRY SILL



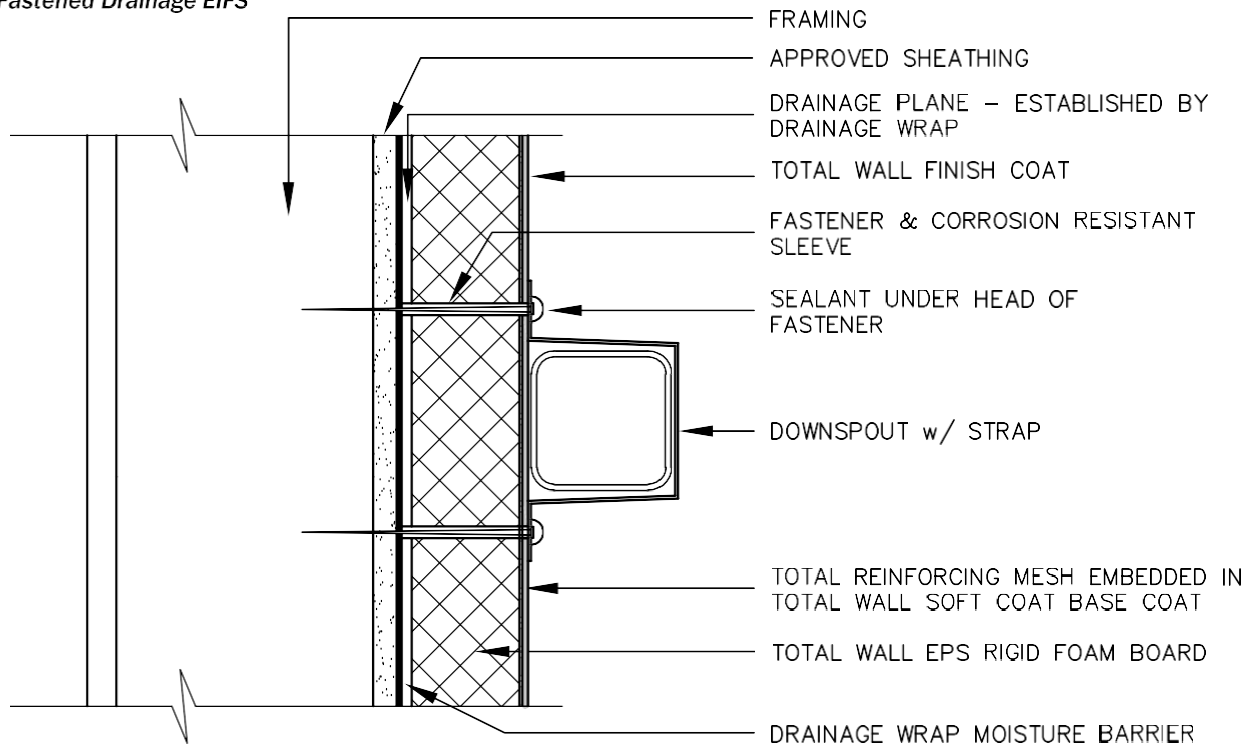
TWMD-09 TYPICAL PIPE PENETRATION

TOTAL WALL

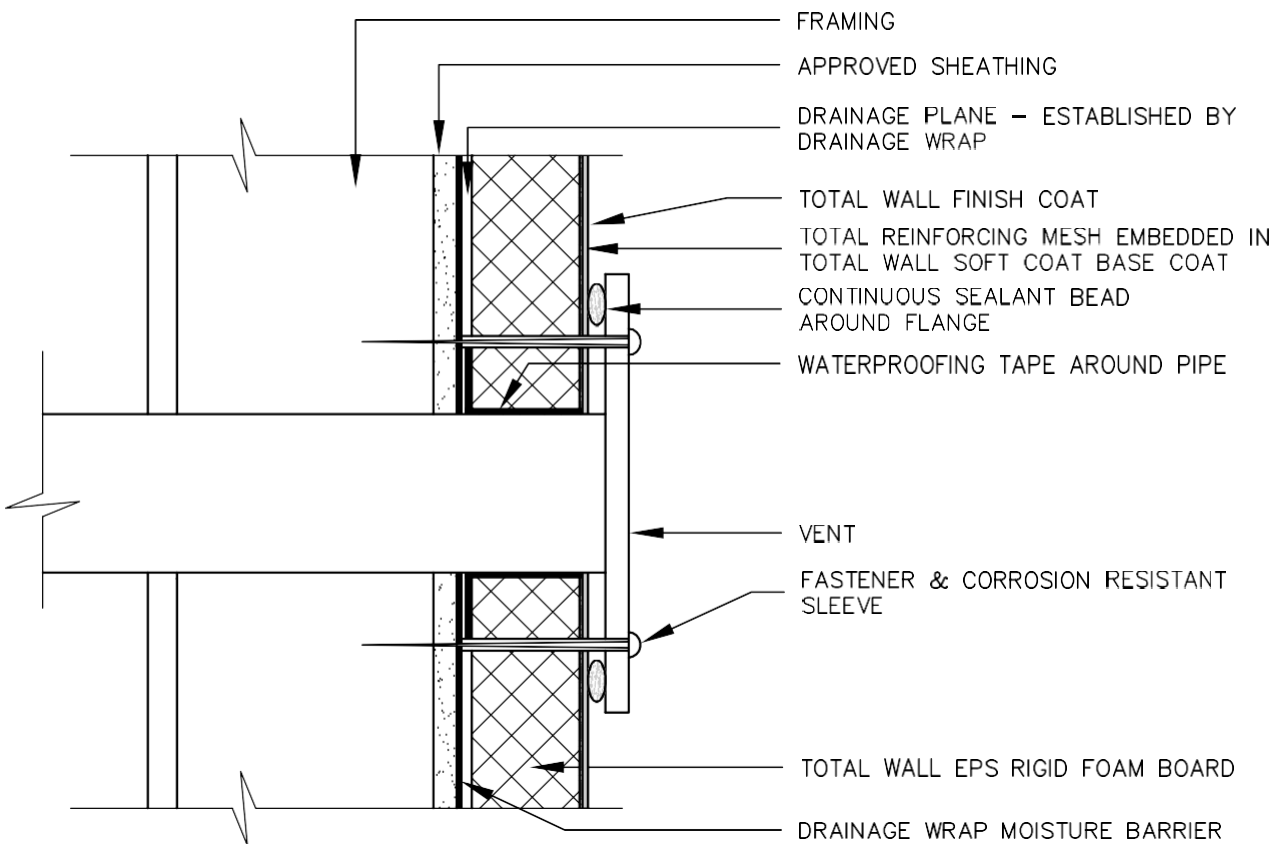
America's EIFS And Stucco Company!

TOTAL WRAP MD

Class MD Fastened Drainage EIFS



TWMD-10 TYPICAL DOWNSPOUT ATTACHMENT



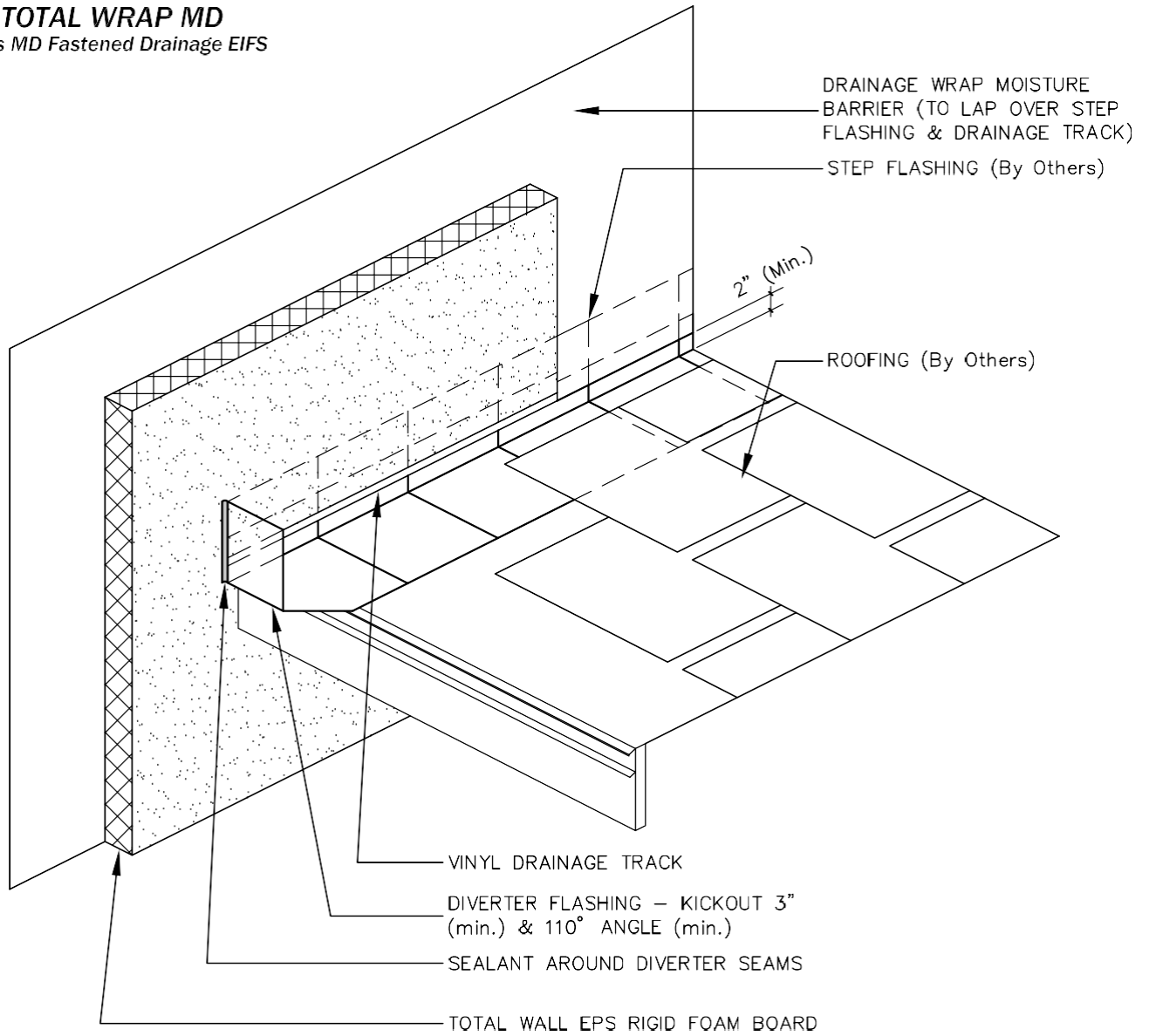
TWMD-11 TYPICAL VENT ATTACHMENT

TOTAL WALL

America's EIFS And Stucco Company!

TOTAL WRAP MD

Class MD Fastened Drainage EIFS



TWMD-12 TYPICAL KICK-OUT FLASHING

TOTAL WALL

America's EIFS And Stucco Company!

TOTAL WRAP MD

Class MD Fastened Drainage EIFS

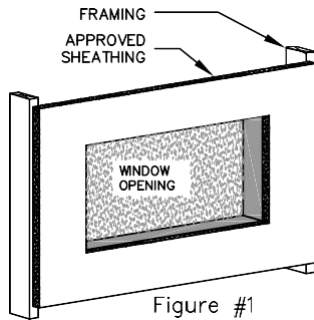


Figure #1

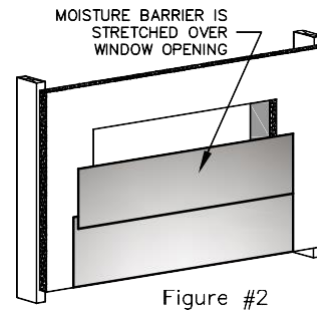


Figure #2

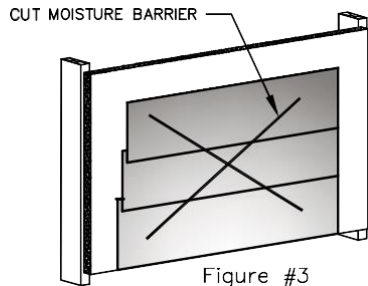


Figure #3

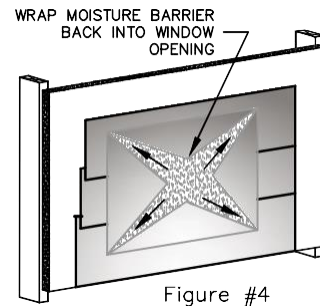


Figure #4

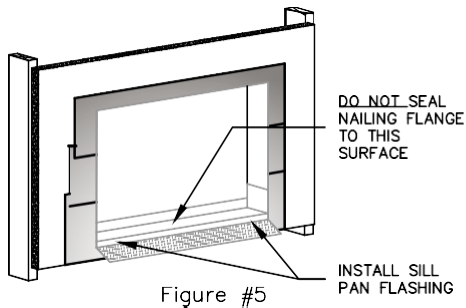


Figure #5

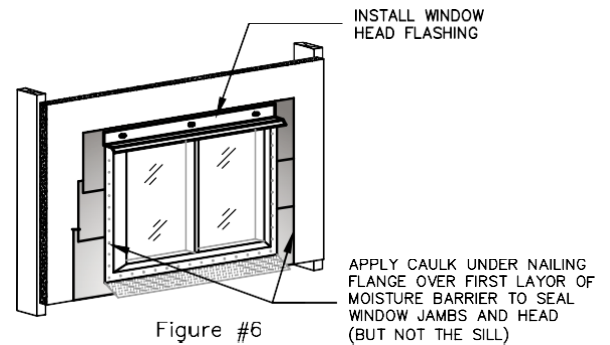


Figure #6

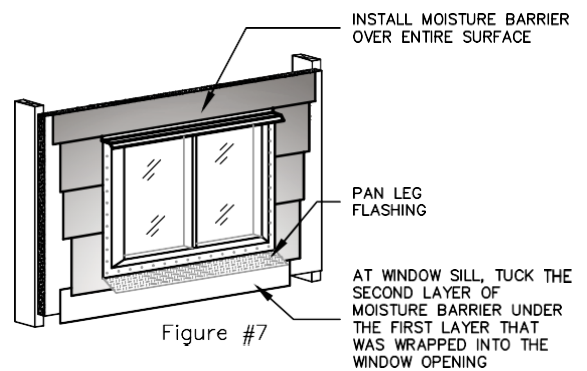
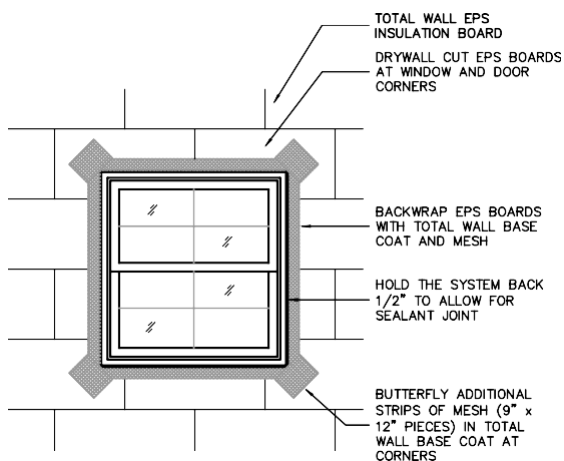


Figure #7

TWMD-13 TYPICAL WINDOW OPENING PREPARATION