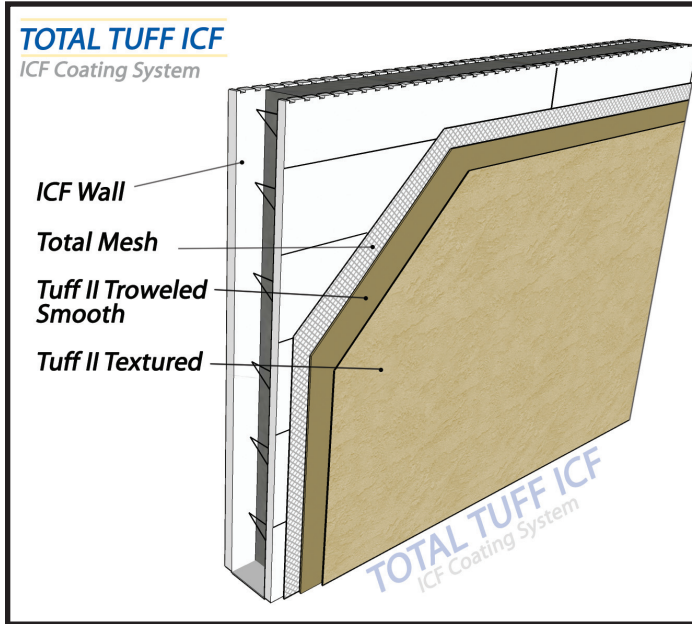


TOTAL TUFF ICF

Section 07240
Masterformat 2004 07-24-13

ICF Coating System

AMERICA'S EIFS AND STUCCO COMPANY!



Total Tuff ICF is where ease of application meets rock solid crack resistance and durability. Tuff II is a pre-mixed 100% acrylic that serves as both a base coat and a finish coat.

Simply apply Total Wall Sticky Mesh to a dust-free exterior ICF foam surface. Next, open a pail of Tuff II and you're ready to add color, texture and durable protection to your ICF wall. The first coat of Tuff II is trowel-applied and the second coat or texture pass can be trowel-applied, sprayed with a hopper gun or brushed. Tintable to a wide variety of colors and extremely flexible and crack resistant, Tuff II is always ready to perform on any ICF Wall!

- **Energy Efficiency:** Typical R 22
- **Substrates:** ICF (Insulated Concrete Form) walls
- **Design Elements:** Requires no control joints, can employ reveals and trims, can easily upgrade impact resistance using increased mesh weight
- **Sustainability:** Low VOC, low toxicity, recycled content
- **Impact Resistance:** Good

Detail Directory

Typical Total Tuff ICF System - Iso	TTICF-01	Pg 1
Typical Total Tuff ICF System -Top View	TTICF-01	Pg 1
Typical Window/Door Head (Flush)	TTICF-03.1	Pg 2
Typical Window/Door Head (Recessed)	TTICF-03.2	Pg 2
Typical Window/Door Head (Flush)	TTICF-03.3	Pg 3
Typical Window Sill (Flush)	TTICF-04.1	Pg 3
Typical Window Sill (Recessed)	TTICF-04.2	Pg 4
Typical Window Sill (Flush)	TTICF-04.3	Pg 4
Typical Window/Door Jamb (Flush)	TTICF-05.1	Pg 5
Typical Window/Door Jamb (Recessed)	TTICF-05.2	Pg 5
Typical Window/Door Jamb (Flush)	TTICF-05.3	Pg 6
Typical Expansion Joint	TTICF-06.1	Pg 6
Typical Control Joint	TTICF-06.2	Pg 7
Typical EIFS @ Masonry Sill	TTICF-08	Pg 7
Typical Pipe Penetration	TTICF-09	Pg 8
Typical Downspout Attachment	TTICF-10	Pg 8
Typical Vent Attachment	TTICF-11	Pg 9
Typical Grade Termination	TTICF-13	Pg 9
Typical Window Opening Preparation	TTICF-14	Pg 10

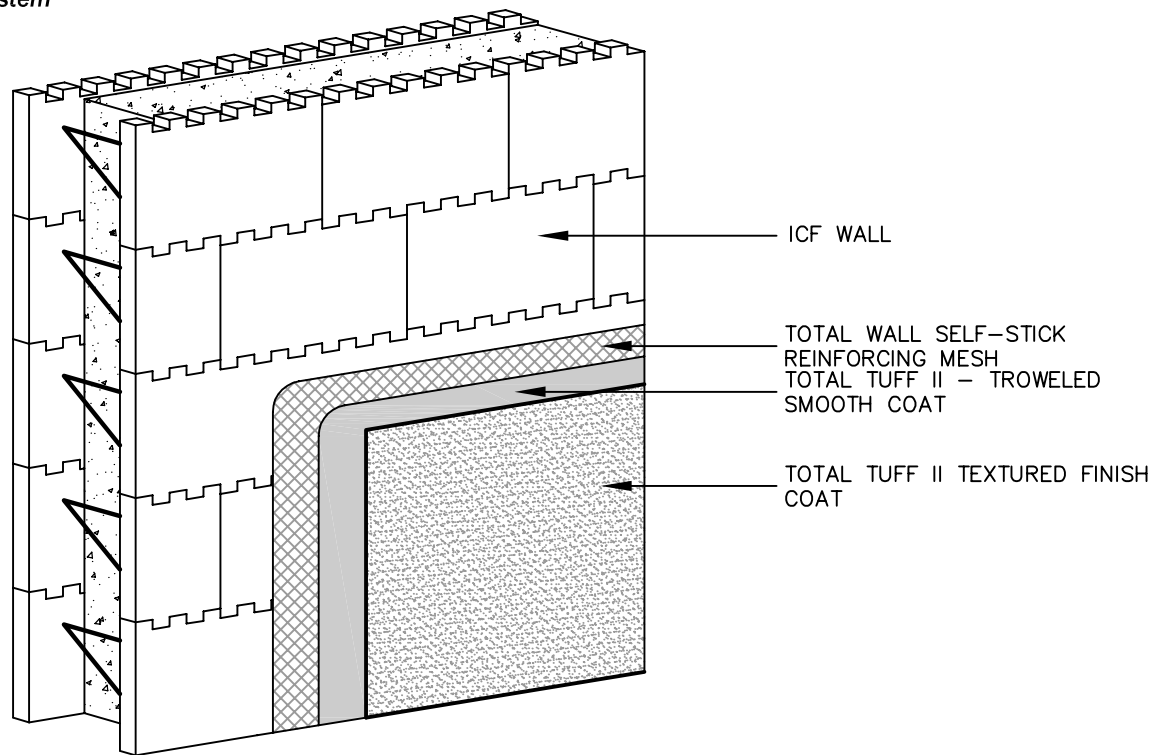
TOTAL WALL
AMERICA'S EIFS AND STUCCO COMPANY!

Ph 888.702.9915 Fax 888.702.9916 totalwall.com

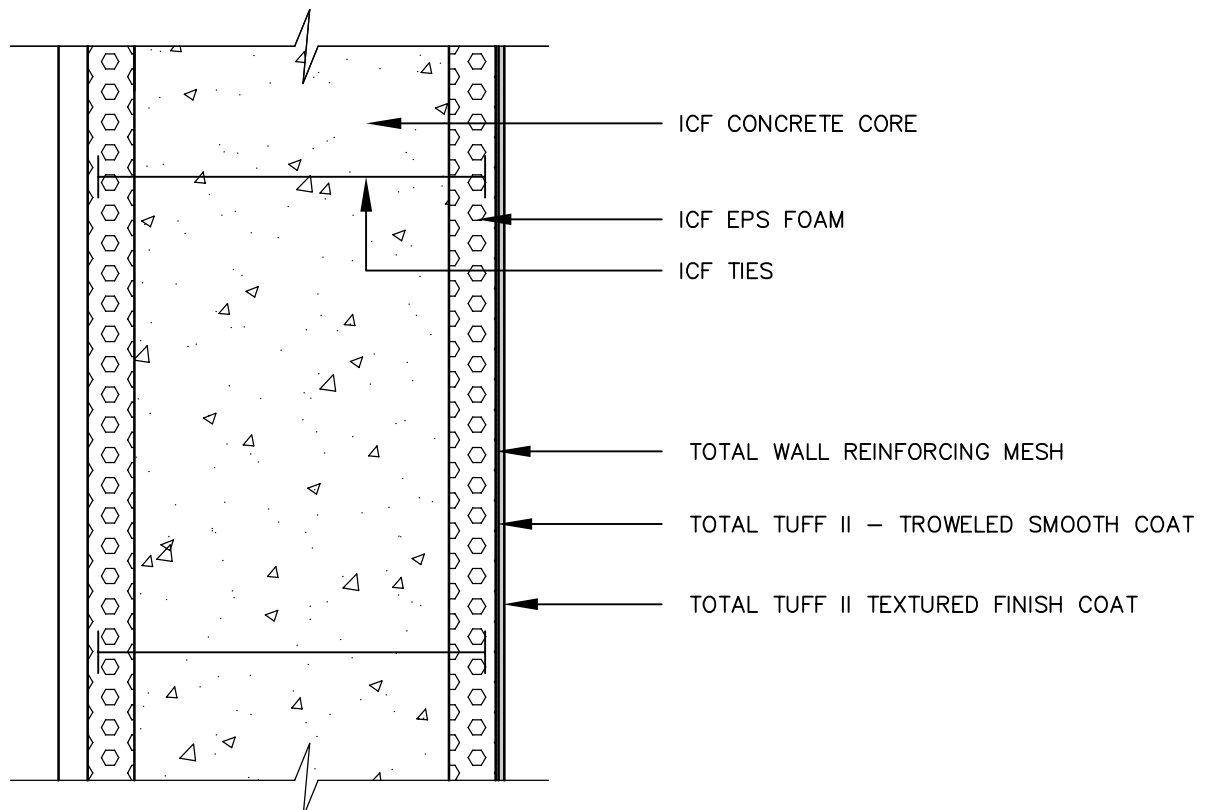
TOTAL WALL

America's EIFS And Stucco Company!

TOTAL TUFF ICF ICF Coating System



TTICF-01 TYPICAL TOTAL TUFF ICF - ISOMETRIC



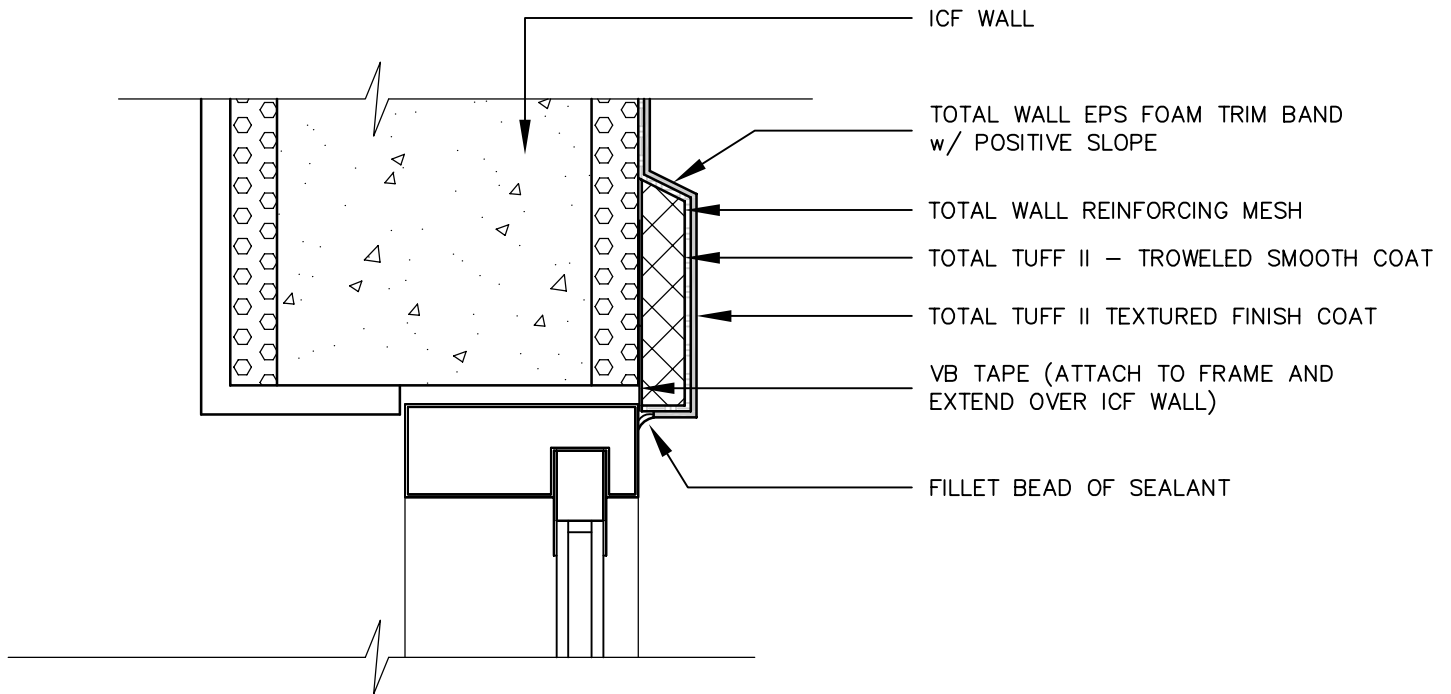
TTICF-02 TYPICAL TOTAL TUFF ICF - PLAN VIEW

TOTAL WALL

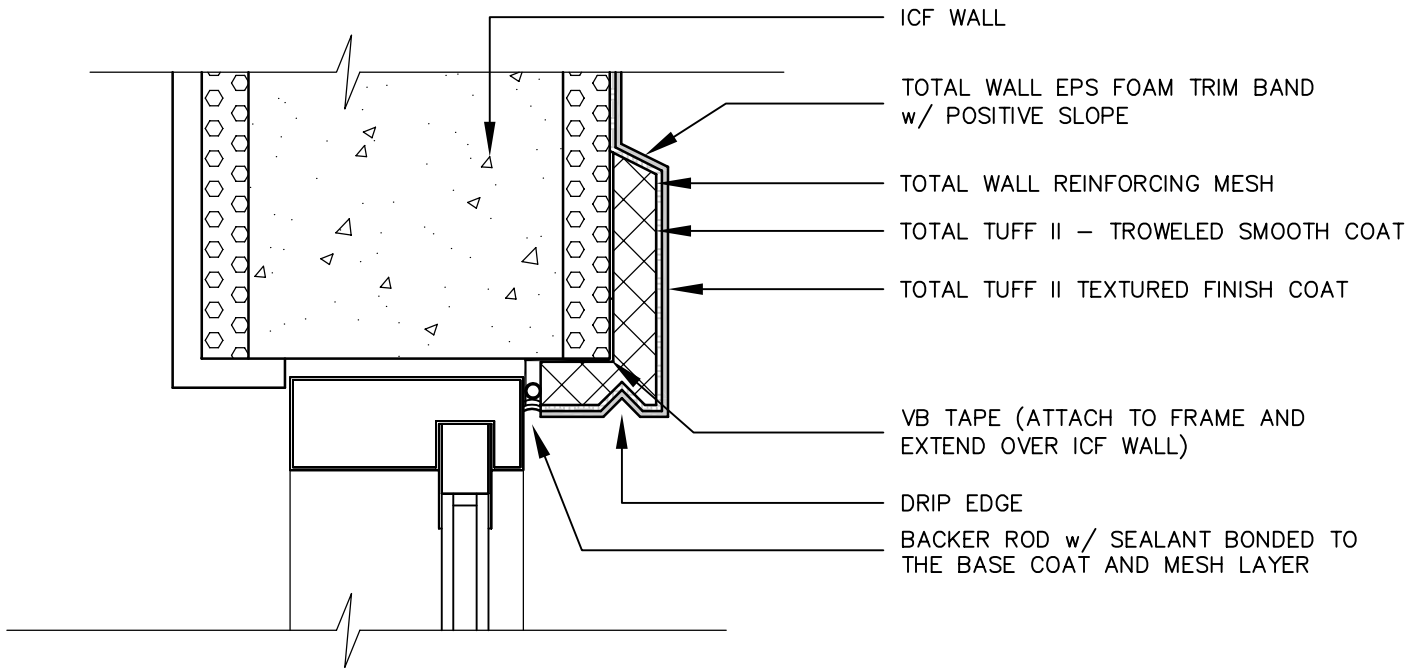
America's EIFS And Stucco Company!

TOTAL TUFF ICF

ICF Coating System



TTICF-03.1 TYPICAL WINDOW/DOOR HEAD (FLUSH)



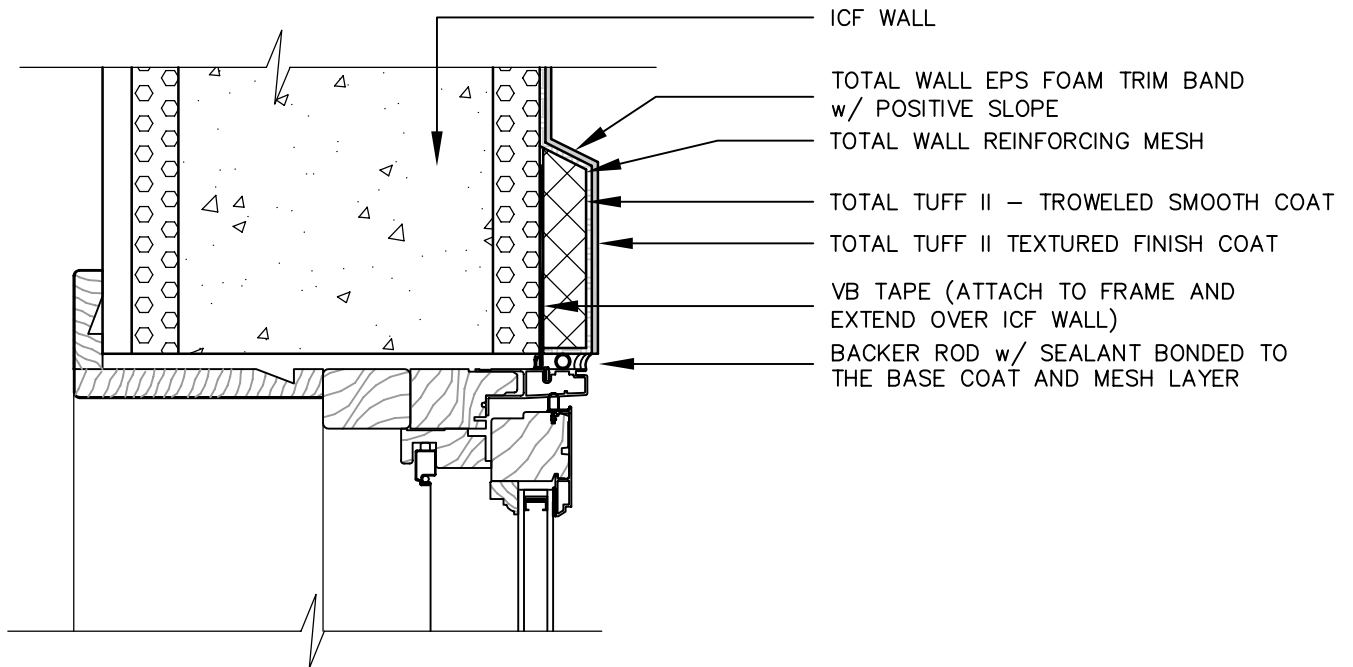
TTICF-03.2 TYPICAL WINDOW/DOOR HEAD (RECESSED)

TOTAL WALL

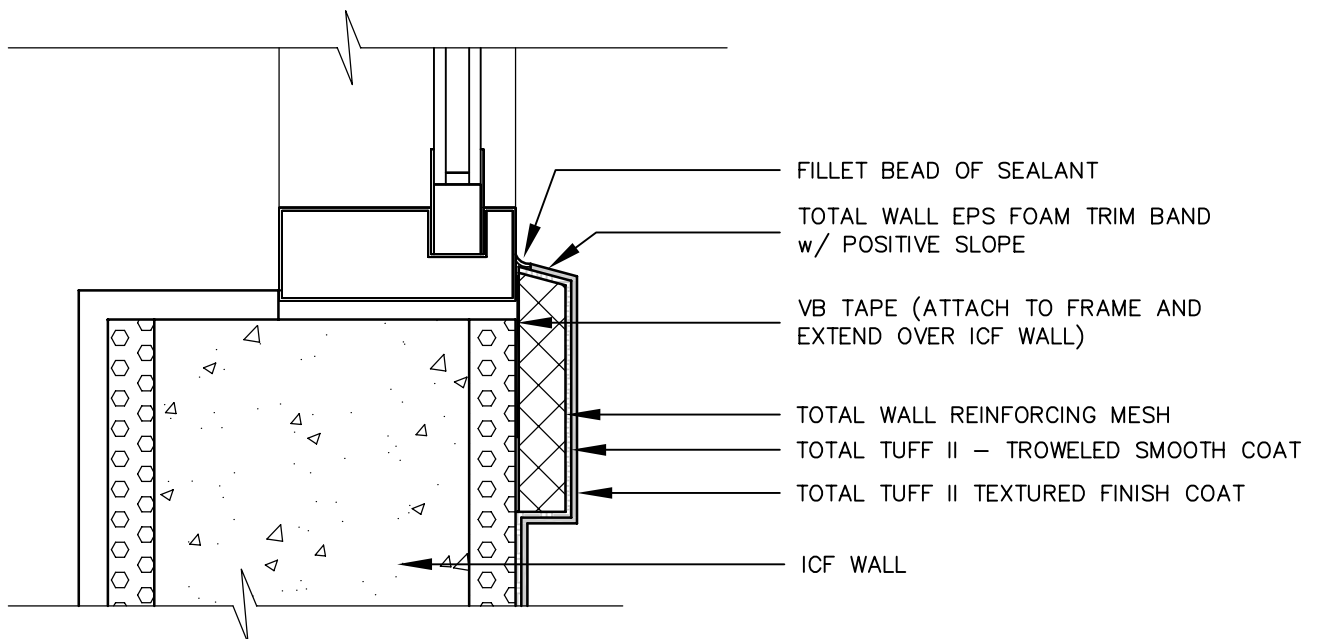
America's EIFS And Stucco Company!

TOTAL TUFF ICF

ICF Coating System



TTICF-03.3 TYPICAL WINDOW/DOOR HEAD (FLUSH)

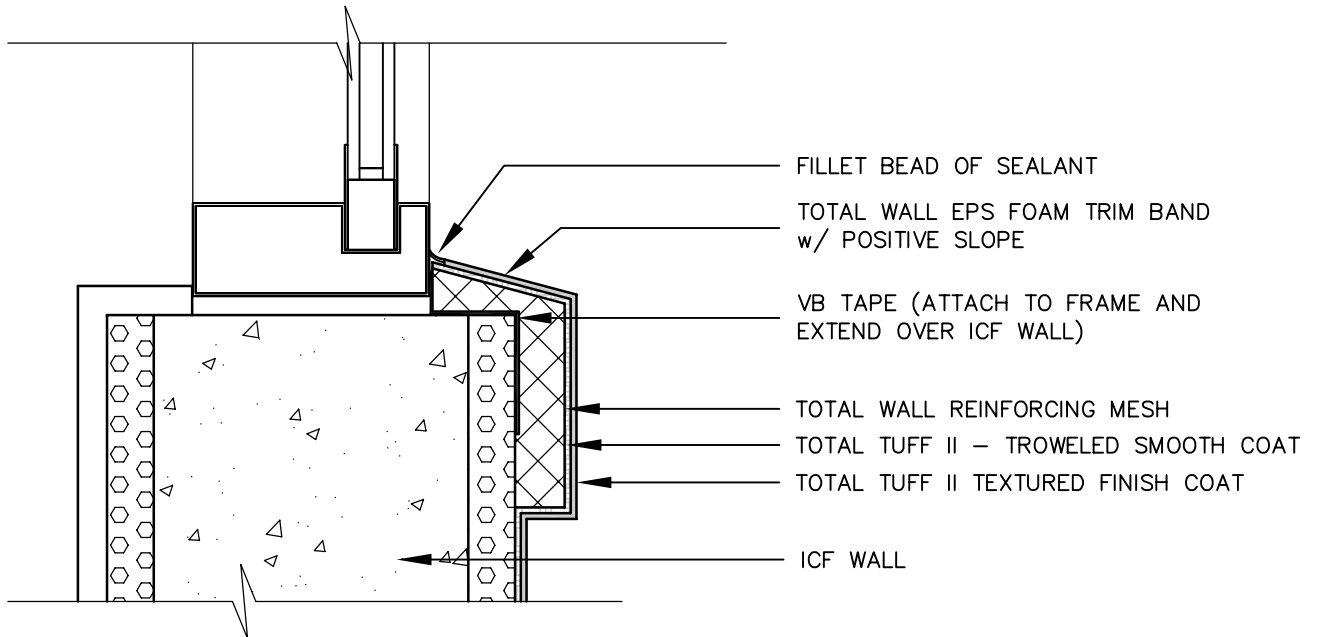


TTICF-04.1 TYPICAL WINDOW SILL (FLUSH)

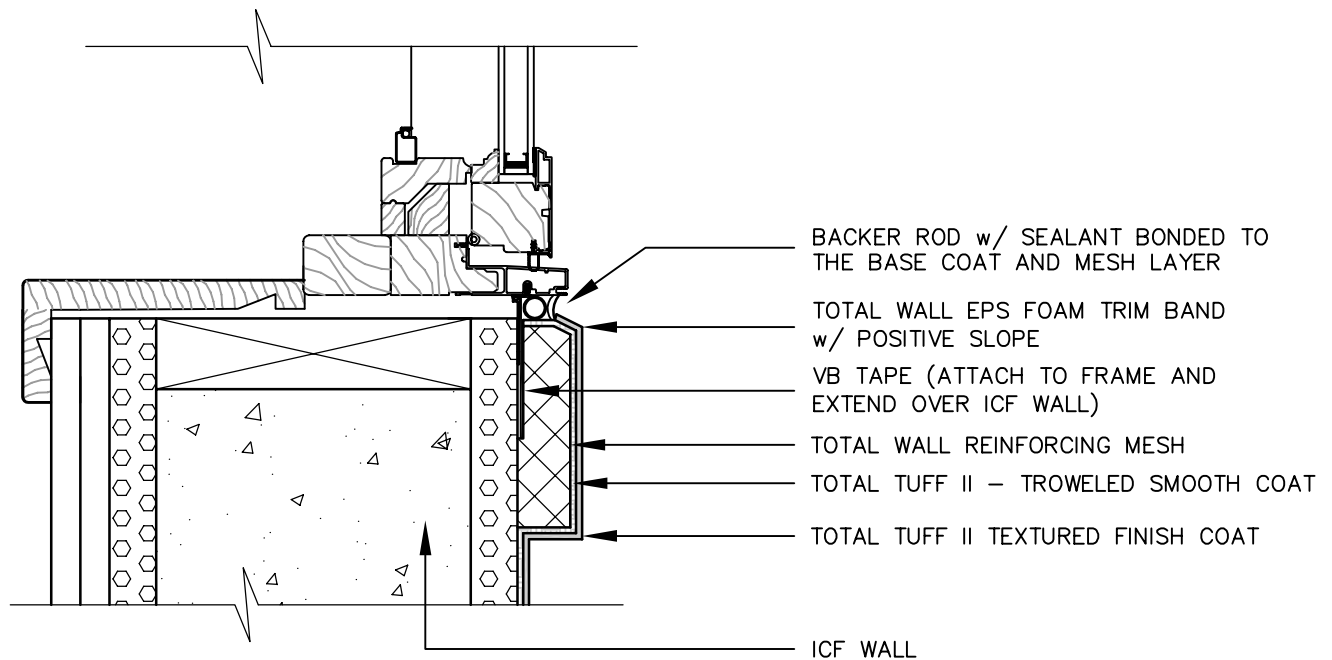
TOTAL WALL

America's EIFS And Stucco Company!

TOTAL TUFF ICF ICF Coating System



TTICF-04.2 TYPICAL WINDOW SILL (RECESSED)



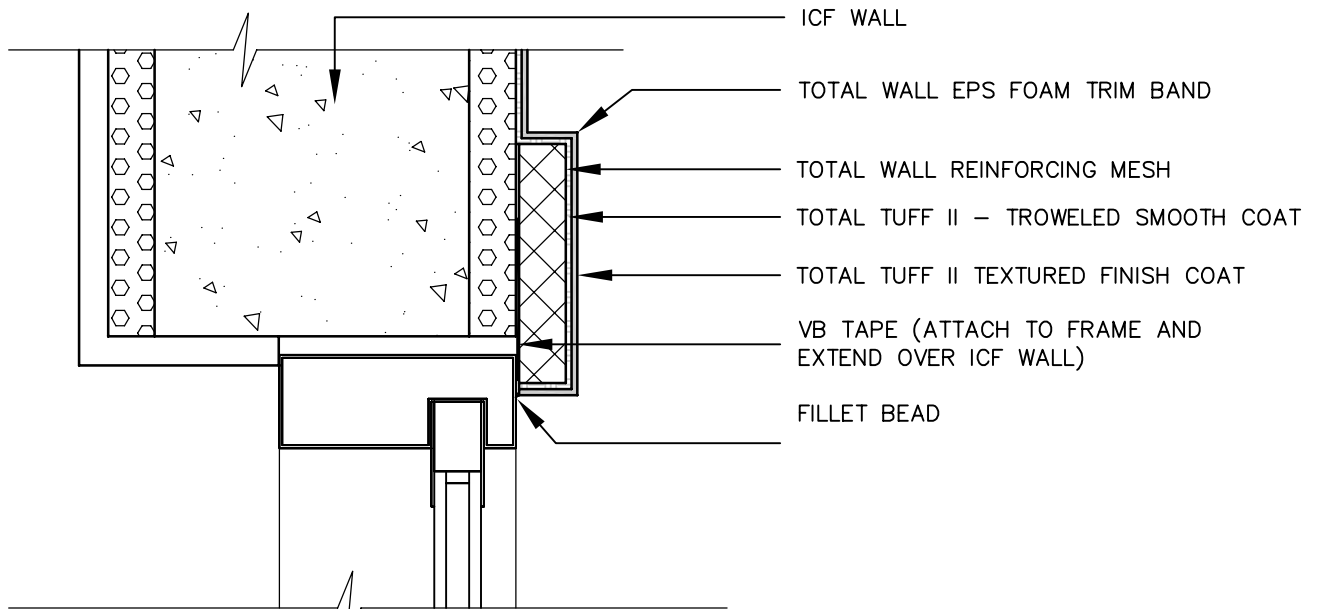
TTICF-04.3 TYPICAL WINDOW SILL (FLUSH)

TOTAL WALL

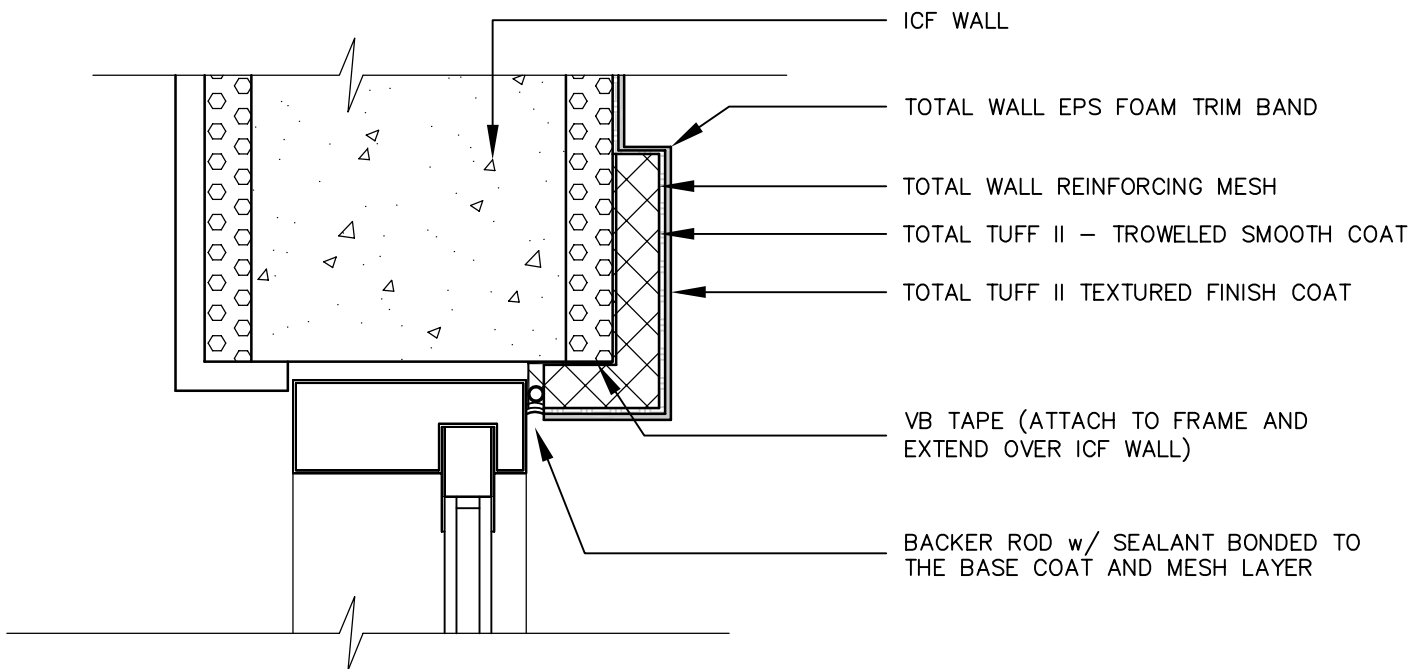
America's EIFS And Stucco Company!

TOTAL TUFF ICF

ICF Coating System



TTICF-05.1 TYPICAL WINDOW /DOOR JAMB (FLUSH) - TOP VIEW



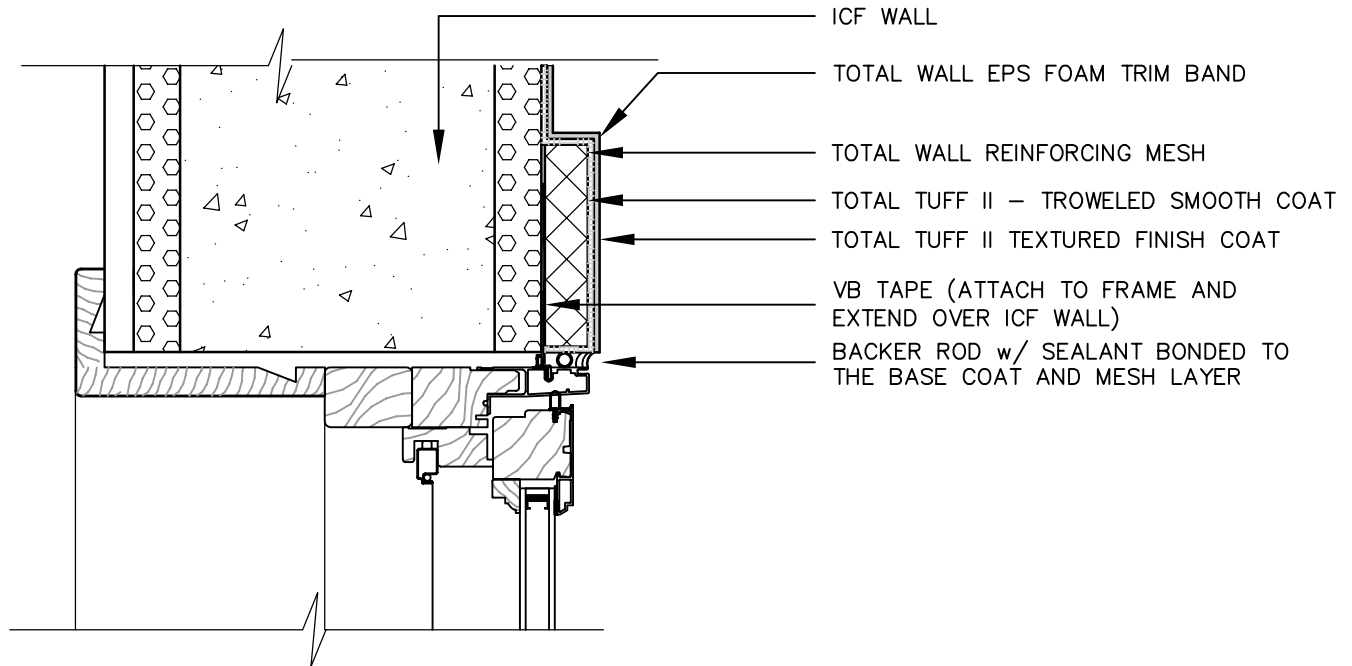
TTICF-05.2 TYPICAL WINDOW/DOOR JAMB (RECESSED) - TOP VIEW

TOTAL WALL

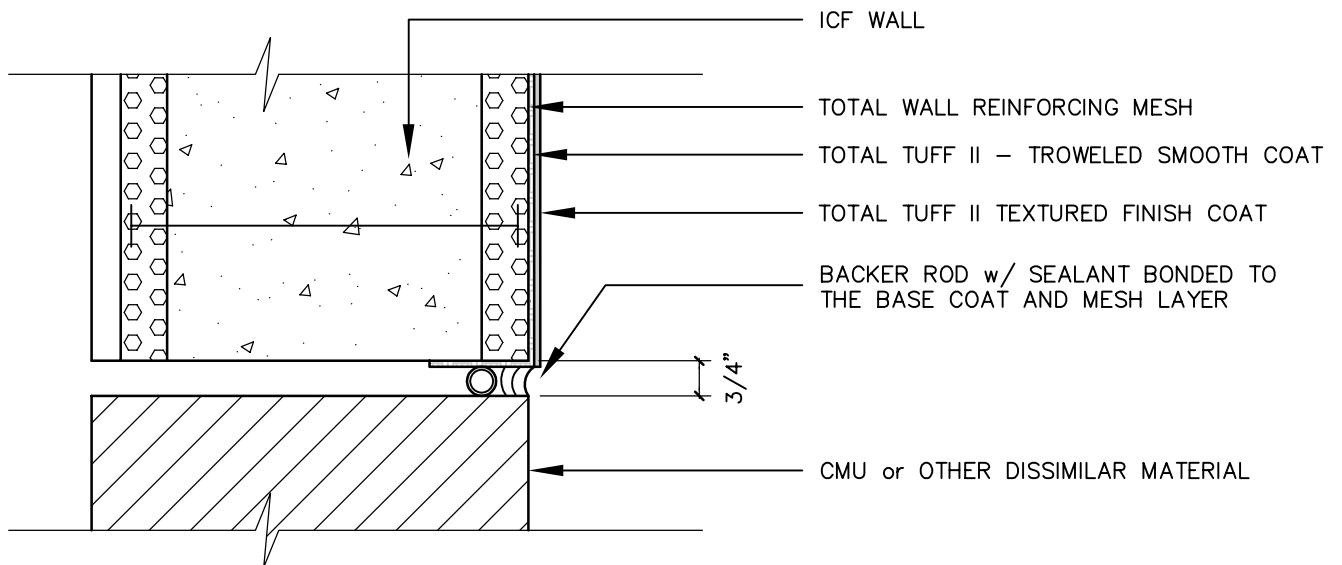
America's EIFS And Stucco Company!

TOTAL TUFF ICF

ICF Coating System



TTICF-05.3 TYPICAL WINDOW /DOOR JAMB (FLUSH) - TOP VIEW



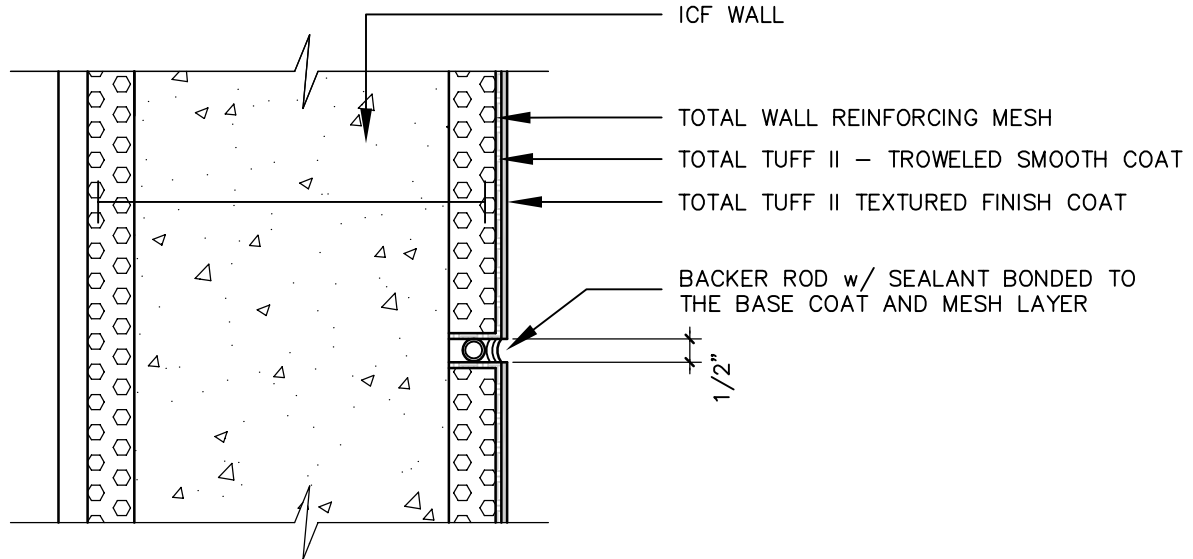
TTICF-06.1 TYPICAL EXPANSION JOINT

TOTAL WALL

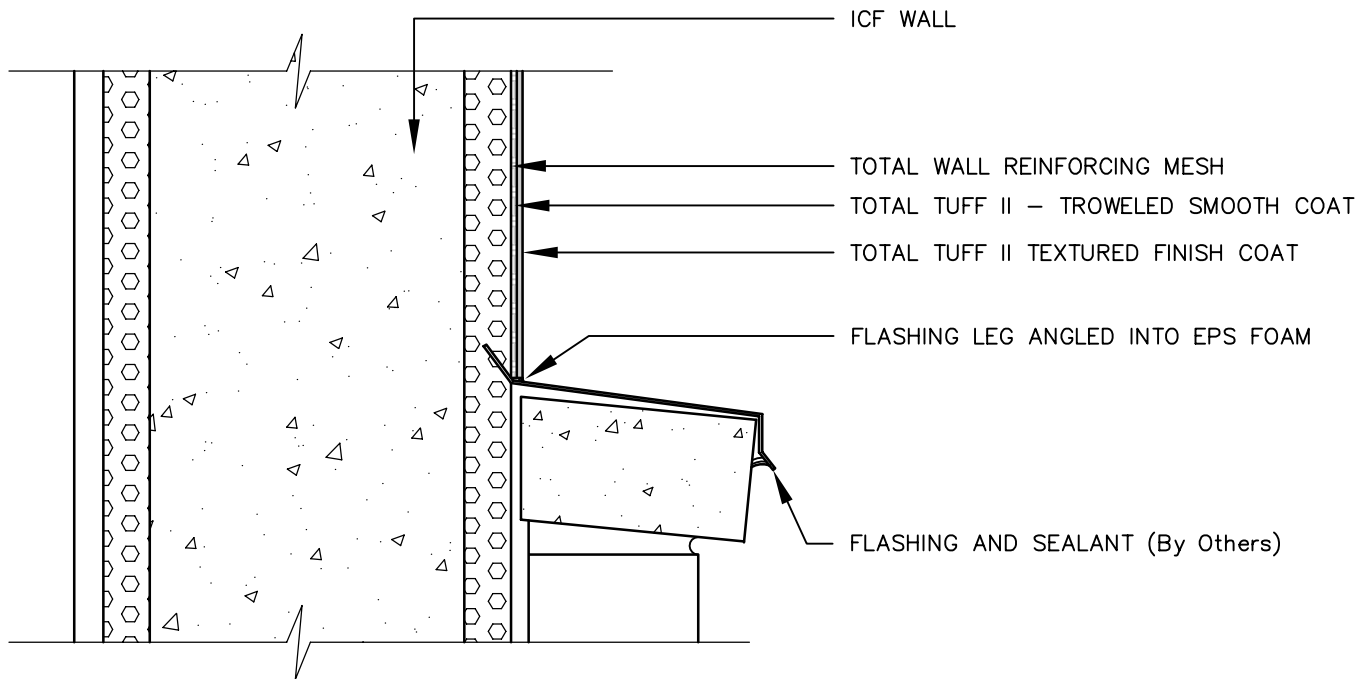
America's EIFS And Stucco Company!

TOTAL TUFF ICF

ICF Coating System



TTICF-06.2 TYPICAL CONTROL JOINT



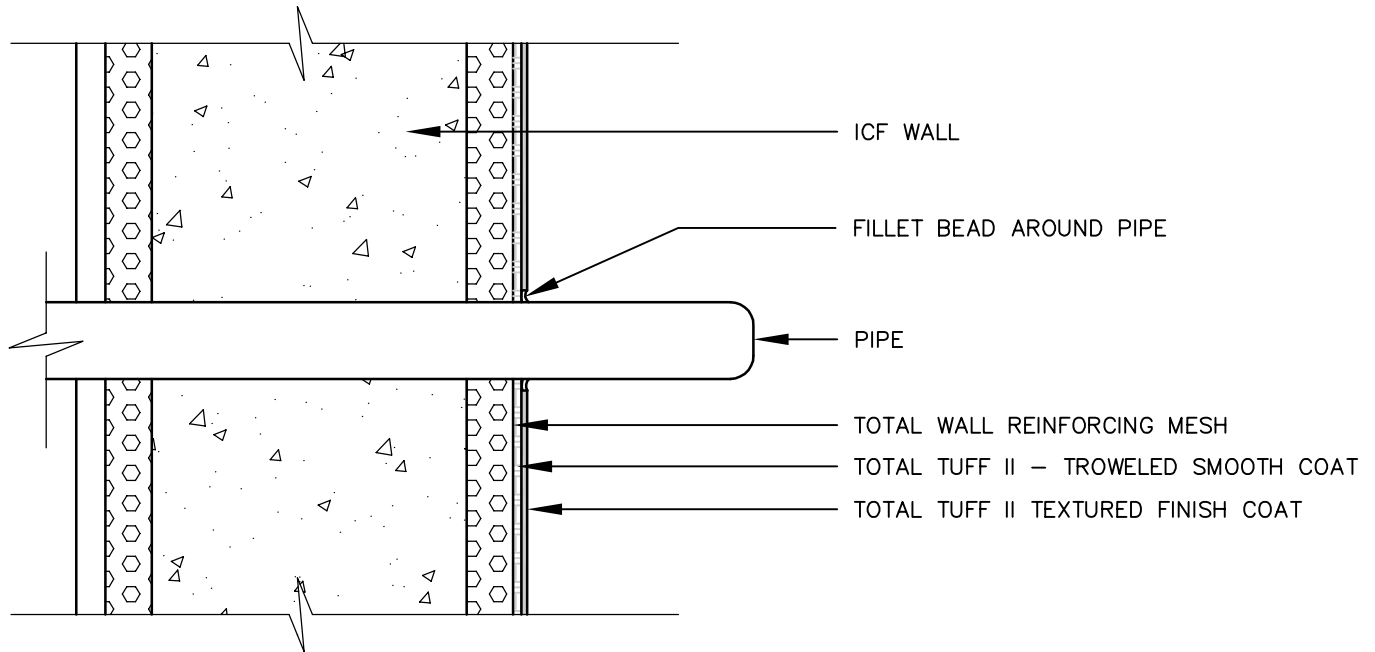
TTICF-08 TYPICAL EIFS @ MASONRY SILL

TOTAL WALL

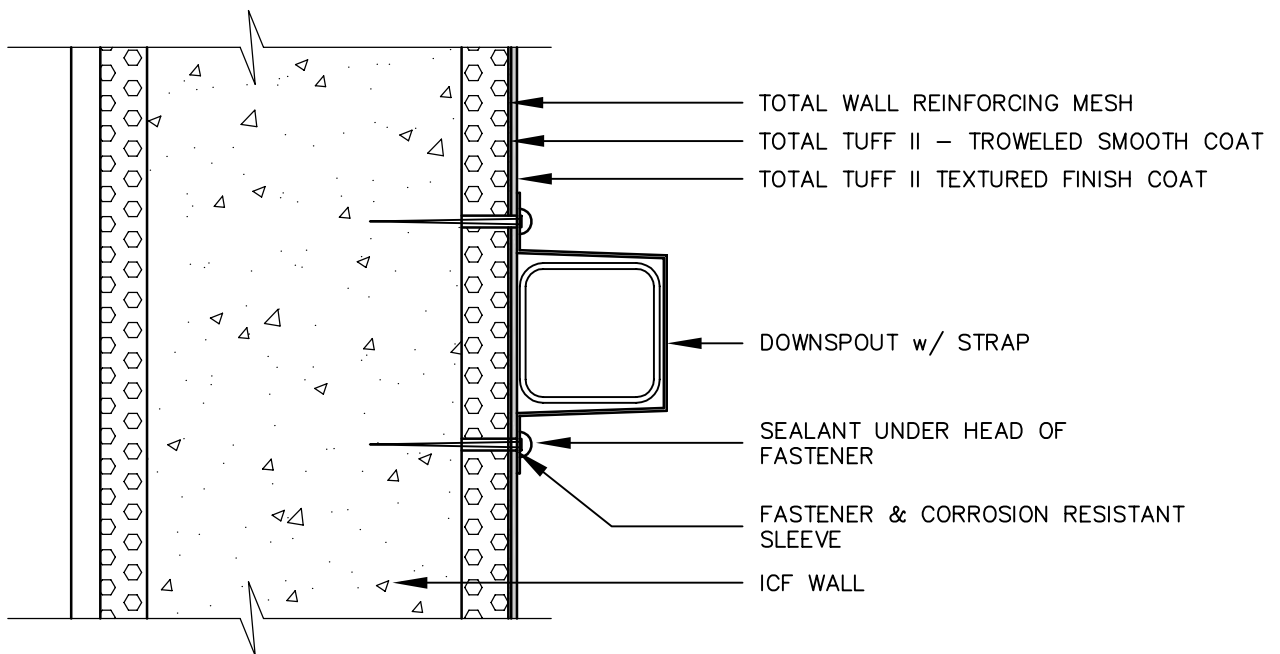
America's EIFS And Stucco Company!

TOTAL TUFF ICF

ICF Coating System



TTICF-09 TYPICAL PIPE PENETRATION



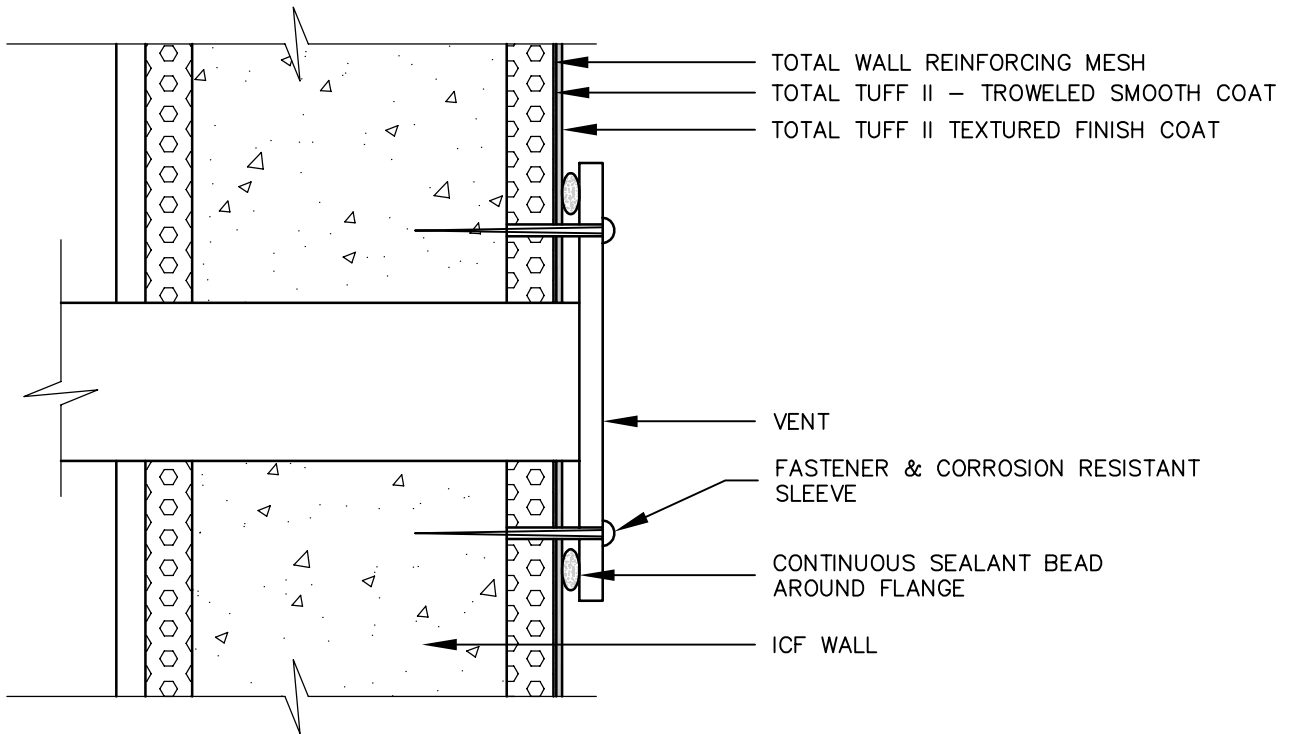
TTICF-10 TYPICAL DOWNSPOUT ATTACHMENT

TOTAL WALL

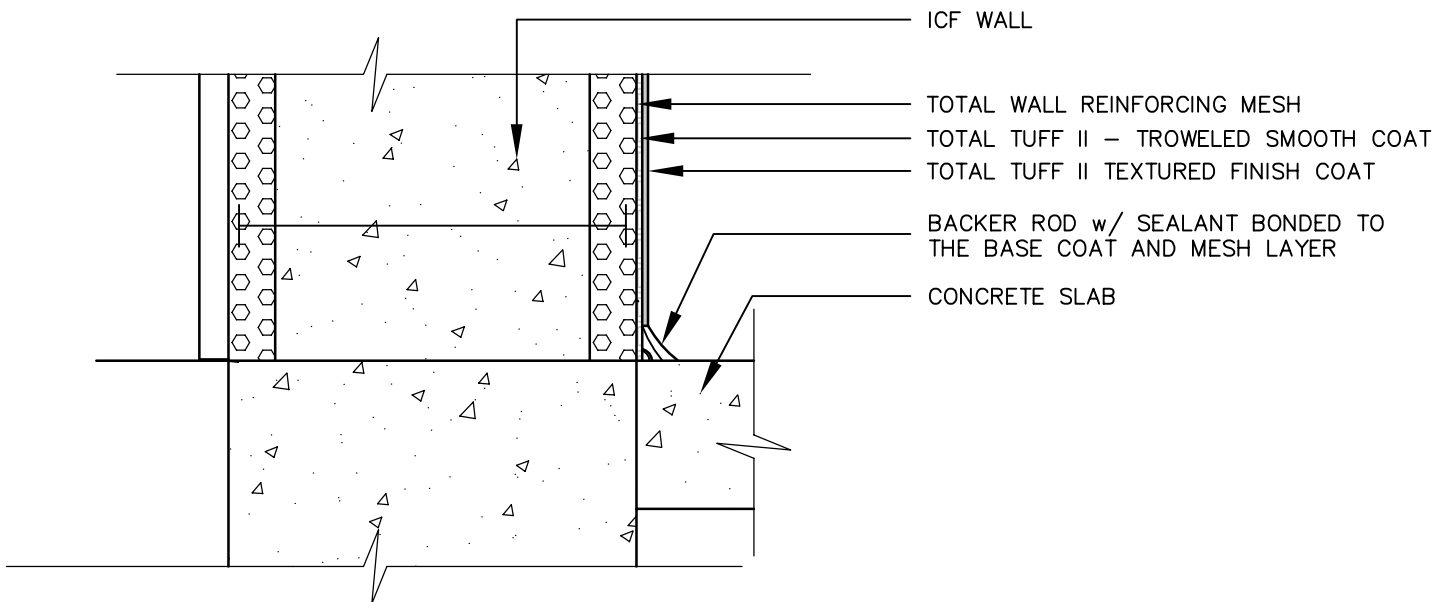
America's EIFS And Stucco Company!

TOTAL TUFF ICF

ICF Coating System



TTICF-11 TYPICAL VENT ATTACHMENT



TTICF-13 TYPICAL GRADE TERMINATION DETAIL

TOTAL WALL

America's EIFS And Stucco Company!

TOTAL TUFF ICF ICF Coating System

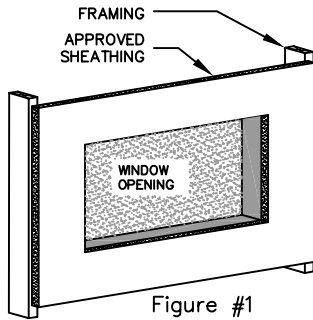


Figure #1

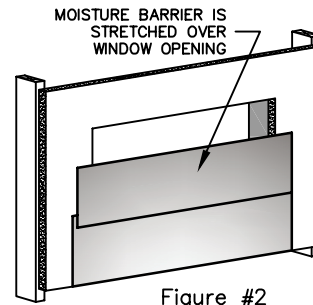


Figure #2

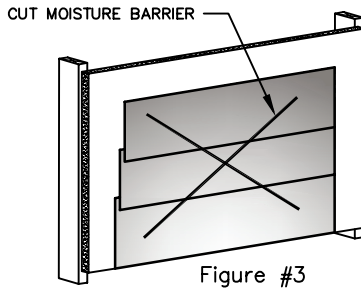


Figure #3

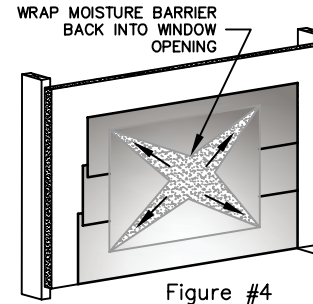


Figure #4

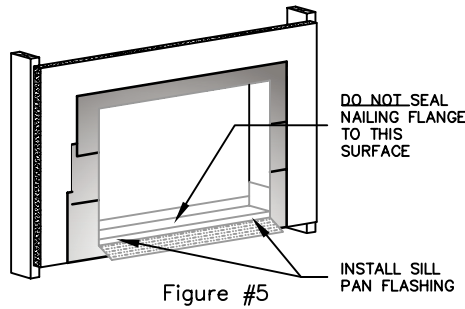


Figure #5

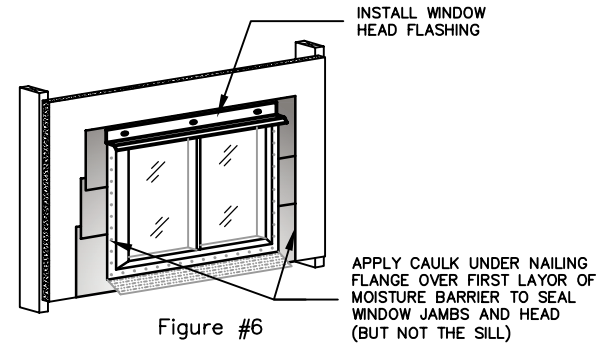


Figure #6

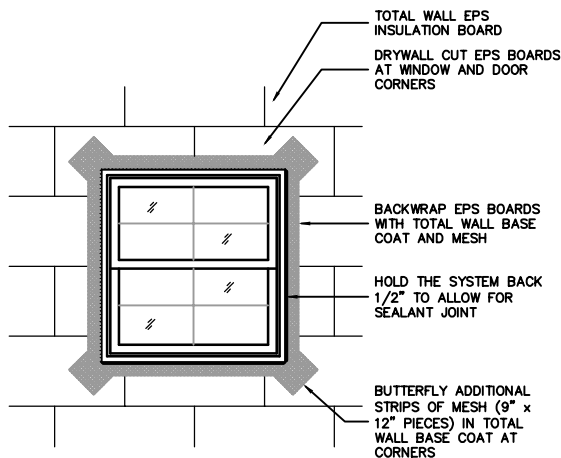


Figure #7

TTICF-14 TYPICAL WINDOW OPENING PREPARATION