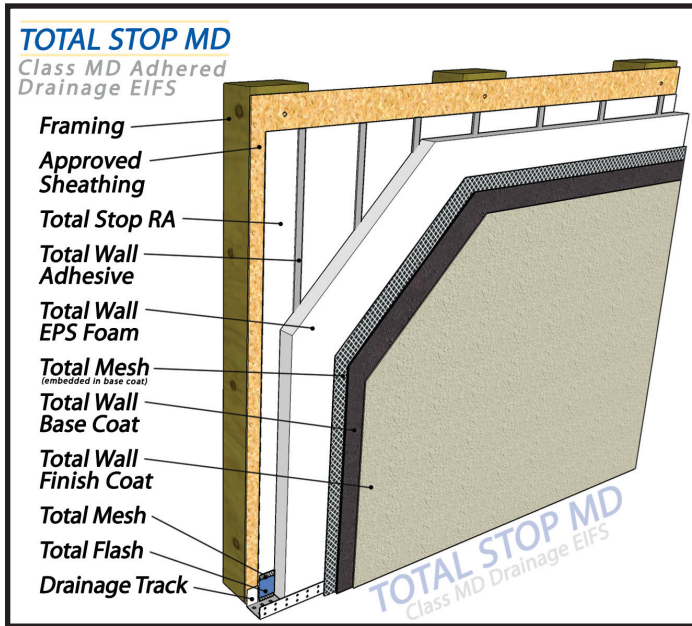


TOTAL STOP MD

□ **Section 07240** □
Masterformat 2004 07-24-19

Adhered Drainage EIFS With Roller Applied Membrane

AMERICA'S EIFS AND STUCCO COMPANY!



A moisture drainable EIFS that uses Total Stop RA, a liquid-applied membrane moisture barrier to seal and protect the substrate from water intrusion. This system can be used on any substrate, including wood or gypsum sheathings, and is installed without mechanical fasteners, thereby eliminating penetrations through the moisture barrier and effectively improving installation performance.

Total Stop MD is ideal for use on any residential or commercial project demanding advanced moisture drainable design protection.

- **Energy Efficiency:** R 2.85 to R 15.2 (3/4" to 4" thickness)
- **Substrates:** Plywood, OSB, gypsum, masonry, cement board
- **Design Elements:** Requires no control joints, can employ reveals and trims, can correct minor wall deflections, easily upgraded impact resistance using increased mesh weight
- **Sustainability:** Low VOC, low toxicity, recycled content

Detail Directory

Typical Total Stop MD System - Isometric	TSMD-01	Pg 1
Typical Total Stop MD System - Top View	TSMD-02	Pg 1
Typical Window/Door Head (Flush)	TSMD-03.1	Pg 2
Typical Window/Door Head (Recessed)	TSMD-03.2	Pg 2
Typical Window/Door Head (Flush)	TSMD-03.3	Pg 3
Typical Window/Sill (Flush)	TSMD-04.1	Pg 3
Typical Window Sill (Recessed)	TSMD-04.2	Pg 4
Typical Window Sill (Flush)	TSMD-04.3	Pg 4
Typical Window/Door Jamb (Flush)	TSMD-05.1	Pg 5
Typical Window/Door Jamb (Recessed)	TSMD-05.2	Pg 5
Typical Window/Door Jamb (Flush)	TSMD-05.3	Pg 6
Typical Expansion Joint	TSMD-06	Pg 6
Typical "V" Groove	TSMD-07	Pg 7
Typical EIFS @ Masonry Sill	TSMD-08.1	Pg 7
Typical EIFS @ Masonry Sill	TSMD-08.2	Pg 8
Typical Pipe Penetration	TSMD-09	Pg 8
Typical Downspout Attachment	TSMD-10	Pg 9
Typical Vent Attachment	TSMD-11	Pg 9
Typical Kickout Flashing	TSMD-12	Pg 10
Typical Window Opening Preparation	TSMD-13	Pg 11

TOTAL WALL
AMERICA'S EIFS AND STUCCO COMPANY!

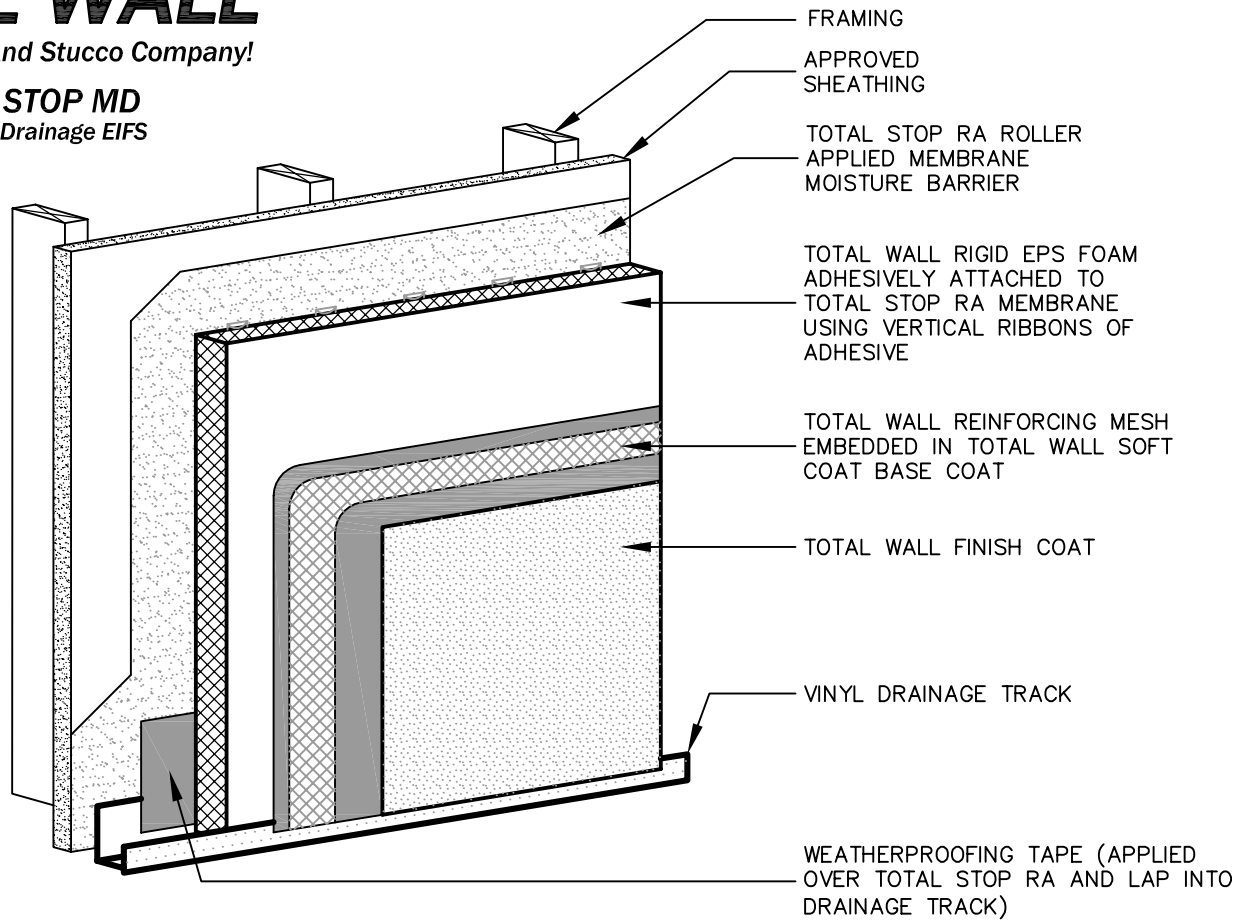
Ph 888.702.9915 Fax 888.702.9916 totalwall.com

TOTAL WALL

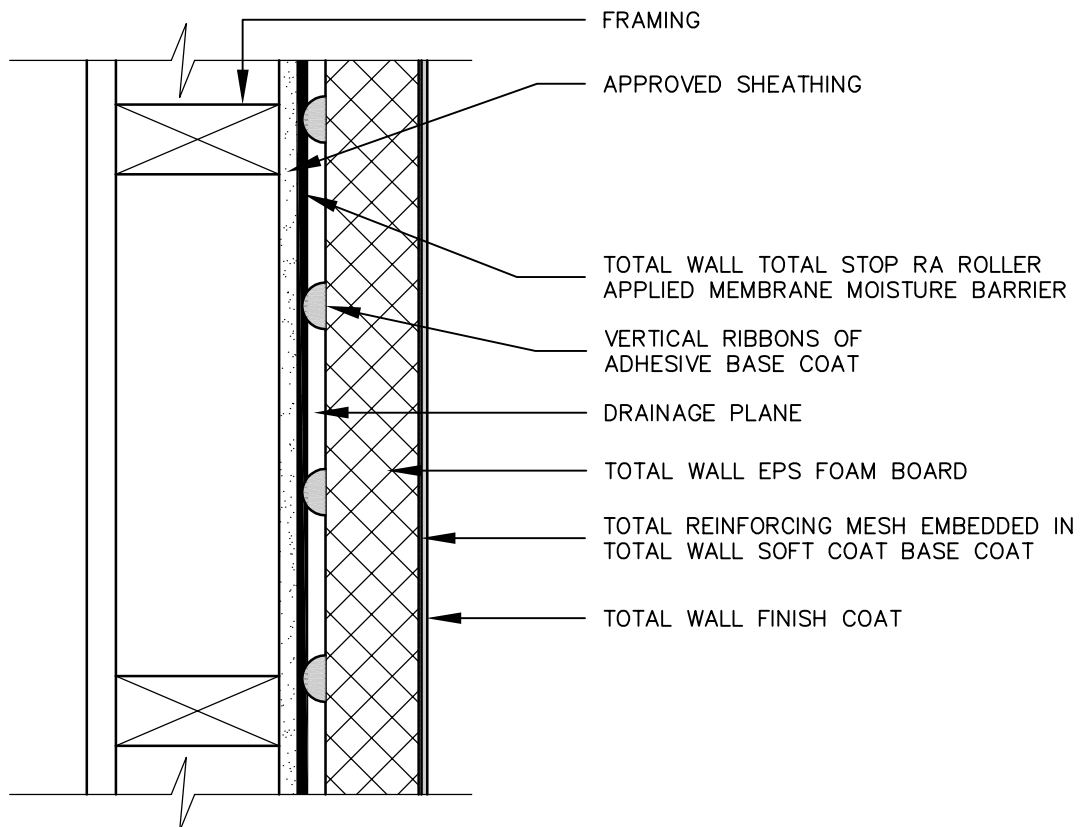
America's EIFS And Stucco Company!

TOTAL STOP MD

Class MD Drainage EIFS



TSMD-01 TYPICAL TOTAL STOP CLASS MD DRAINAGE - ISOMETRIC



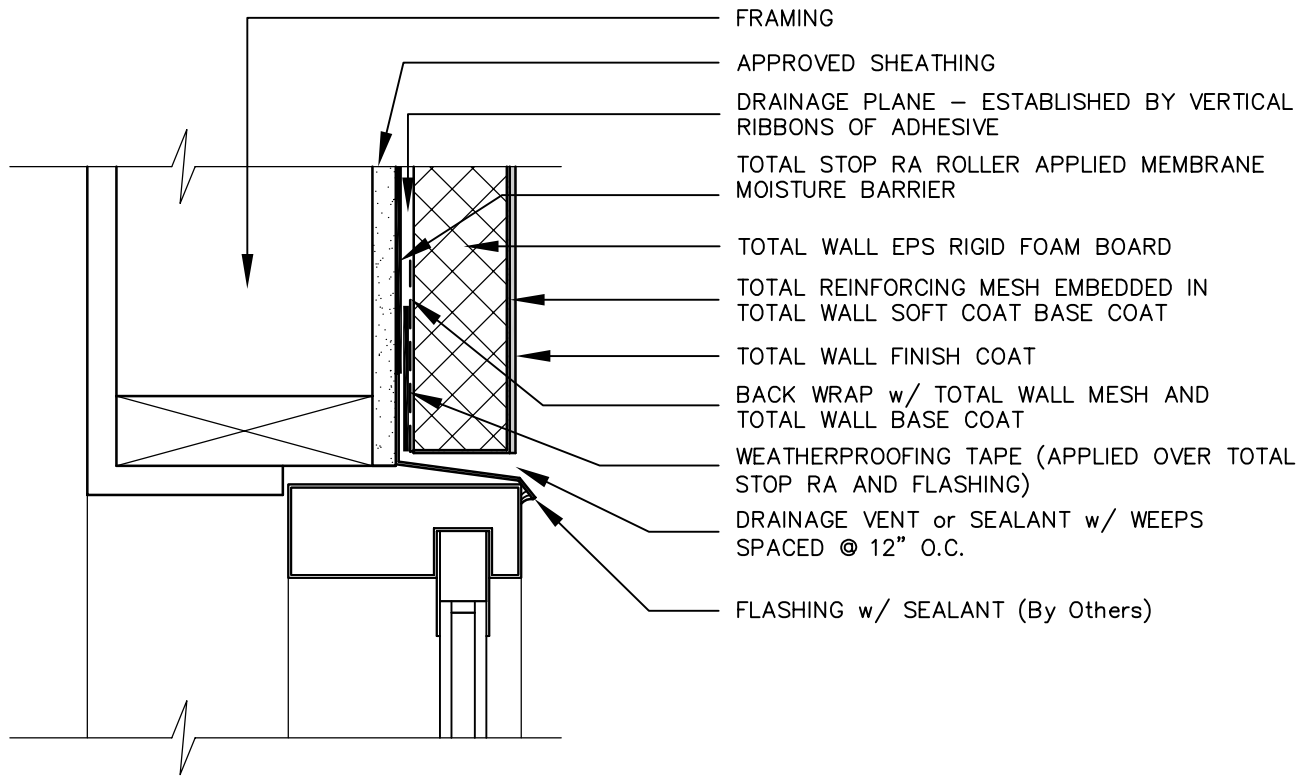
TSMD-02 TYPICAL TOTAL STOP CLASS MD DRAINAGE - TOP VIEW

TOTAL WALL

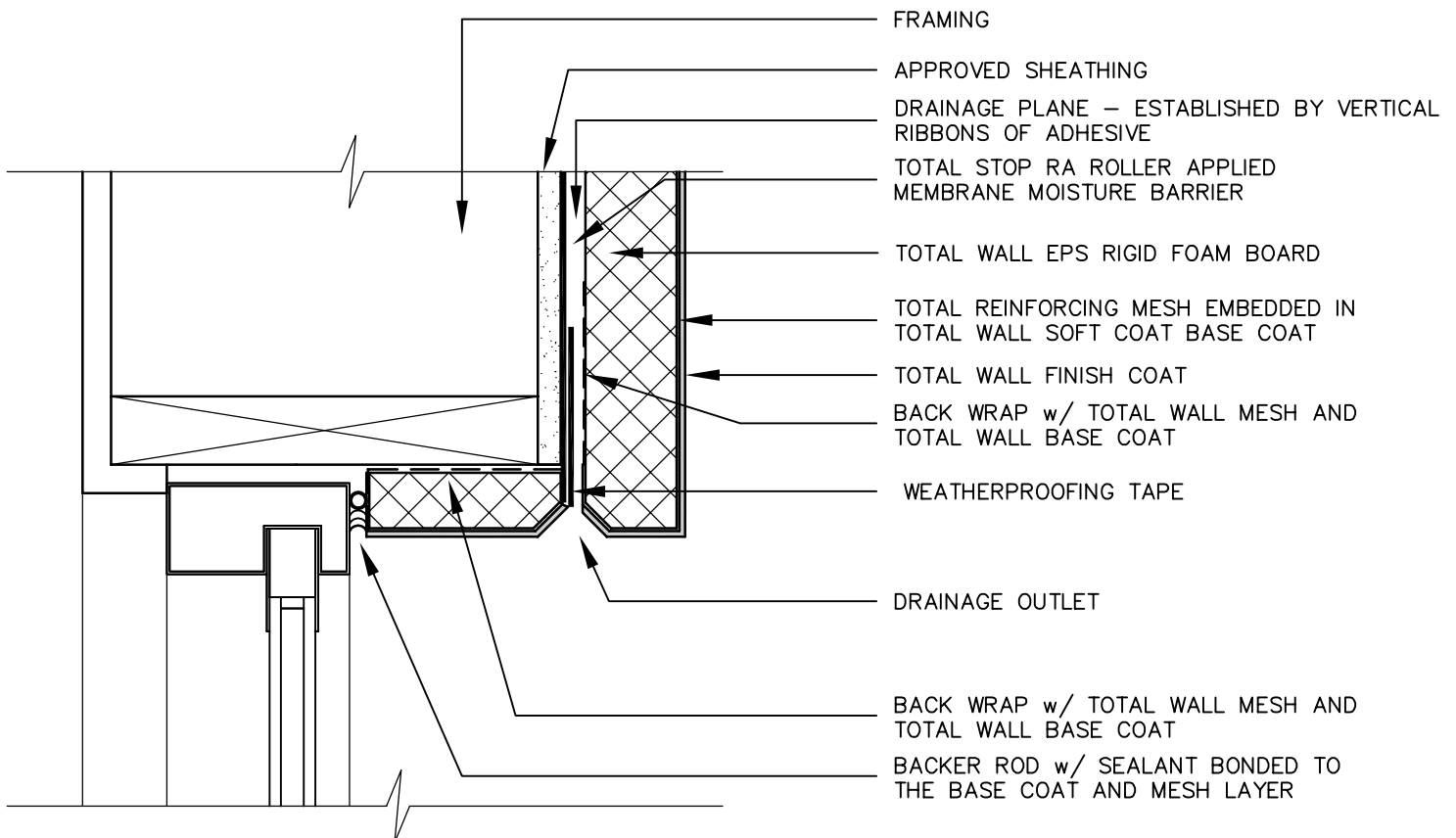
America's EIFS And Stucco Company!

TOTAL STOP MD

Class MD Drainage EIFS



TSMD-03.1 TYPICAL WINDOW/DOOR HEAD (FLUSH)



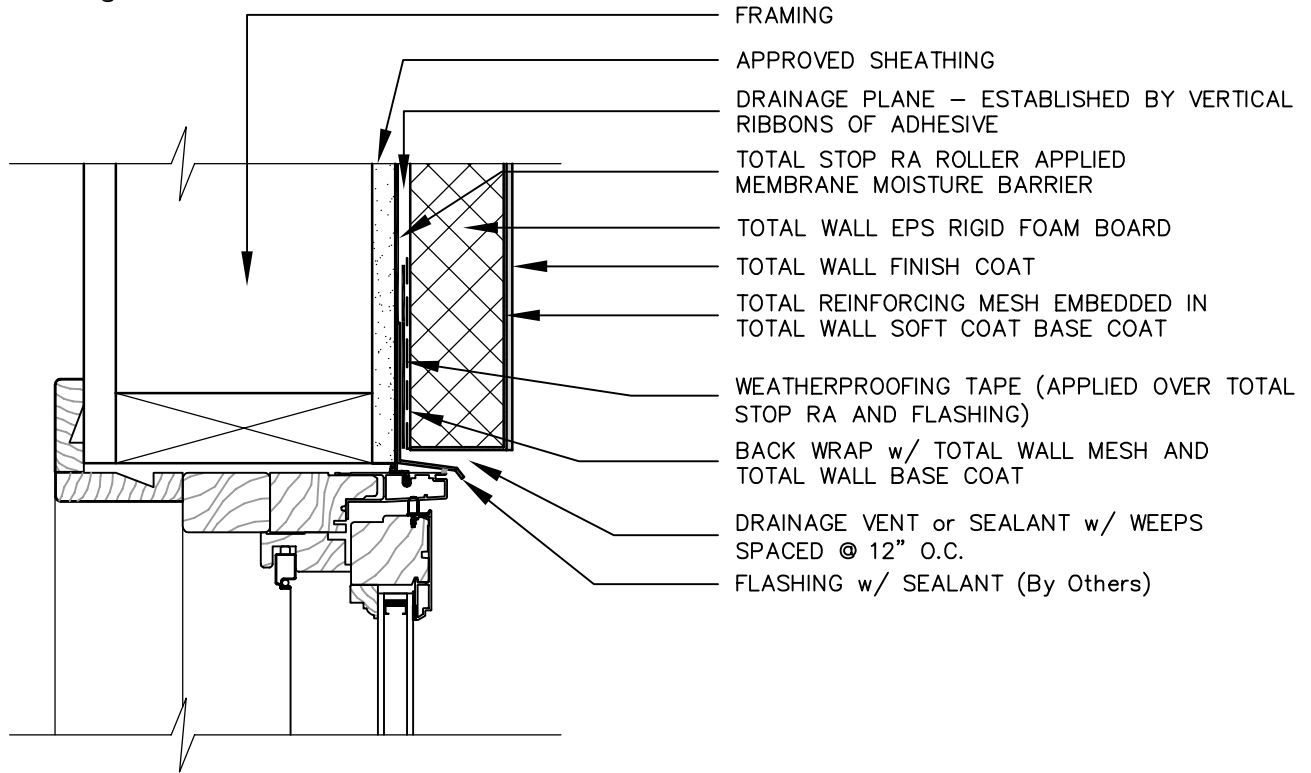
TSMD-03.2 TYPICAL WINDOW/DOOR HEAD (RECESSED)

TOTAL WALL

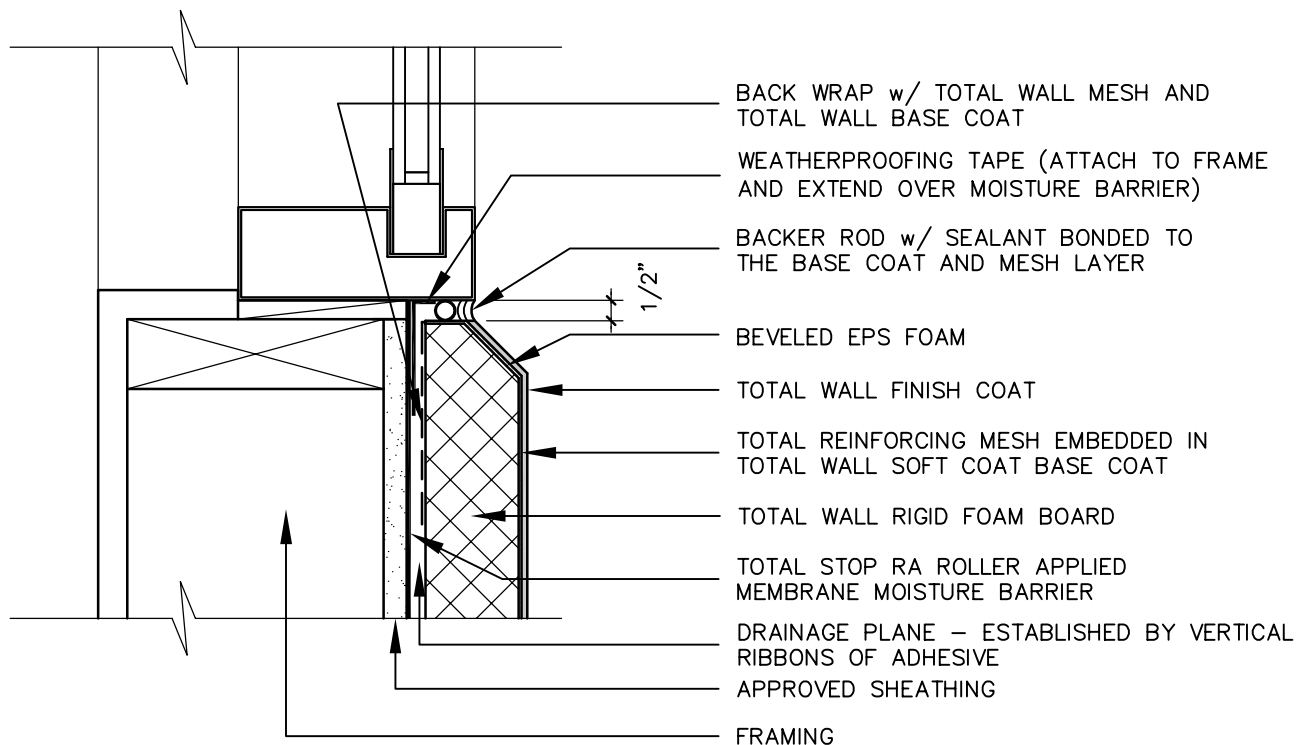
America's EIFS And Stucco Company!

TOTAL STOP MD

Class MD Drainage EIFS



TSMD-03.3 TYPICAL WINDOW/DOOR HEAD (FLUSH)



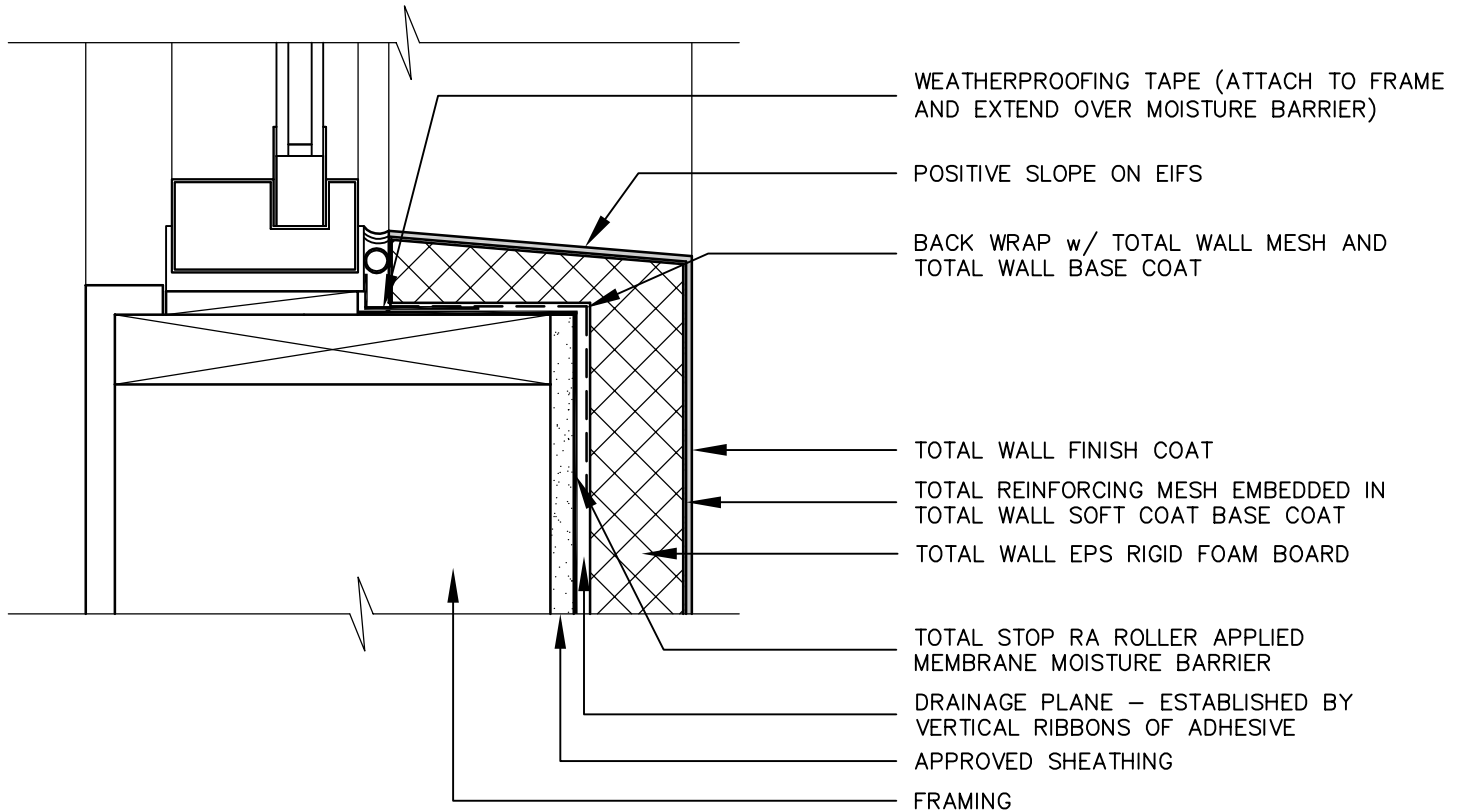
TSMD-04.1 TYPICAL WINDOW SILL (FLUSH)

TOTAL WALL

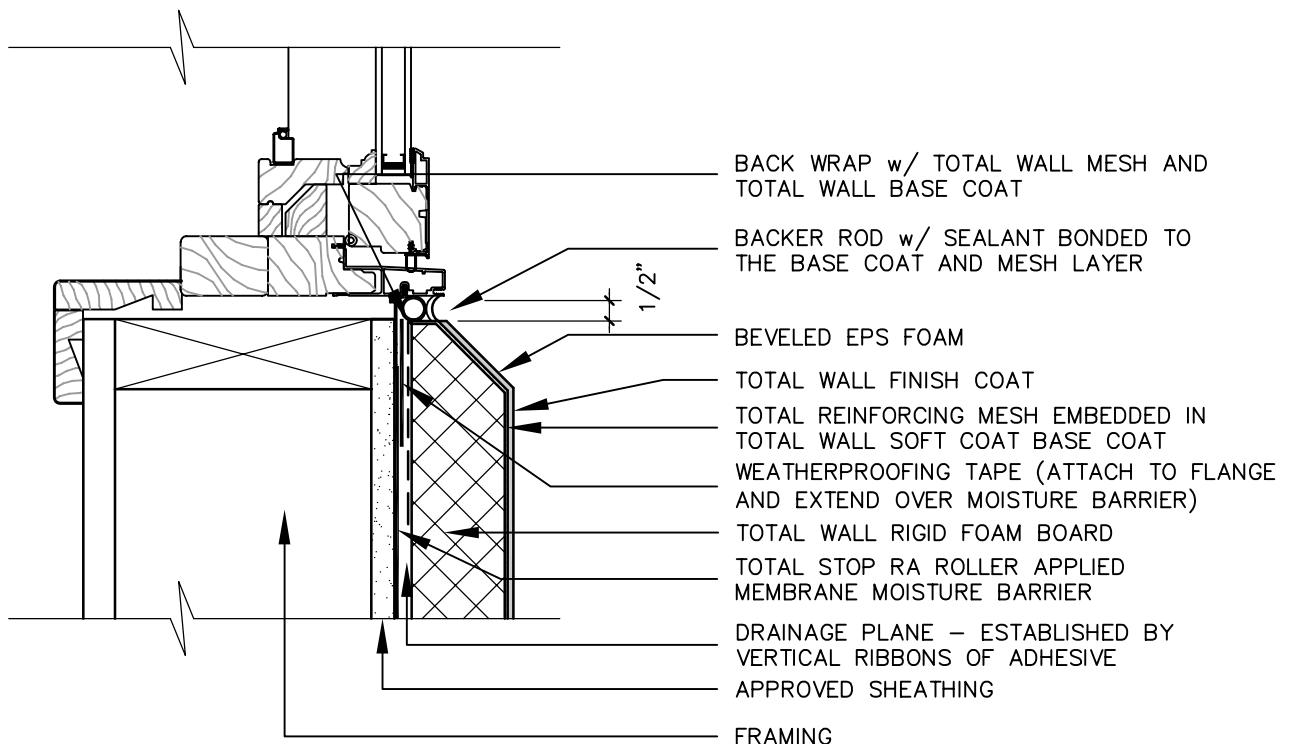
America's EIFS And Stucco Company!

TOTAL STOP MD

Class MD Drainage EIFS



TSMD-04.2 TYPICAL WINDOW SILL (RECESSED)



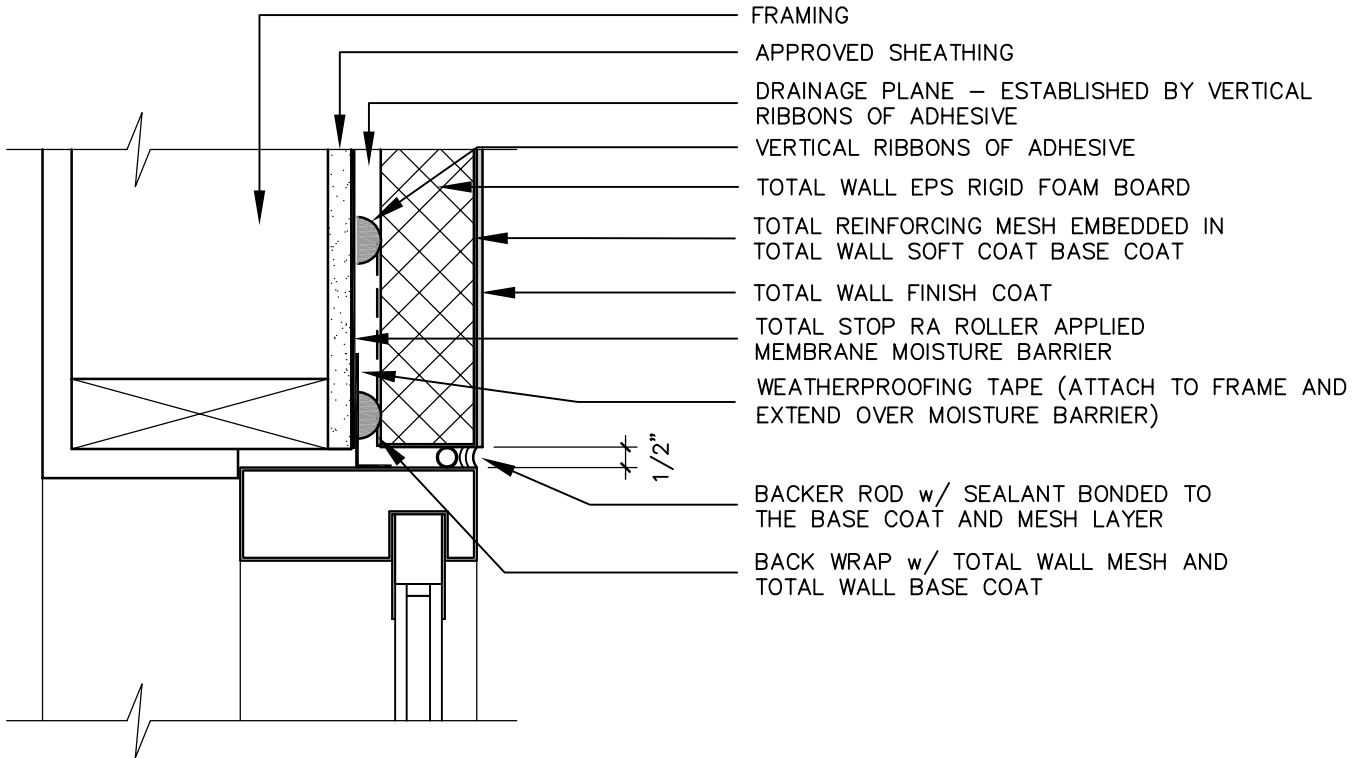
TSMD-04.3 TYPICAL WINDOW SILL (FLUSH)

TOTAL WALL

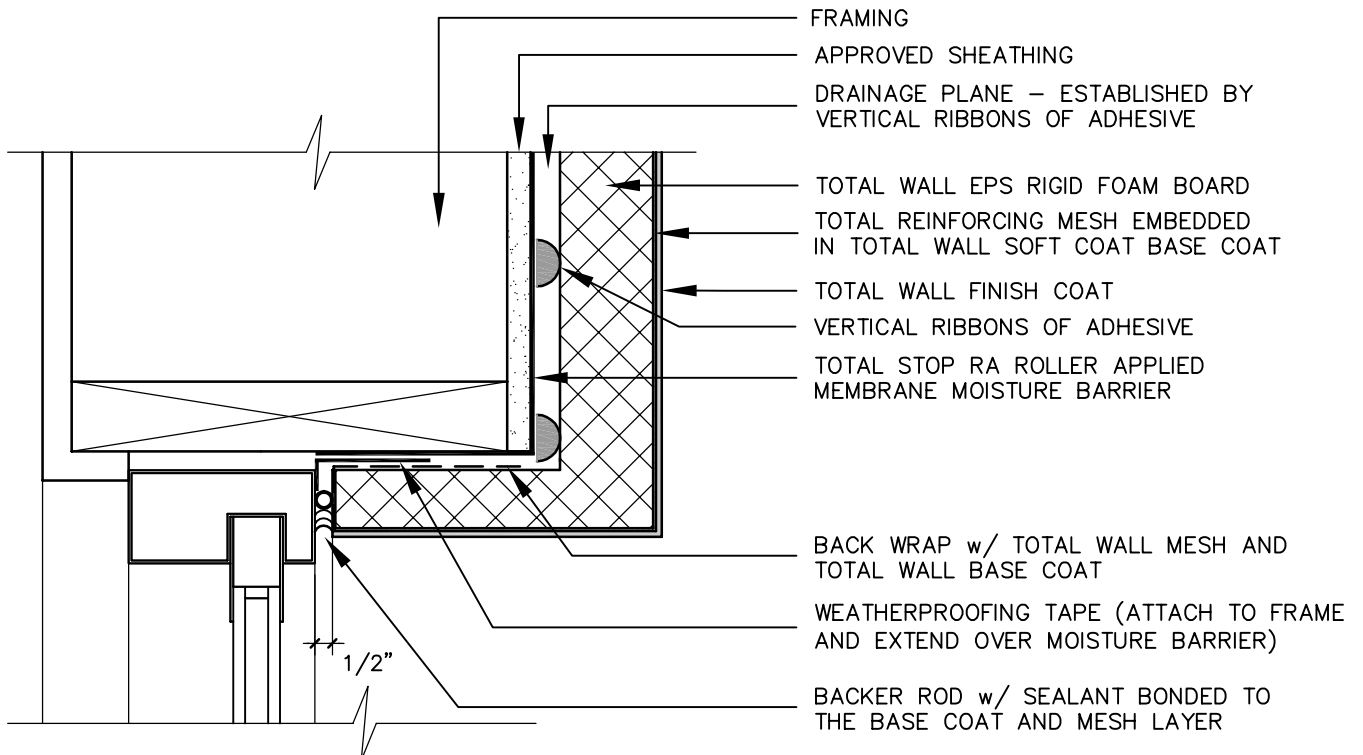
America's EIFS And Stucco Company!

TOTAL STOP MD

Class MD Drainage EIFS



TSMD-05.1 TYPICAL WINDOW/DOOR JAMB (FLUSH) - TOP VIEW

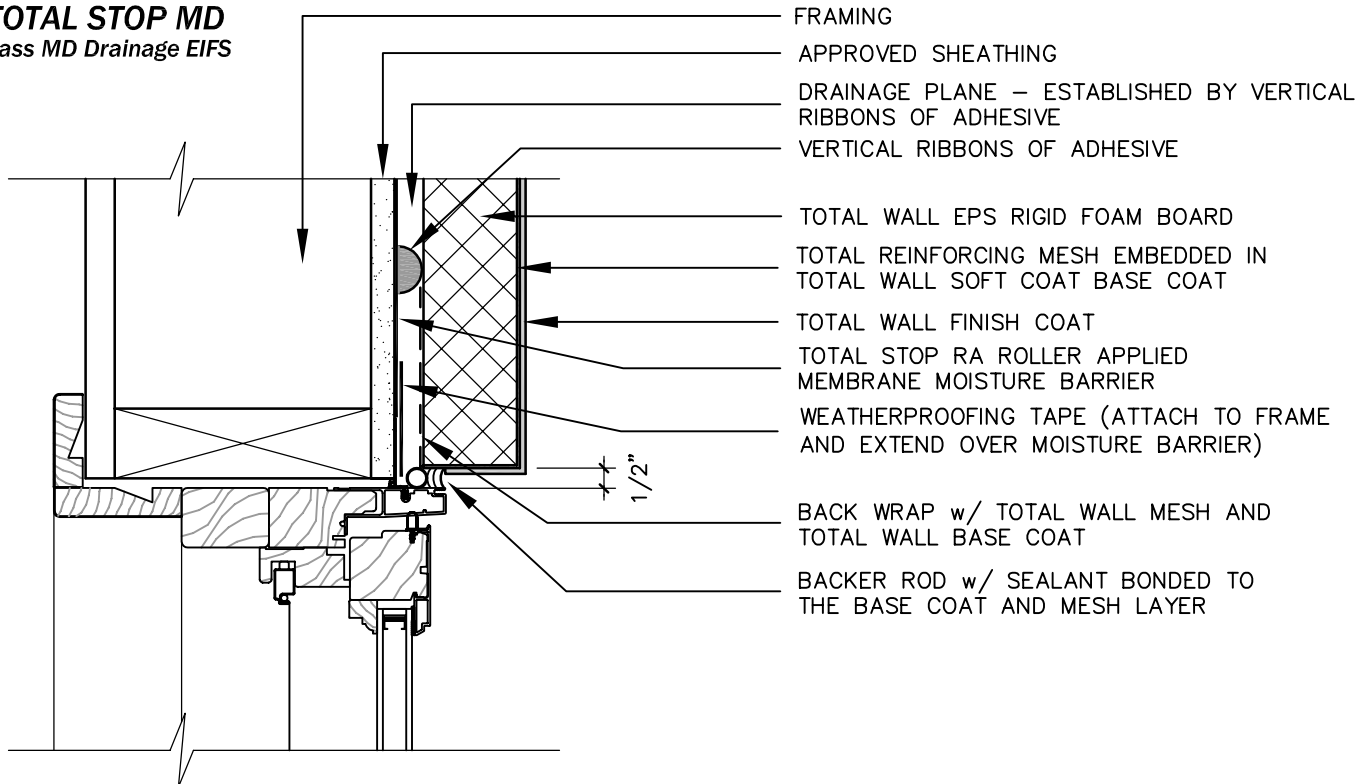


TSMD-05.2 TYPICAL WINDOW/DOOR JAMB (RECESSED) - TOP VIEW

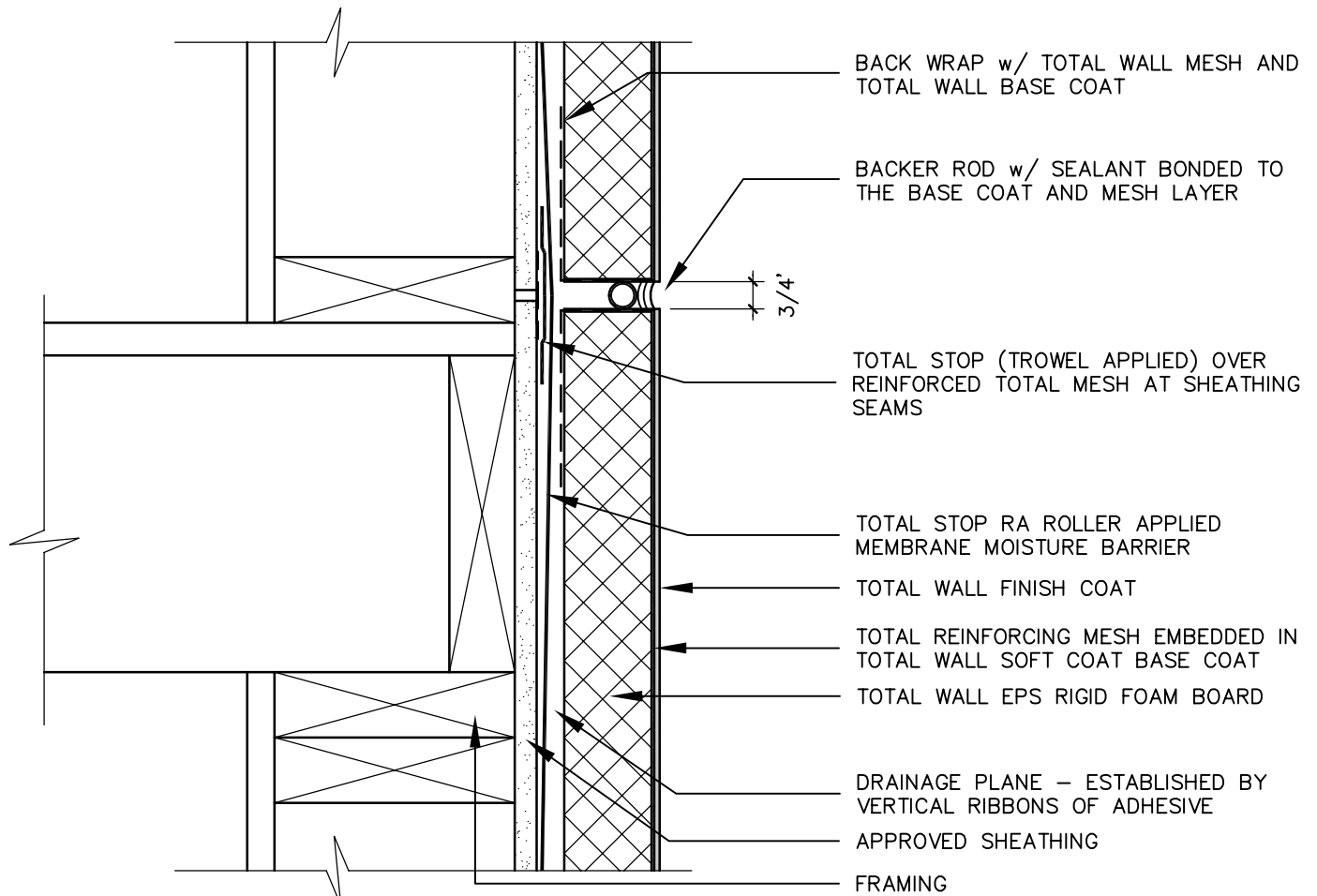
TOTAL WALL

America's EIFS And Stucco Company!

TOTAL STOP MD Class MD Drainage EIFS



TSM-D-05.3 TYPICAL WINDOW/DOOR JAMB (FLUSH) - TOP VIEW



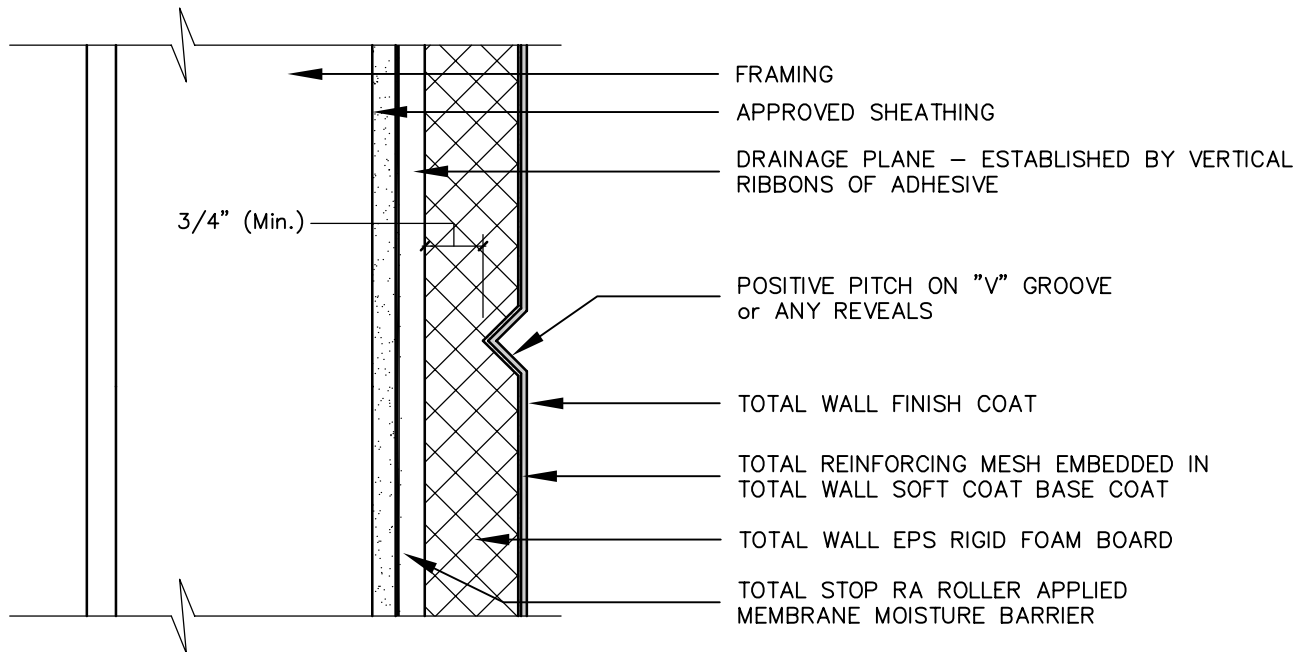
TSM-D-06 TYPICAL EXPANSION JOINT

TOTAL WALL

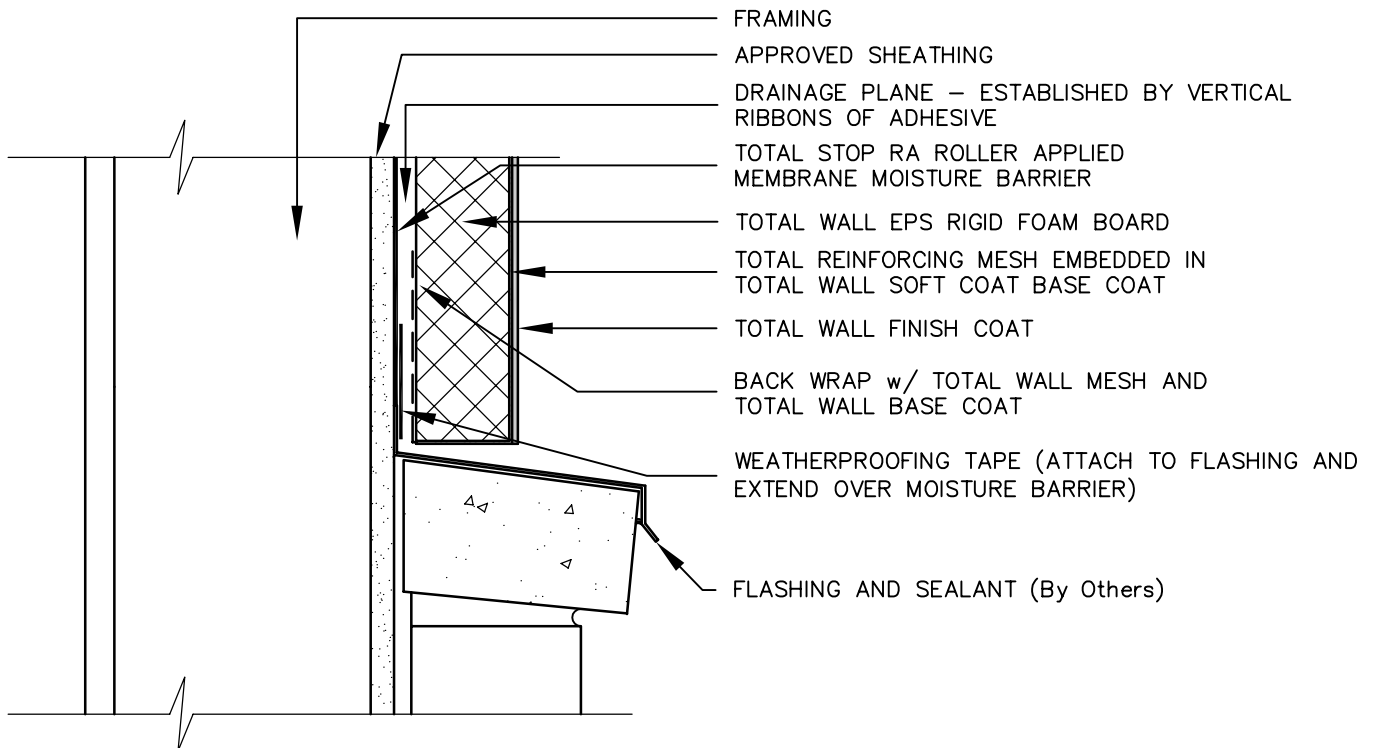
America's EIFS And Stucco Company!

TOTAL STOP MD

Class MD Drainage EIFS



TSMD-07 TYPICAL "V" GROOVE



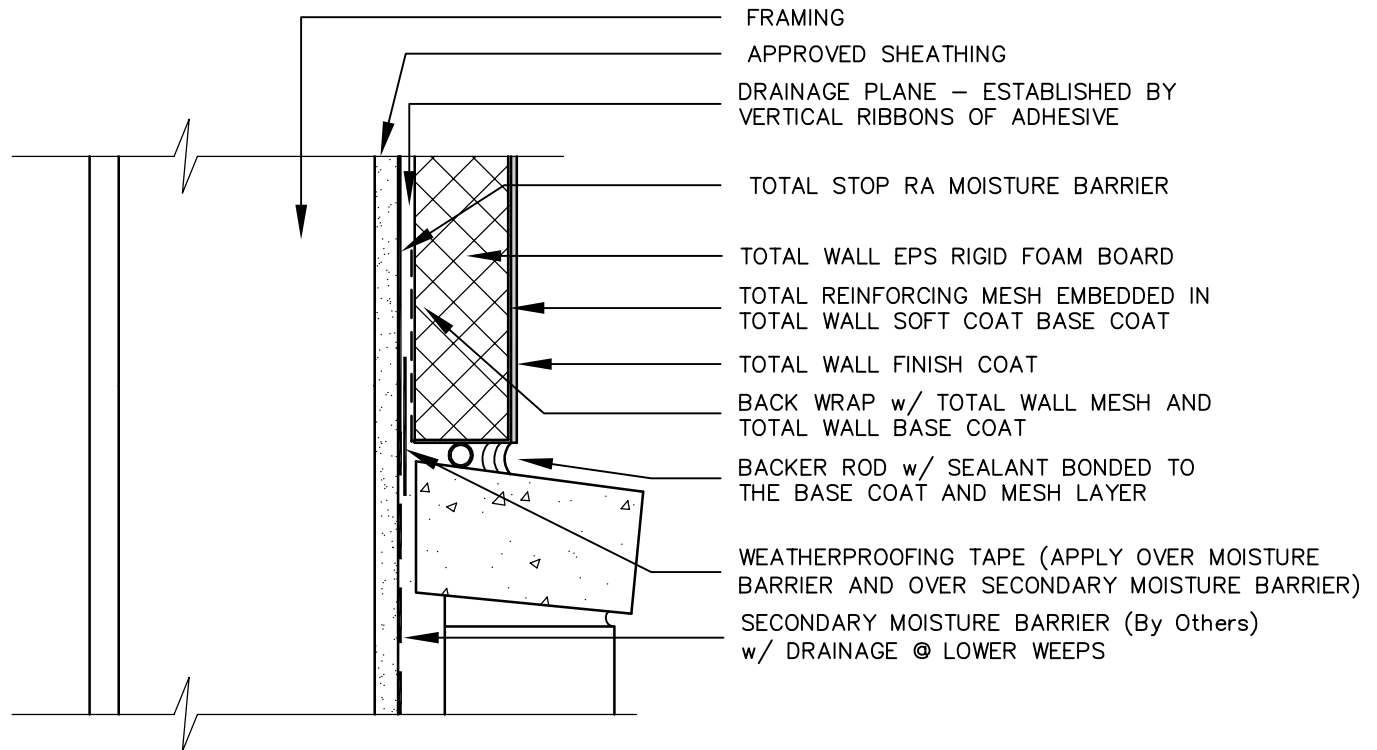
TSMD-08.1 TYPICAL EIFS @ MASONRY SILL

TOTAL WALL

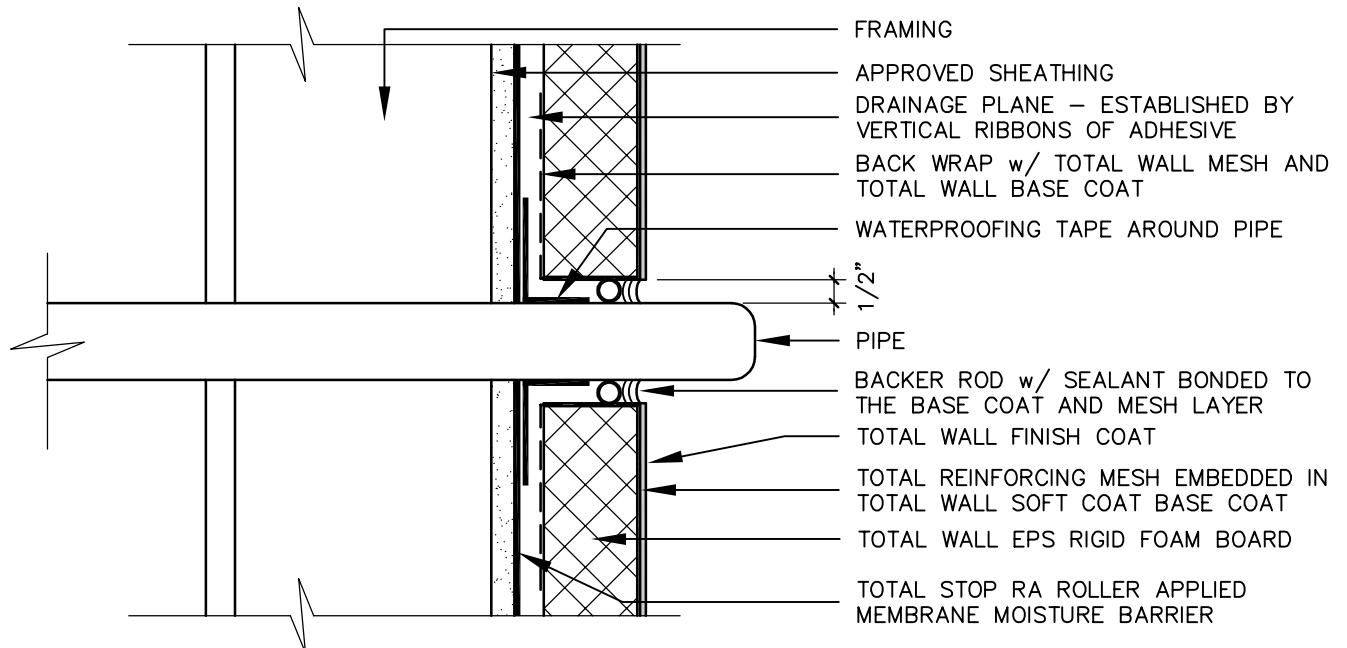
America's EIFS And Stucco Company!

TOTAL STOP MD

Class MD Drainage EIFS



TSMD-08.2 TYPICAL EIFS @ MASONRY SILL



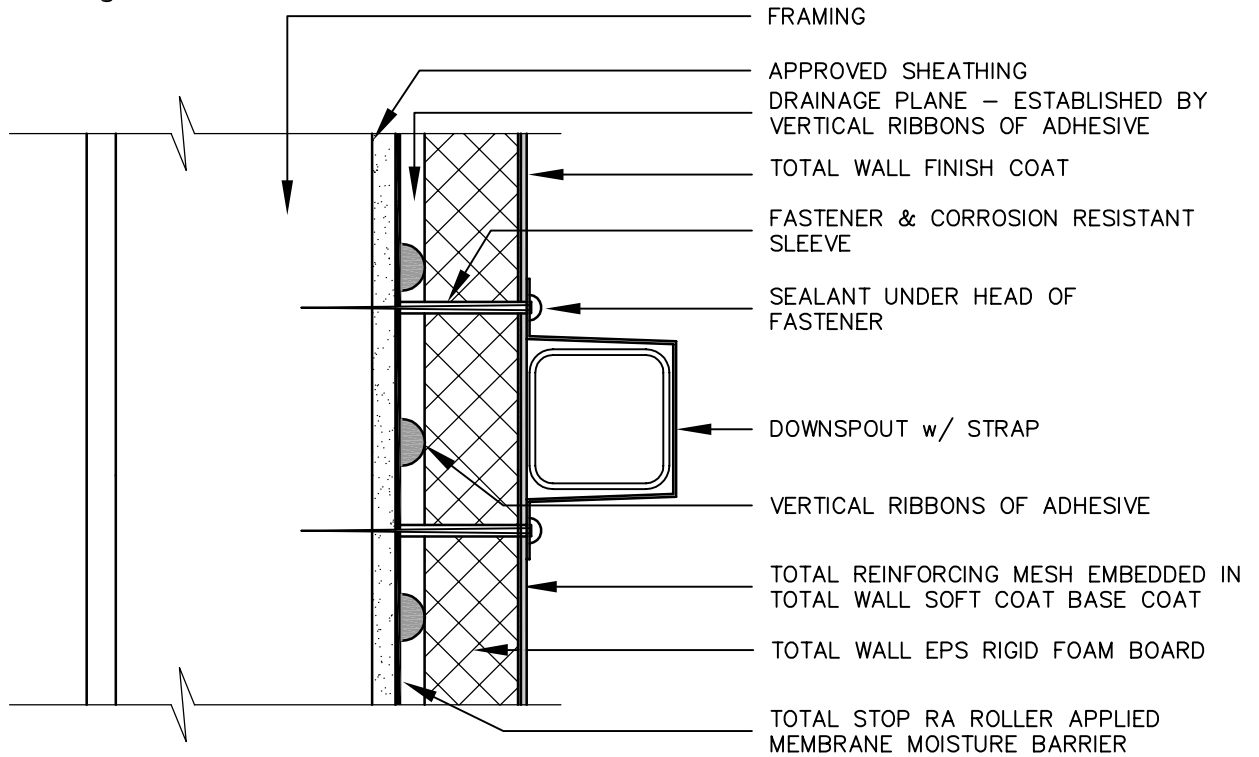
TSMD-09 TYPICAL PIPE PENETRATION

TOTAL WALL

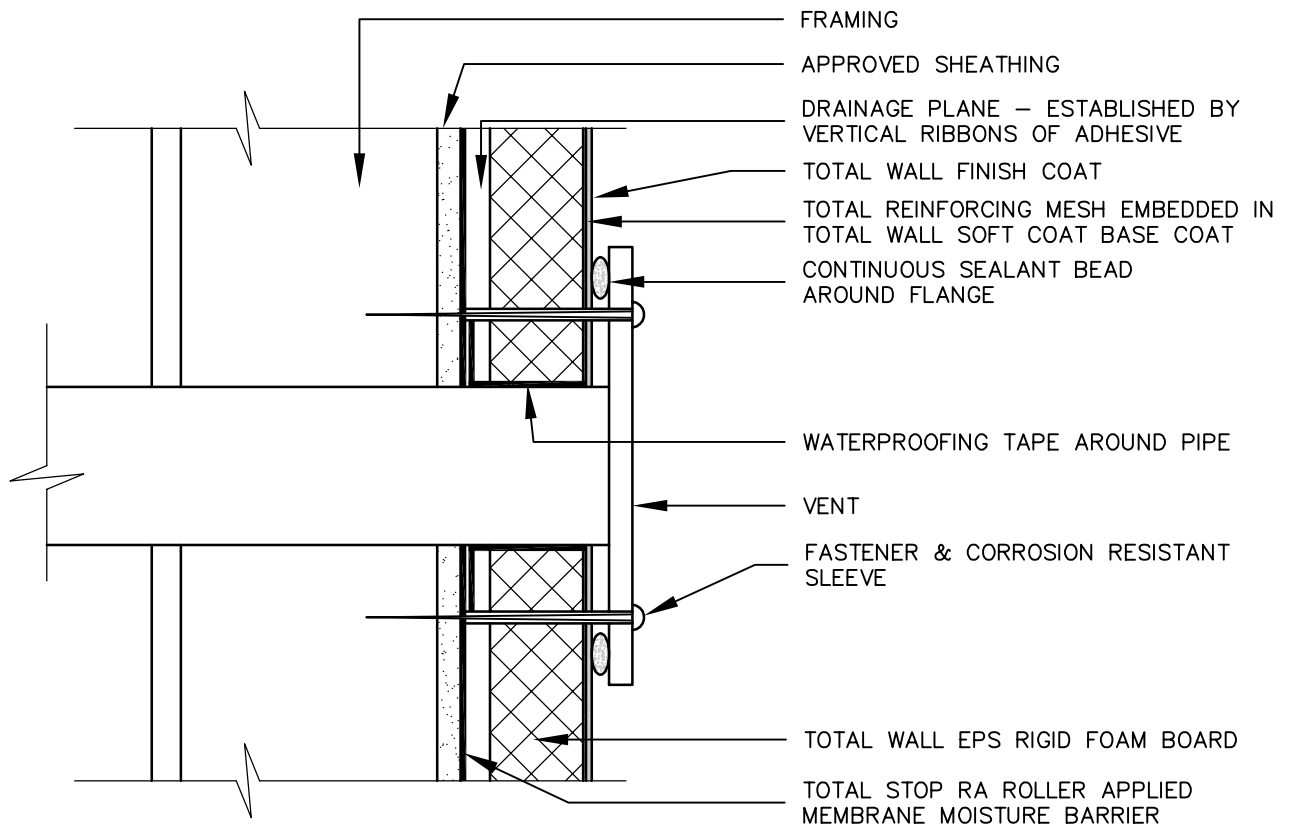
America's EIFS And Stucco Company!

TOTAL STOP MD

Class MD Drainage EIFS



TSMD-10 TYPICAL DOWNSPOUT ATTACHMENT



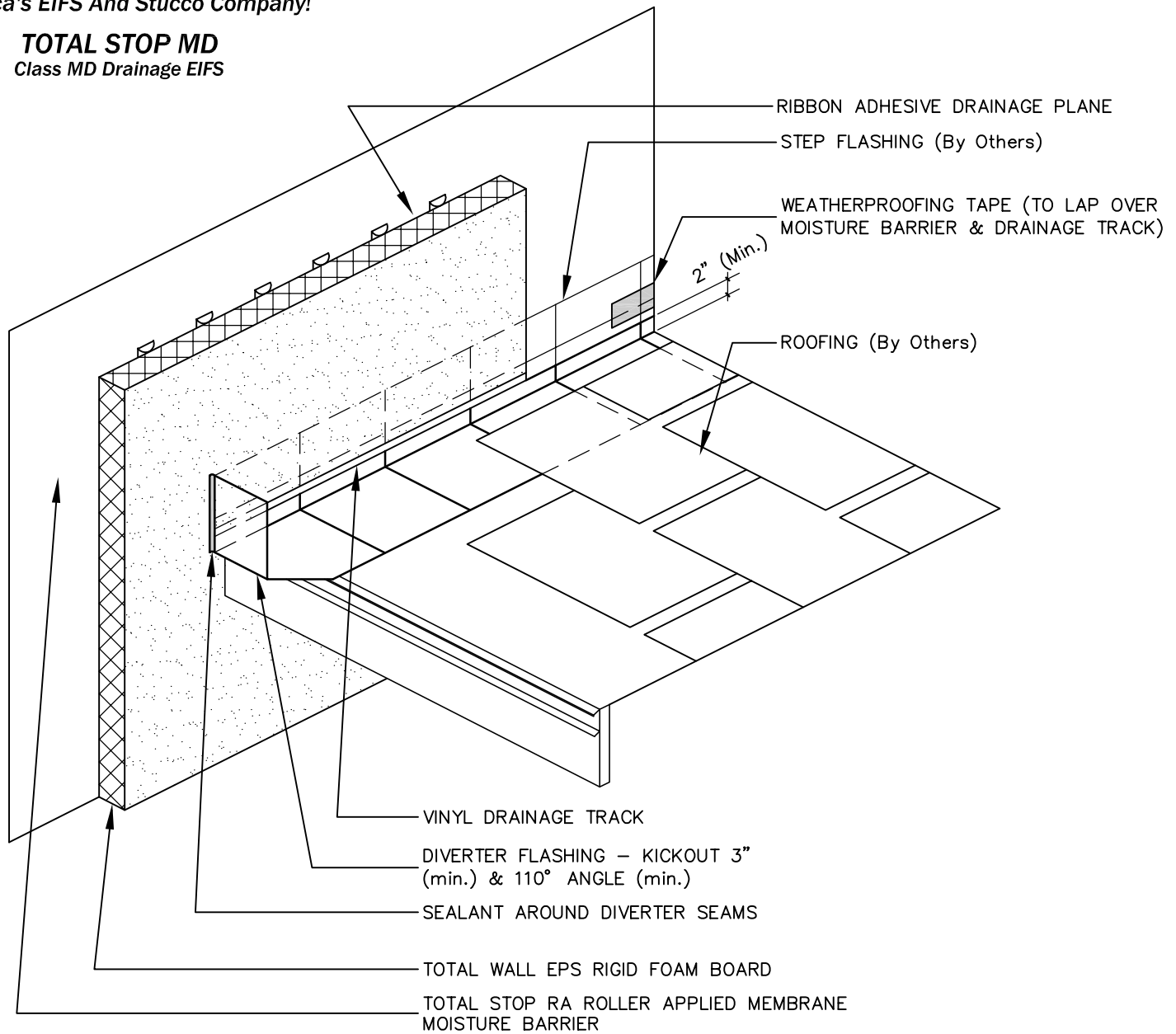
TSMD-11 TYPICAL VENT ATTACHMENT

TOTAL WALL

America's EIFS And Stucco Company!

TOTAL STOP MD

Class MD Drainage EIFS



TSMD-12 TYPICAL KICK-OUT FLASHING

TOTAL WALL

America's EIFS And Stucco Company!

TOTAL STOP MD Class MD Drainage EIFS

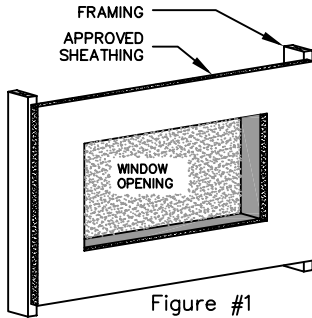


Figure #1

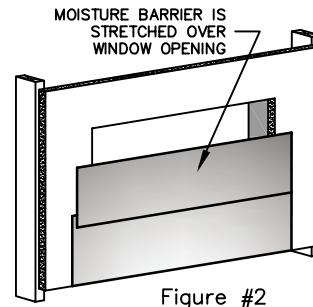


Figure #2

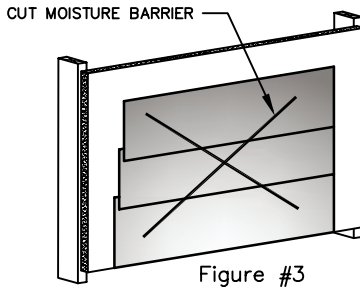


Figure #3

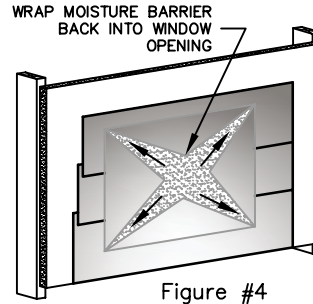


Figure #4

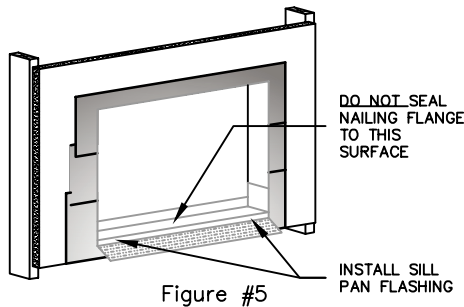


Figure #5

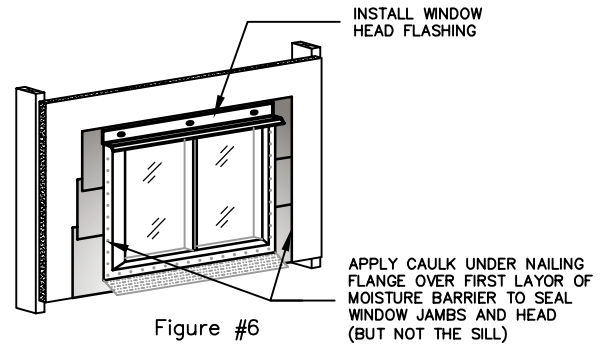


Figure #6

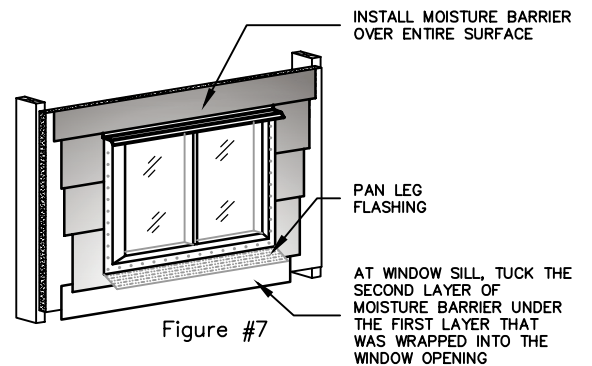
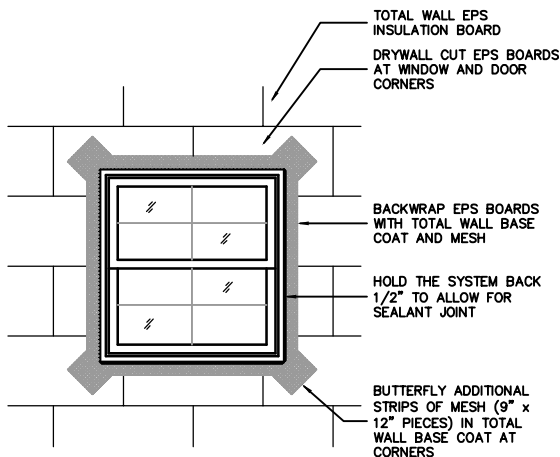


Figure #7



TSMD-13 TYPICAL WINDOW OPENING PREPARATION