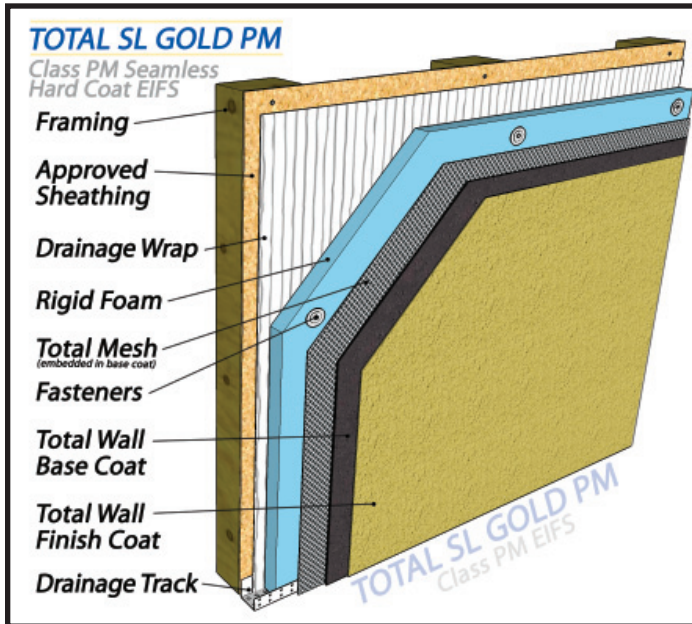


## TOTAL SL GOLD PM □ Section 07240 □ Masterformat 2004 07-24-16

Class PM Seamless Hardcoat System

AMERICA'S EIFS AND STUCCO COMPANY!



Total SL Gold PM combines the R-value and impact advantages of 2-lb density extruded polystyrene rigid insulation board, including a designed drainage plane, with the economy and design advantages of a thin coat lamina.

Total SL Gold PM can be applied over any frame and sheathing substrate or masonry substrate. Available in unlimited colors and a variety of textures, Total SL Gold PM provides an energy efficient and impact resistant exterior cladding system with the look of natural masonry. This system can easily employ architectural enhancements, such as quoins, trim bands, reveals and arches.

- **Energy Efficiency:** Typical R5 per inch.
- **Substrates:** Any exterior frame & sheathing or masonry.
- **Design Elements:** Requires use of control joints beyond 50 lineal feet of wall, includes moisture barrier and designed drainage plane, can employ reveals and trims, medium-high impact resistance.
- **Sustainability:** Low VOC & toxicity, employs recycle content.

### Detail Directory

Typical Total SL Gold PM System - Iso	TSLGPM-01	Pg 1
Typical Total SL Gold PM -Top View	TSLGPM-02	Pg 1
Typical Window/Door Head (Flush)	TSLGPM-03.1	Pg 2
Typical Window/Door Head (Recessed)	TSLGPM-03.2	Pg 2
Typical Window/Door Head (Flush)	TSLGPM-03.3	Pg 3
Typical Window Sill (Flush)	TSLGPM-04.1	Pg 3
Typical Window Sill (Recessed)	TSLGPM-04.2	Pg 4
Typical Window Sill (Flush)	TSLGPM-04.3	Pg 4
Typical Window/Door Jamb (Flush)	TSLGPM-05.1	Pg 5
Typical Window/Door Jamb (Recessed)	TSLGPM-05.2	Pg 5
Typical Window/Door Jamb (Flush)	TSLGPM-05.3	Pg 6
Typical Expansion Joint	TSLGPM-06	Pg 6
Typical "V" Groove	TSLGPM-07	Pg 7
Typical EIFS @ Masonry Sill	TSLGPM-08.1	Pg 7
Typical EIFS @ Masonry Sill	TSLGPM-08.2	Pg 8
Typical Pipe Penetration	TSLGPM-09	Pg 8
Typical Downspout Attachment	TSLGPM-10	Pg 9
Typical Vent Attachment	TSLGPM-11	Pg 9
Typical Kickout Flashing	TSLGPM-12	Pg 10
Typical Window Opening Preparation	TSLGPM-13	Pg 11

**TOTAL WALL**  
AMERICA'S EIFS AND STUCCO COMPANY!

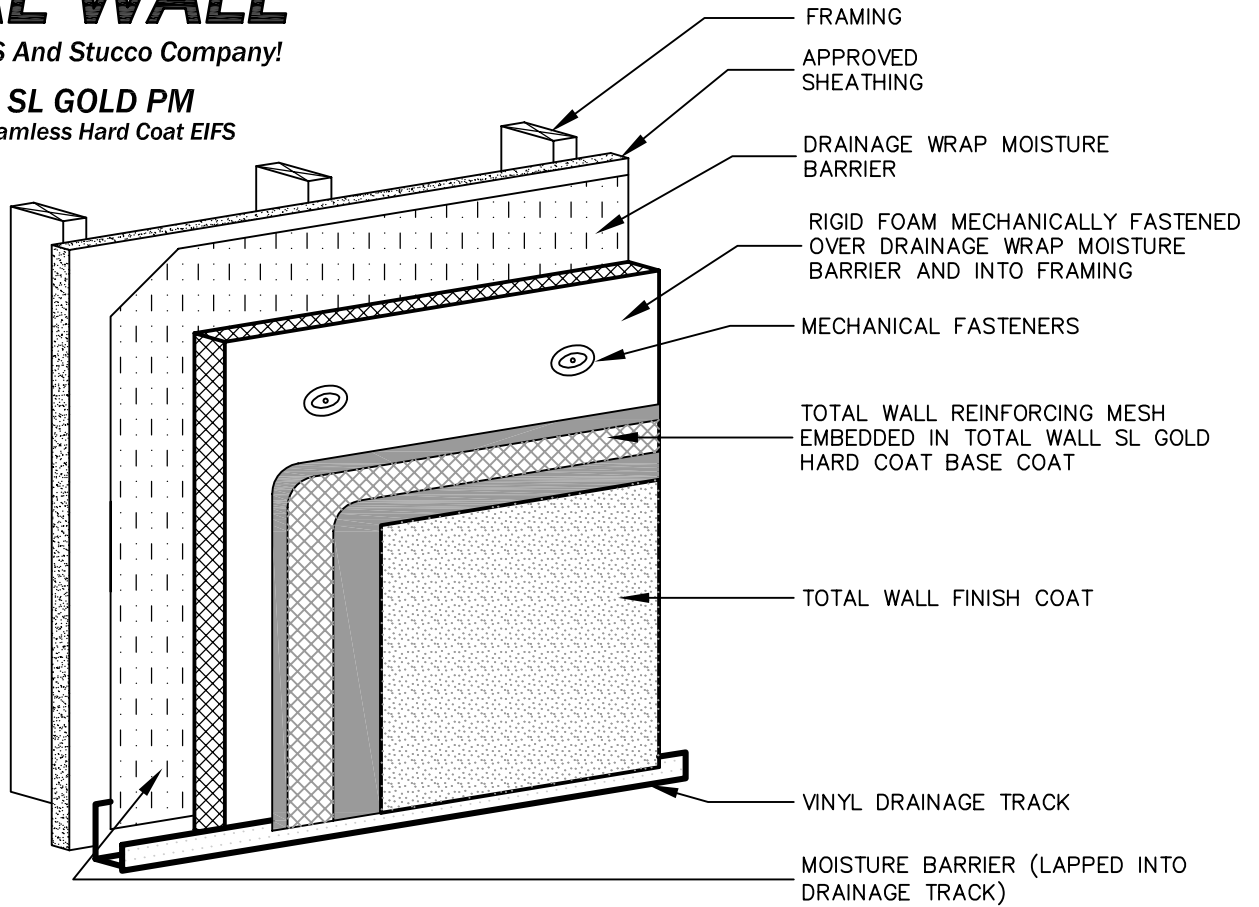
Ph 888.702.9915 Fax 888.702.9916 totalwall.com

# TOTAL WALL

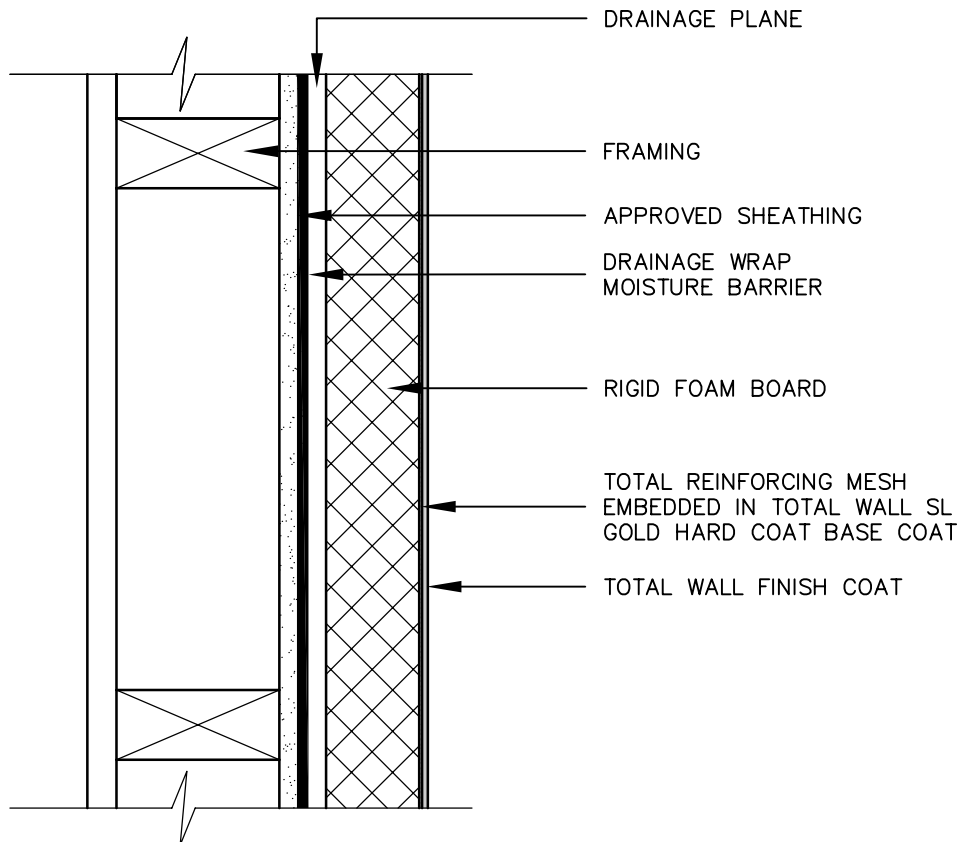
America's EIFS And Stucco Company!

## TOTAL SL GOLD PM

Class PM Seamless Hard Coat EIFS



TSLGPM-01 TYPICAL SEAMLESS HARD COAT EIFS - ISOMETRIC



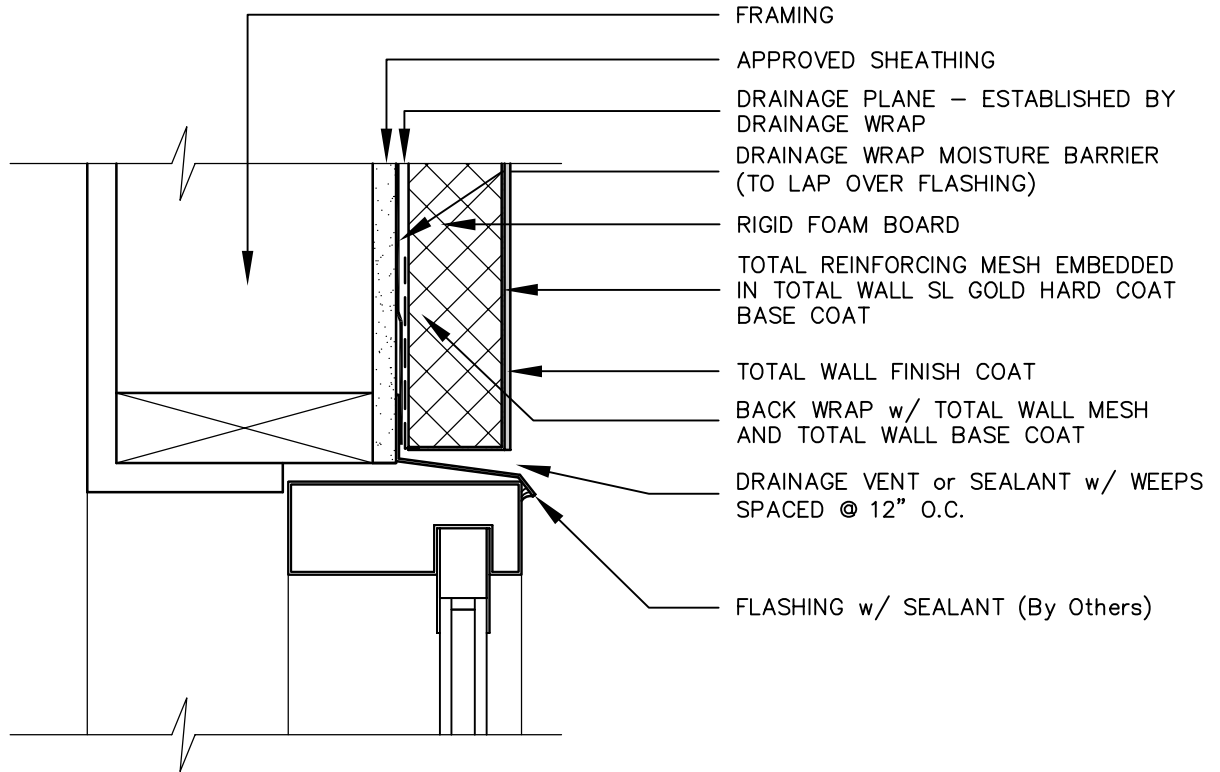
TSLGPM-02 TYPICAL SEAMLESS HARD COAT EIFS - PLAN VIEW

# TOTAL WALL

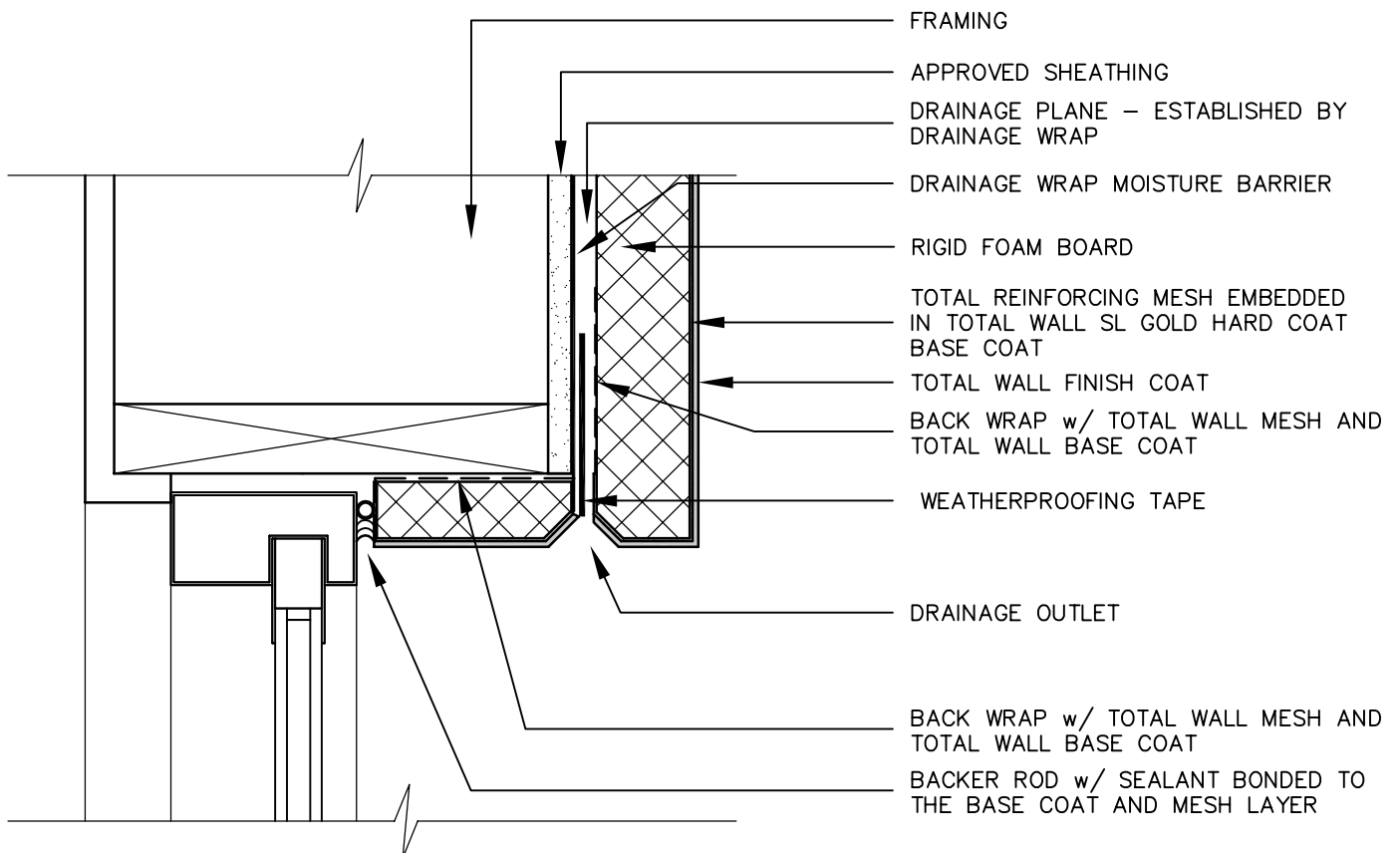
America's EIFS And Stucco Company!

## TOTAL SL GOLD PM

Class PM Seamless Hard Coat EIFS



TSLGPM-03.1 TYPICAL WINDOW/DOOR HEAD (FLUSH)



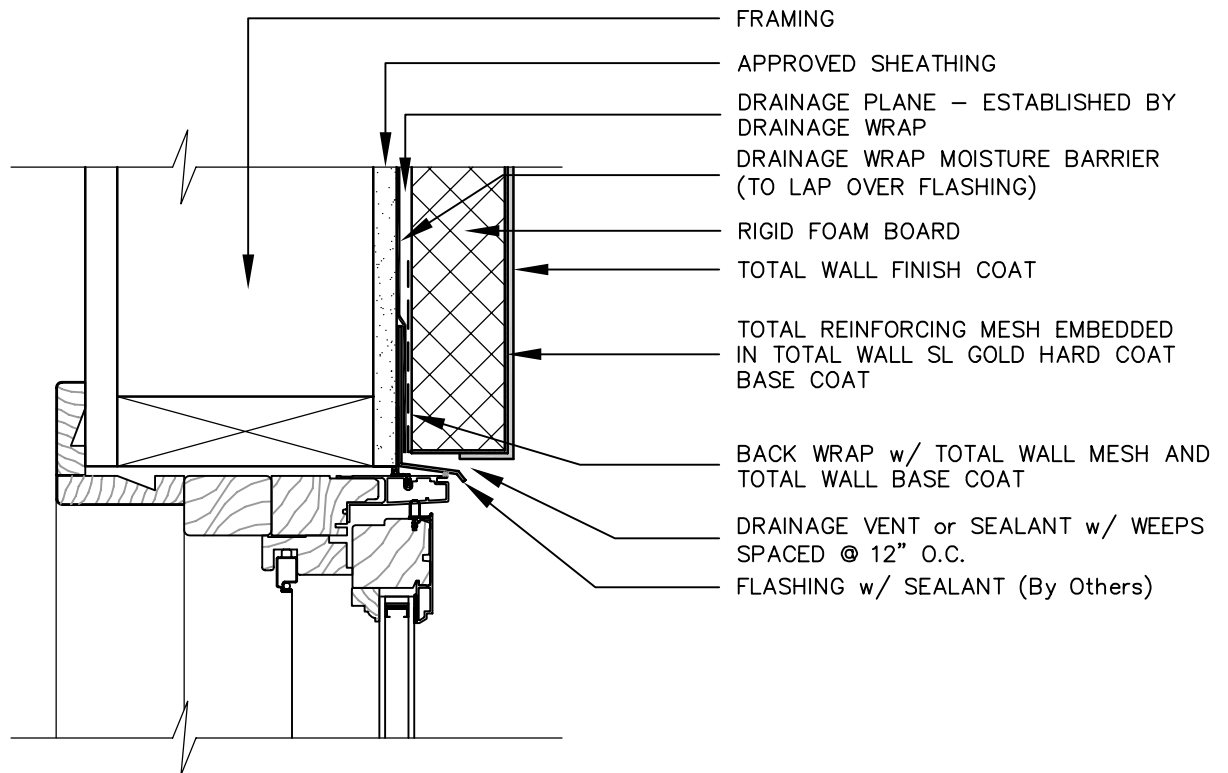
TSLGPM-03.2 TYPICAL WINDOW/DOOR HEAD (RECESSED)

# TOTAL WALL

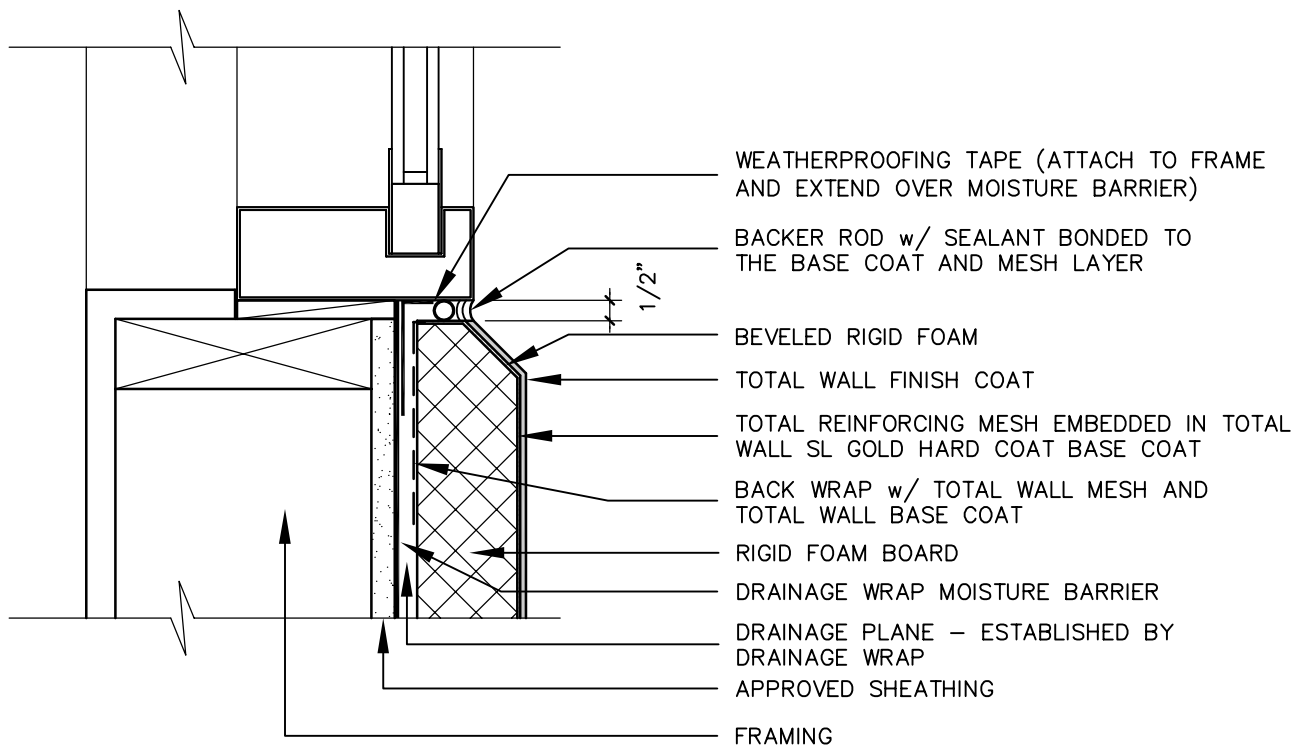
America's EIFS And Stucco Company!

## TOTAL SL GOLD PM

Class PM Seamless Hard Coat EIFS



TSLGPM-03.3 TYPICAL WINDOW/DOOR HEAD (FLUSH)



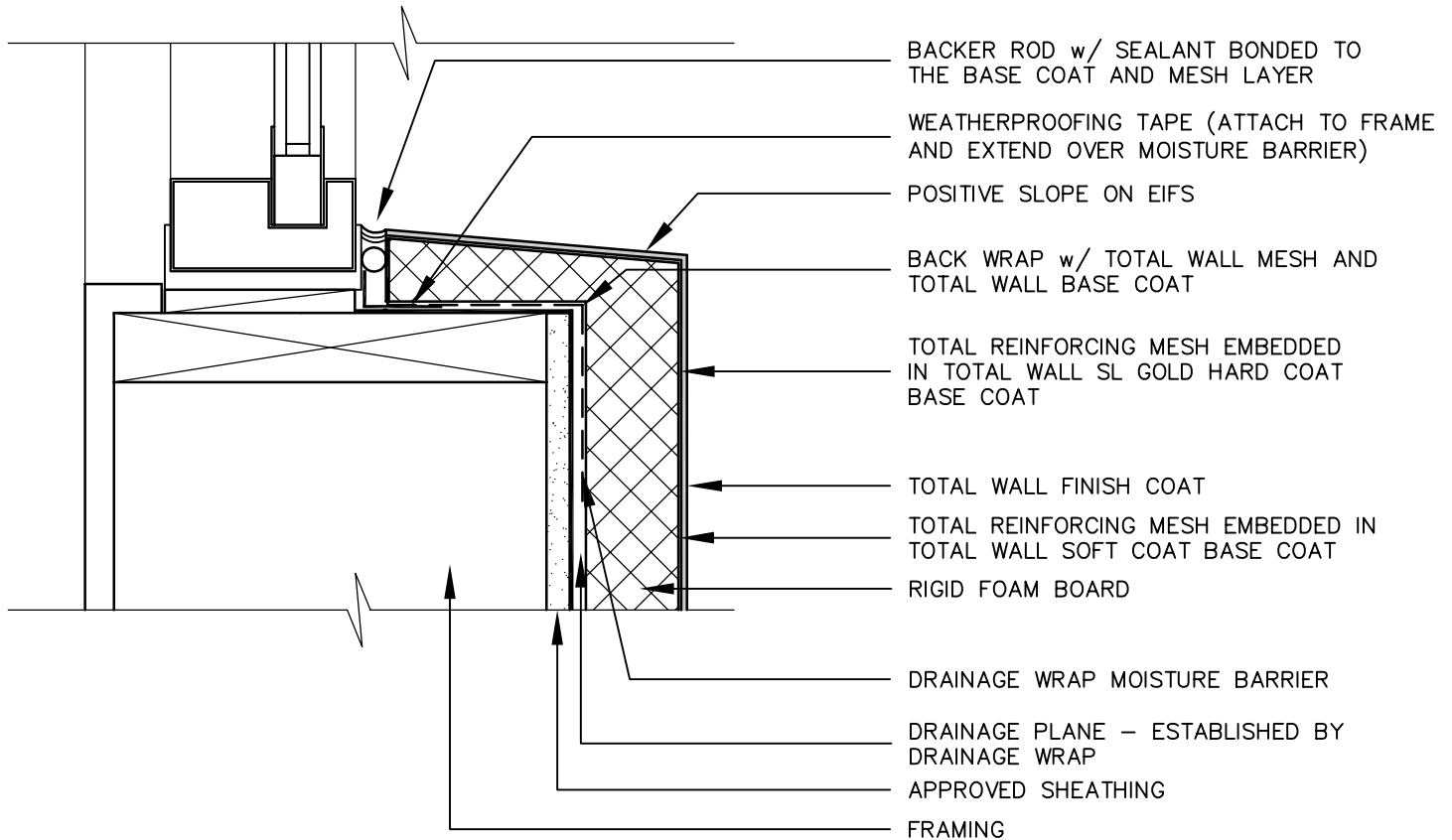
TSLGPM-04.1 TYPICAL WINDOW SILL (FLUSH)

# TOTAL WALL

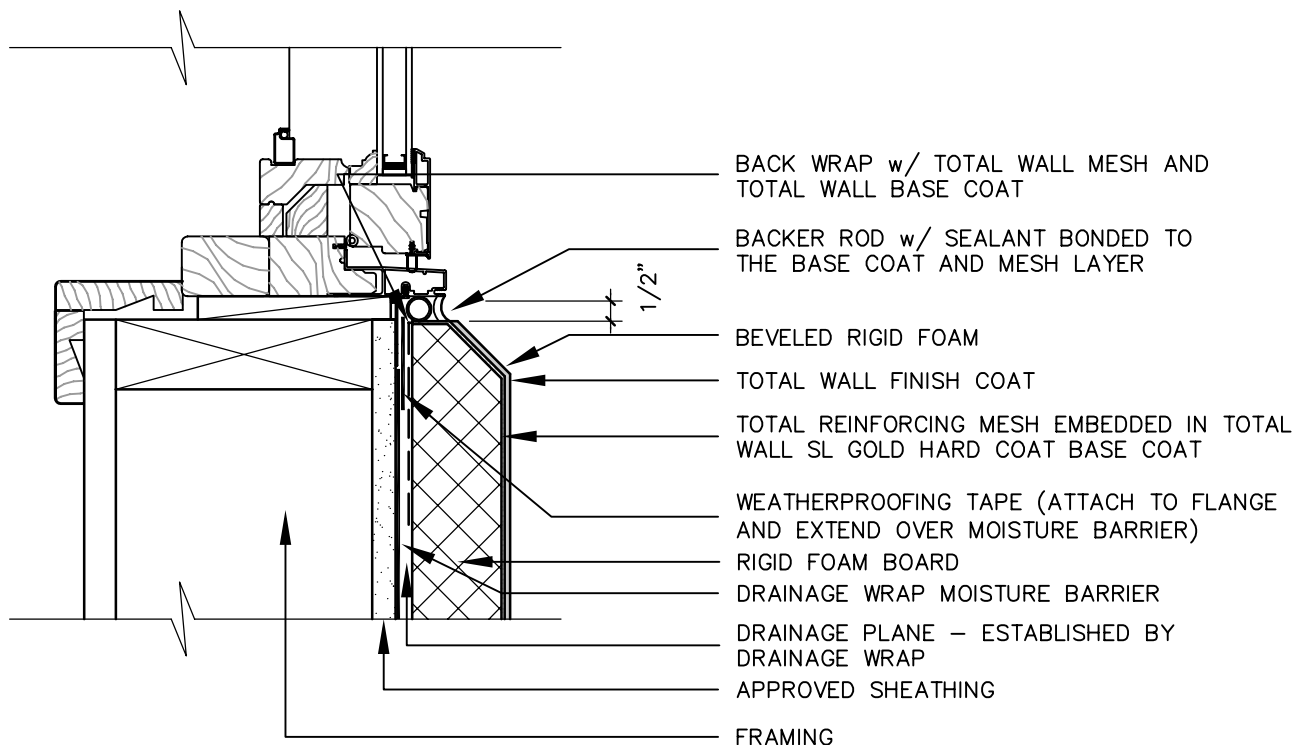
America's EIFS And Stucco Company!

## TOTAL SL GOLD PM

Class PM Seamless Hard Coat EIFS



TSLGPM-04.2 TYPICAL WINDOW SILL (RECESSED)



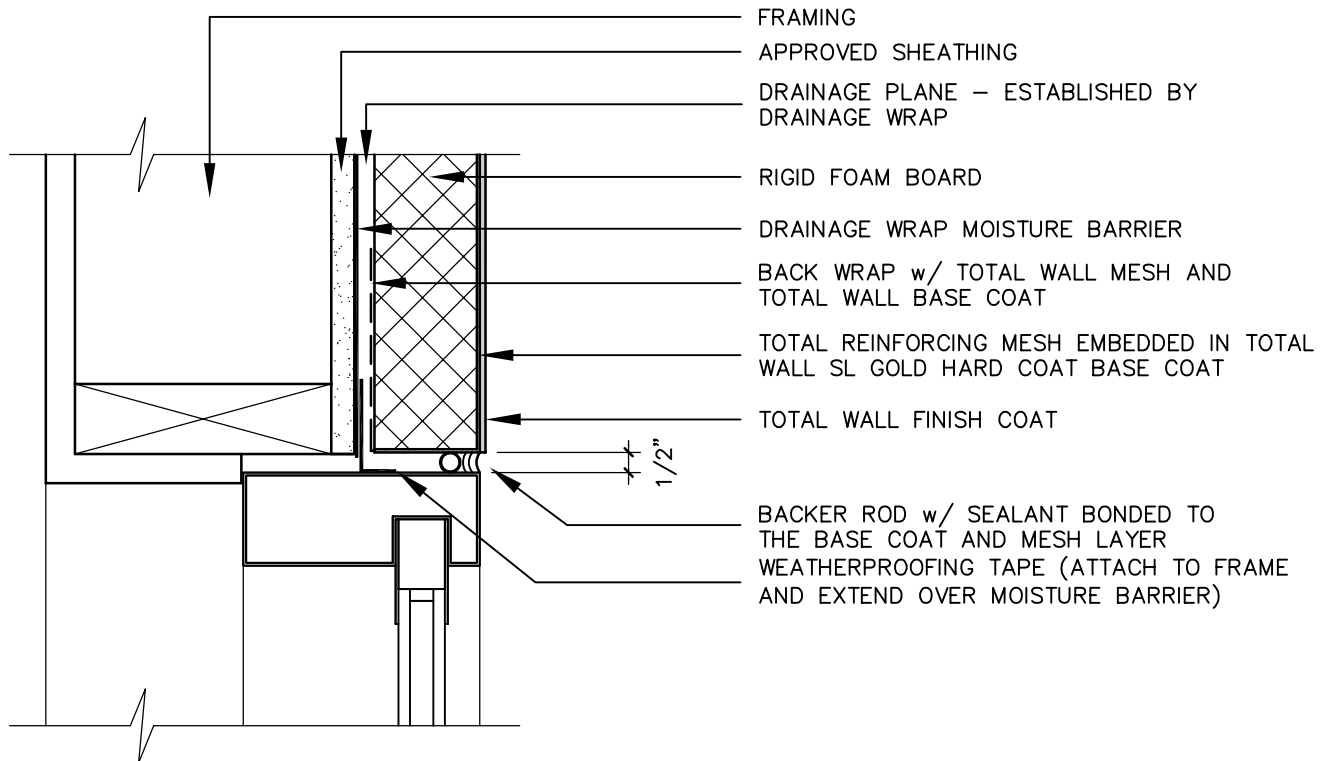
TSLGPM-04.3 TYPICAL WINDOW SILL (FLUSH)

# TOTAL WALL

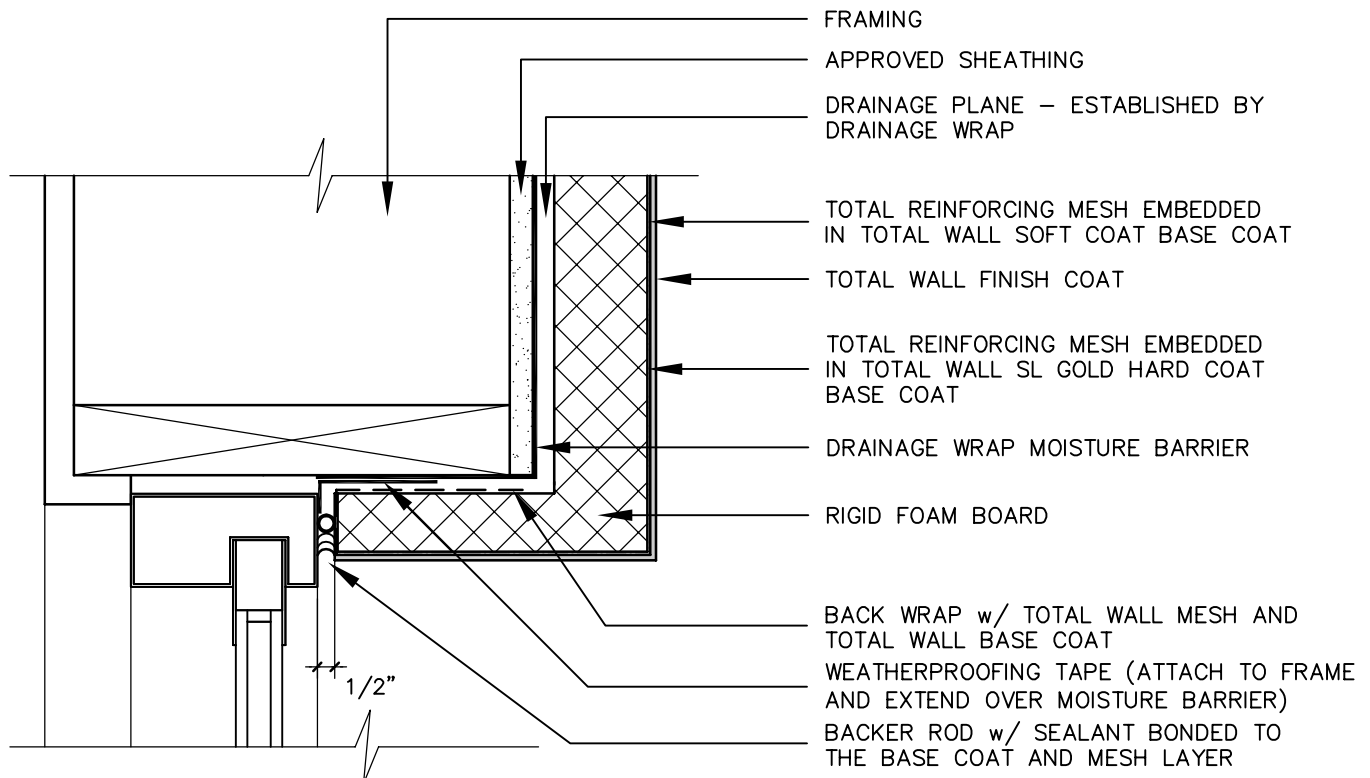
America's EIFS And Stucco Company!

## TOTAL SL GOLD PM

Class PM Seamless Hard Coat EIFS



TSLGPM-05.1 TYPICAL WINDOW/DOOR JAMB (FLUSH) - TOP VIEW

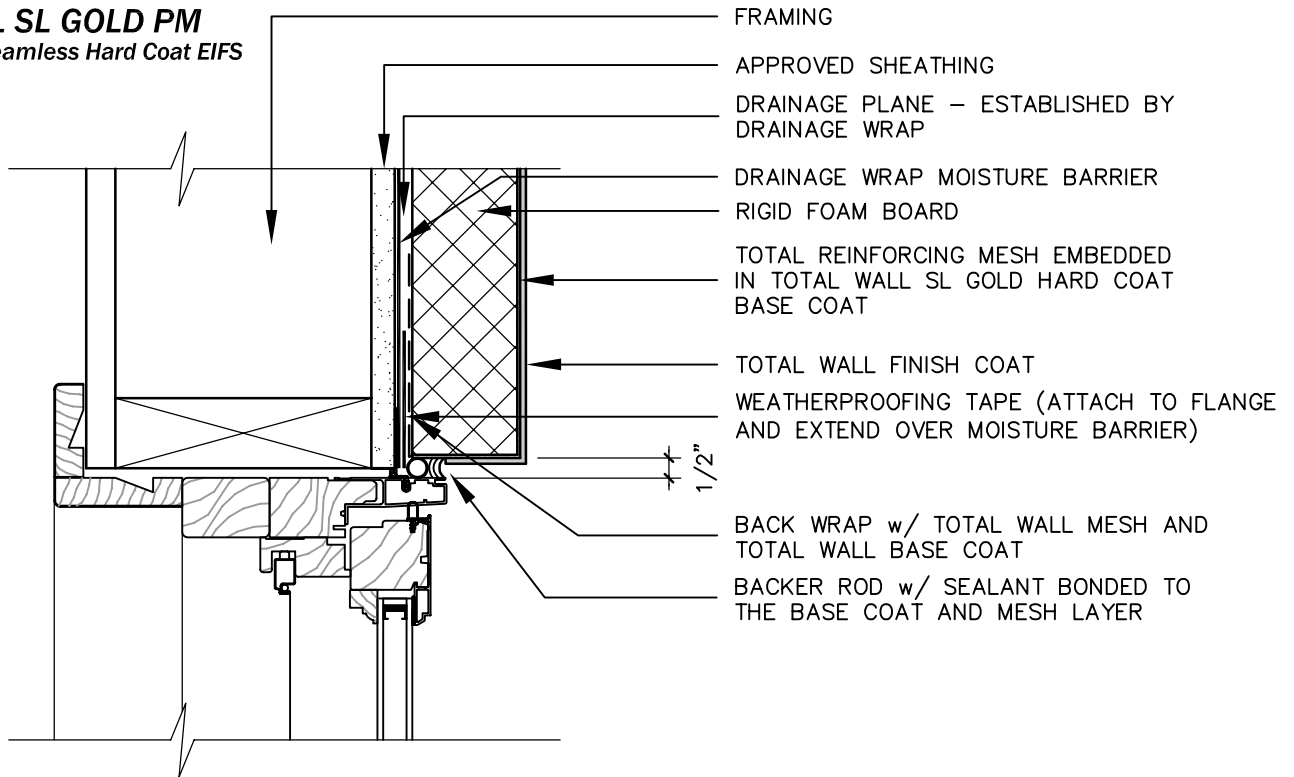


TSLGPM-05.2 TYPICAL WINDOW/DOOR JAMB (RECESSED) - TOP VIEW

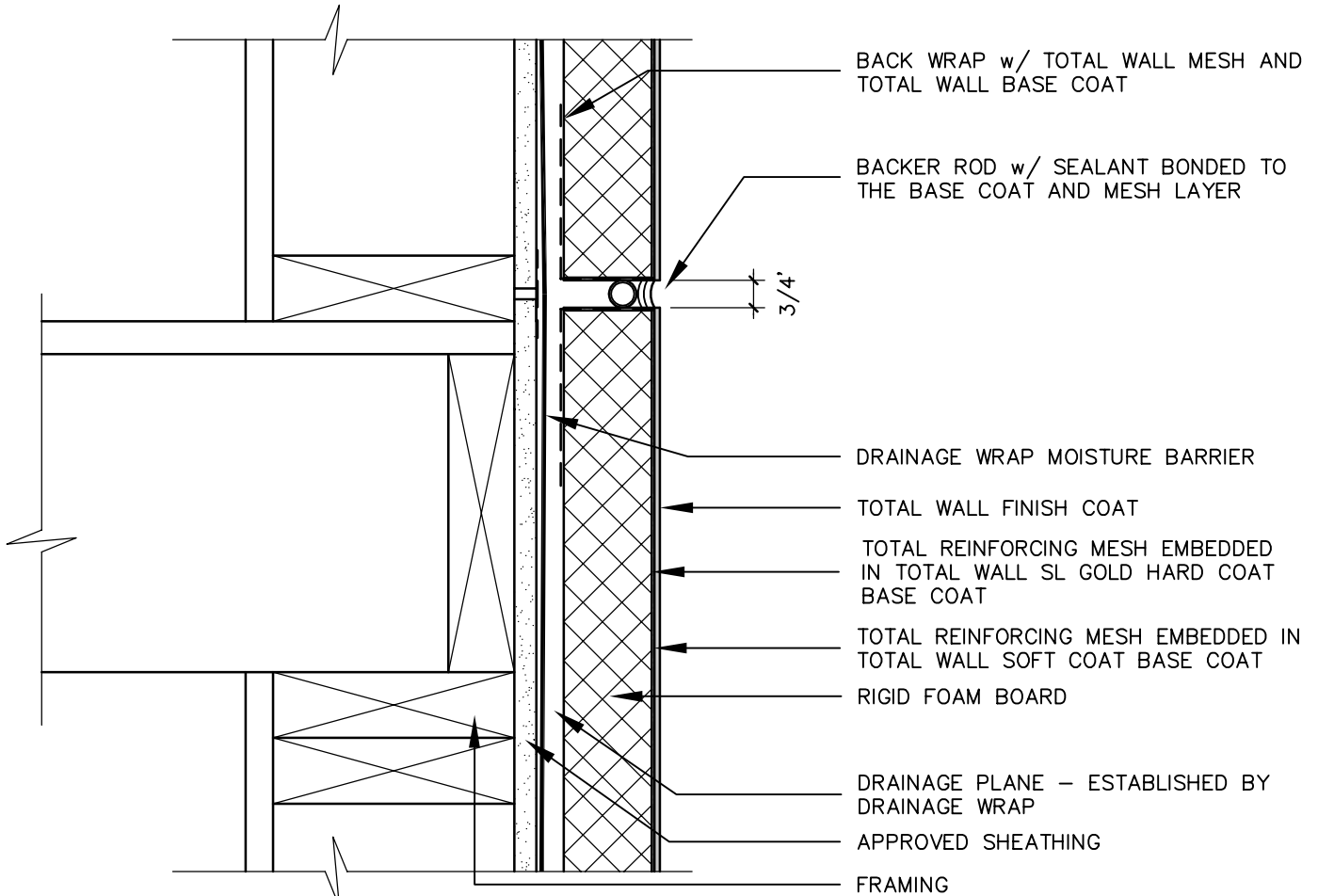
# TOTAL WALL

America's EIFS And Stucco Company!

## TOTAL SL GOLD PM Class PM Seamless Hard Coat EIFS



TSLGPM-05.3 TYPICAL WINDOW/DOOR JAMB (FLUSH) - TOP VIEW



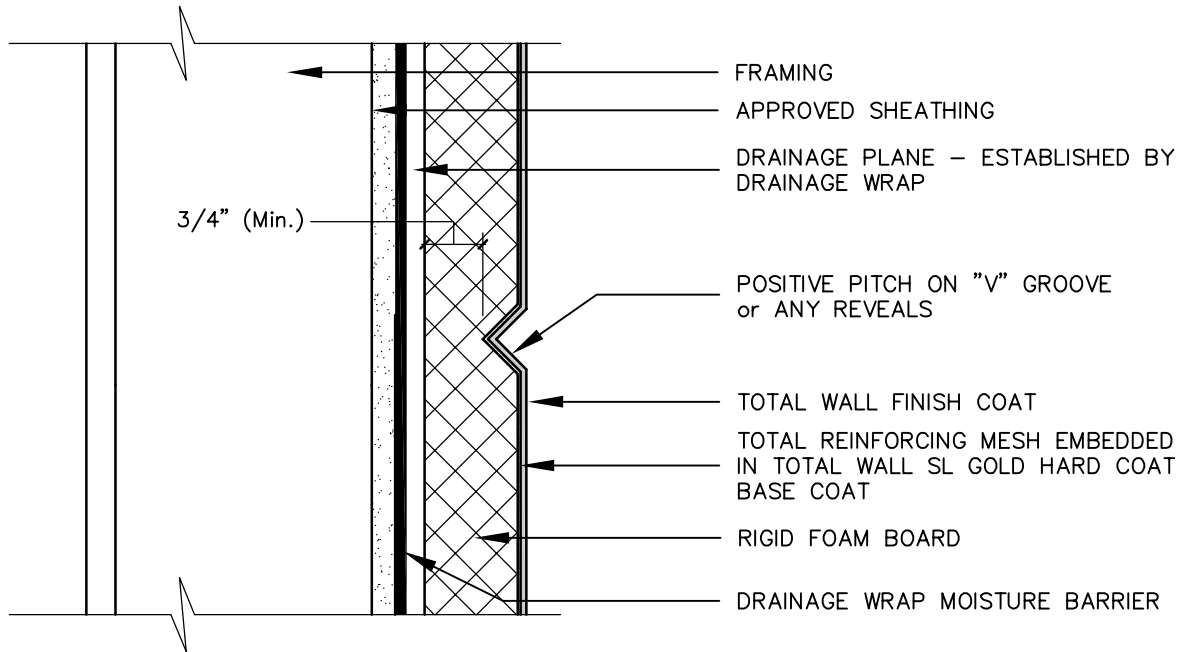
TSLGPM-06 TYPICAL EXPANSION JOINT

# TOTAL WALL

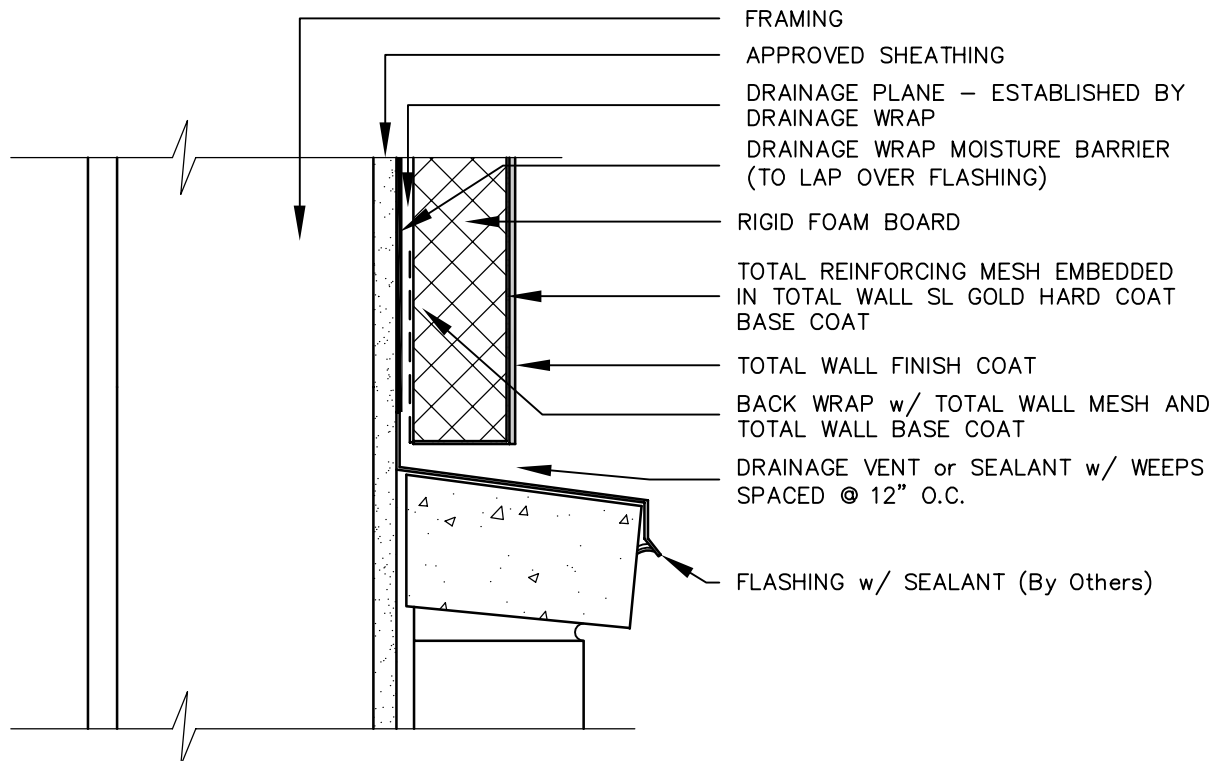
America's EIFS And Stucco Company!

## TOTAL SL GOLD PM

Class PM Seamless Hard Coat EIFS



TSLGPM-07 TYPICAL "V" GROOVE



TSLGPM-08.1 TYPICAL EIFS @ MASONRY SILL

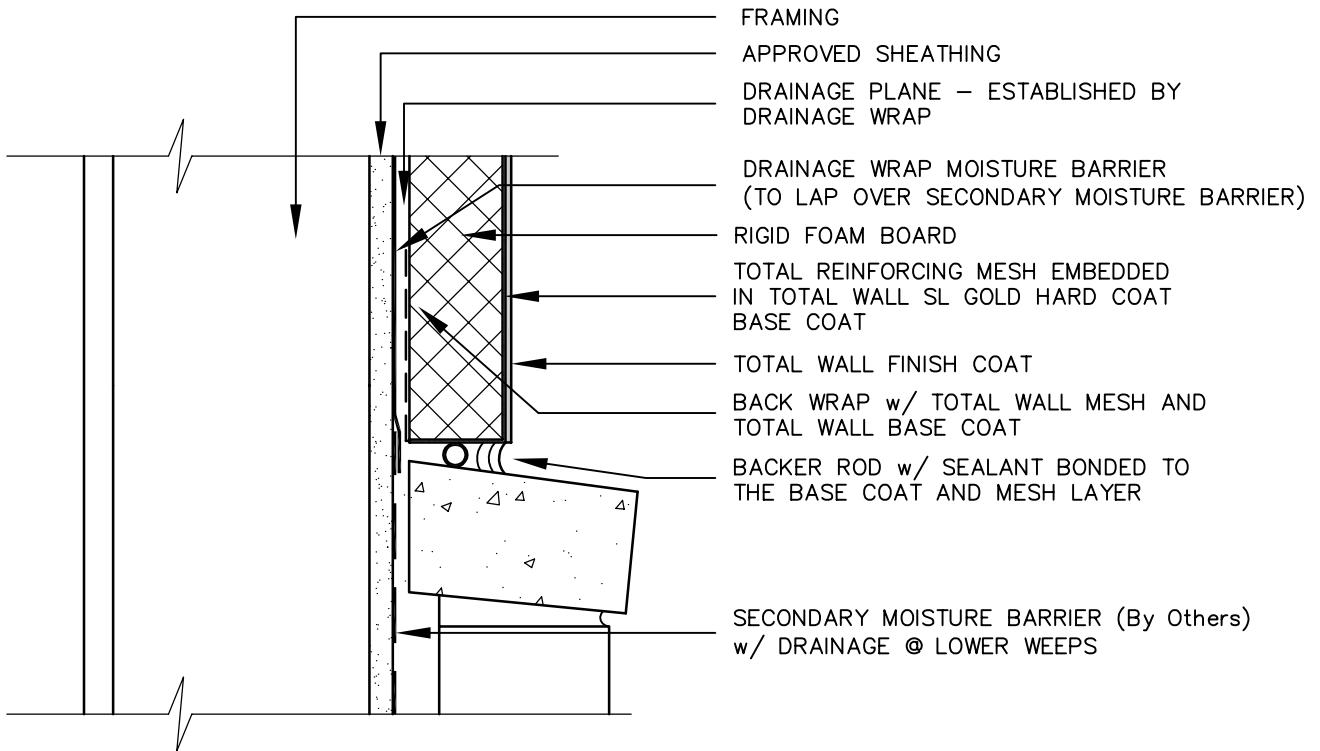


# TOTAL WALL

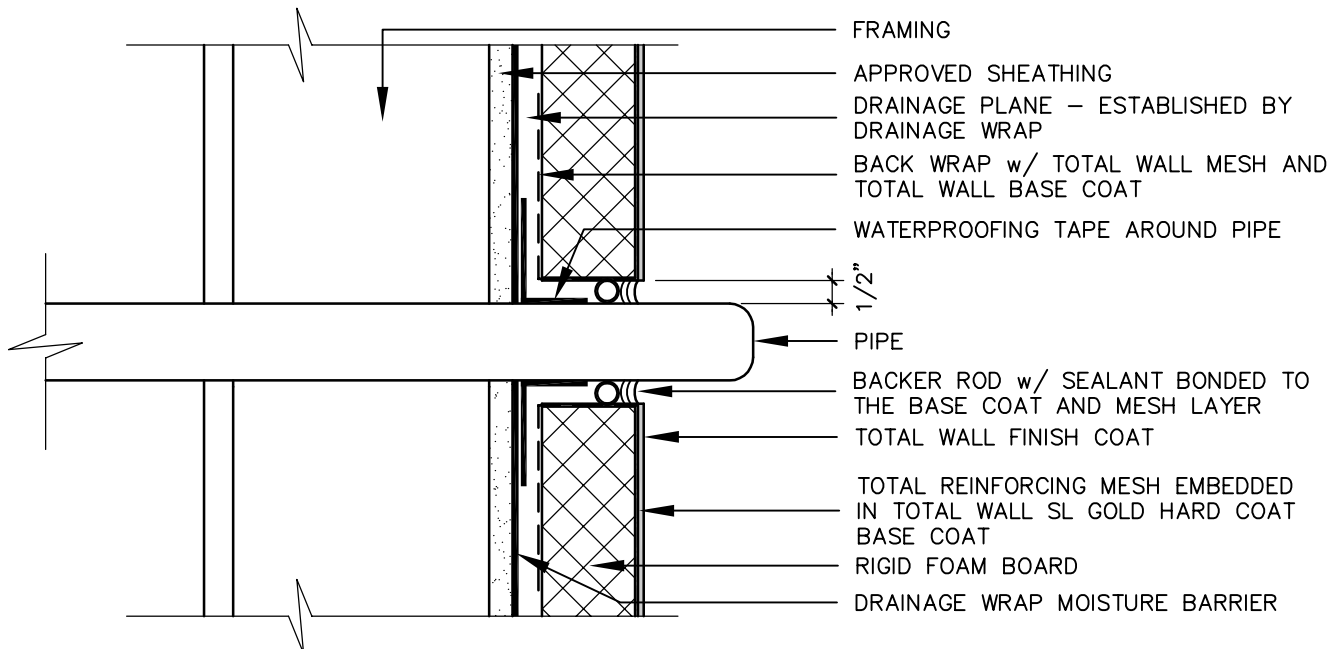
America's EIFS And Stucco Company!

## TOTAL SL GOLD PM

Class PM Seamless Hard Coat EIFS



TSLGPM-08.2 TYPICAL EIFS @ MASONRY SILL



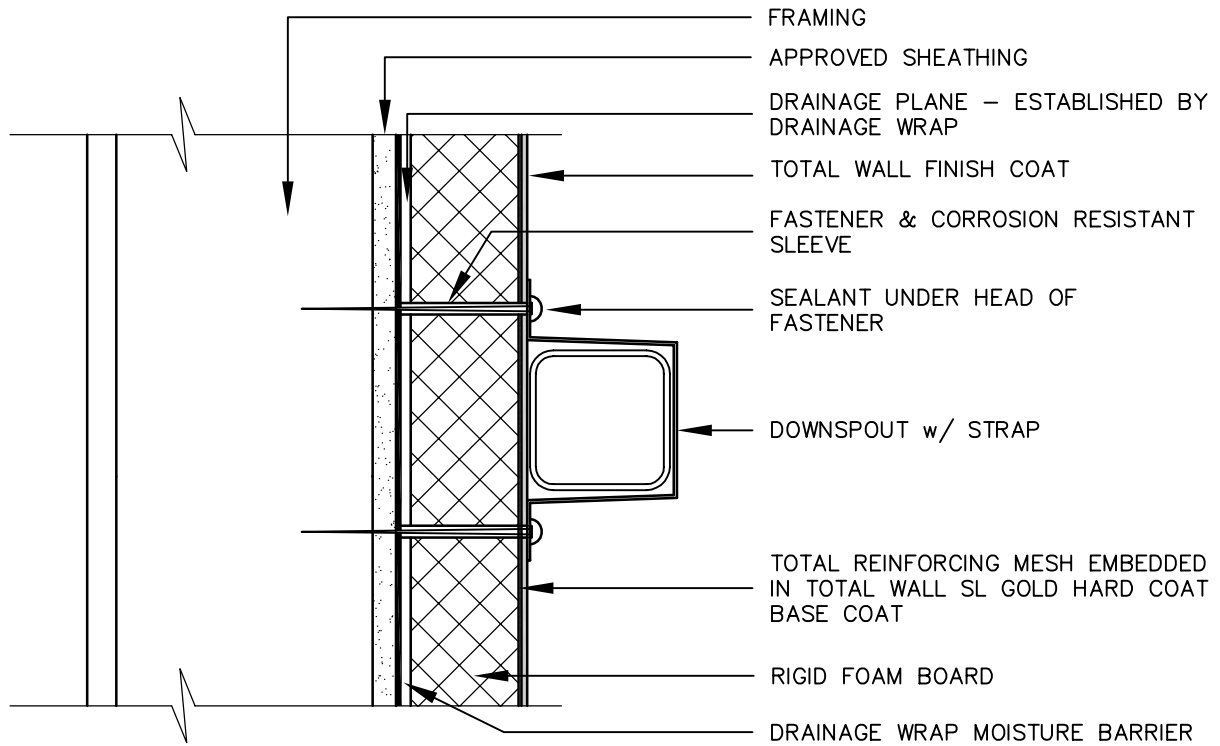
TSLGPM-09 TYPICAL PIPE PENETRATION

# TOTAL WALL

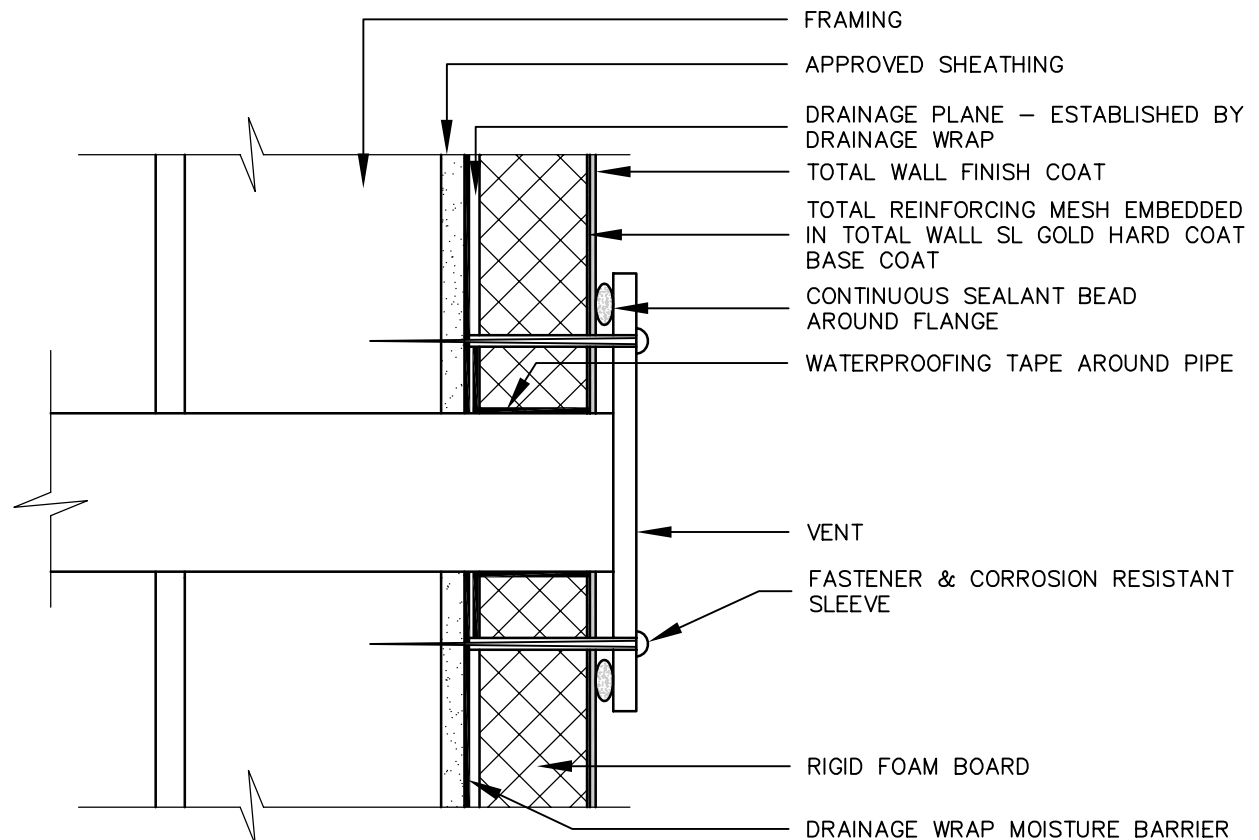
America's EIFS And Stucco Company!

## TOTAL SL GOLD PM

Class PM Seamless Hard Coat EIFS



TSLGPM-10 TYPICAL DOWNSPOUT ATTACHMENT



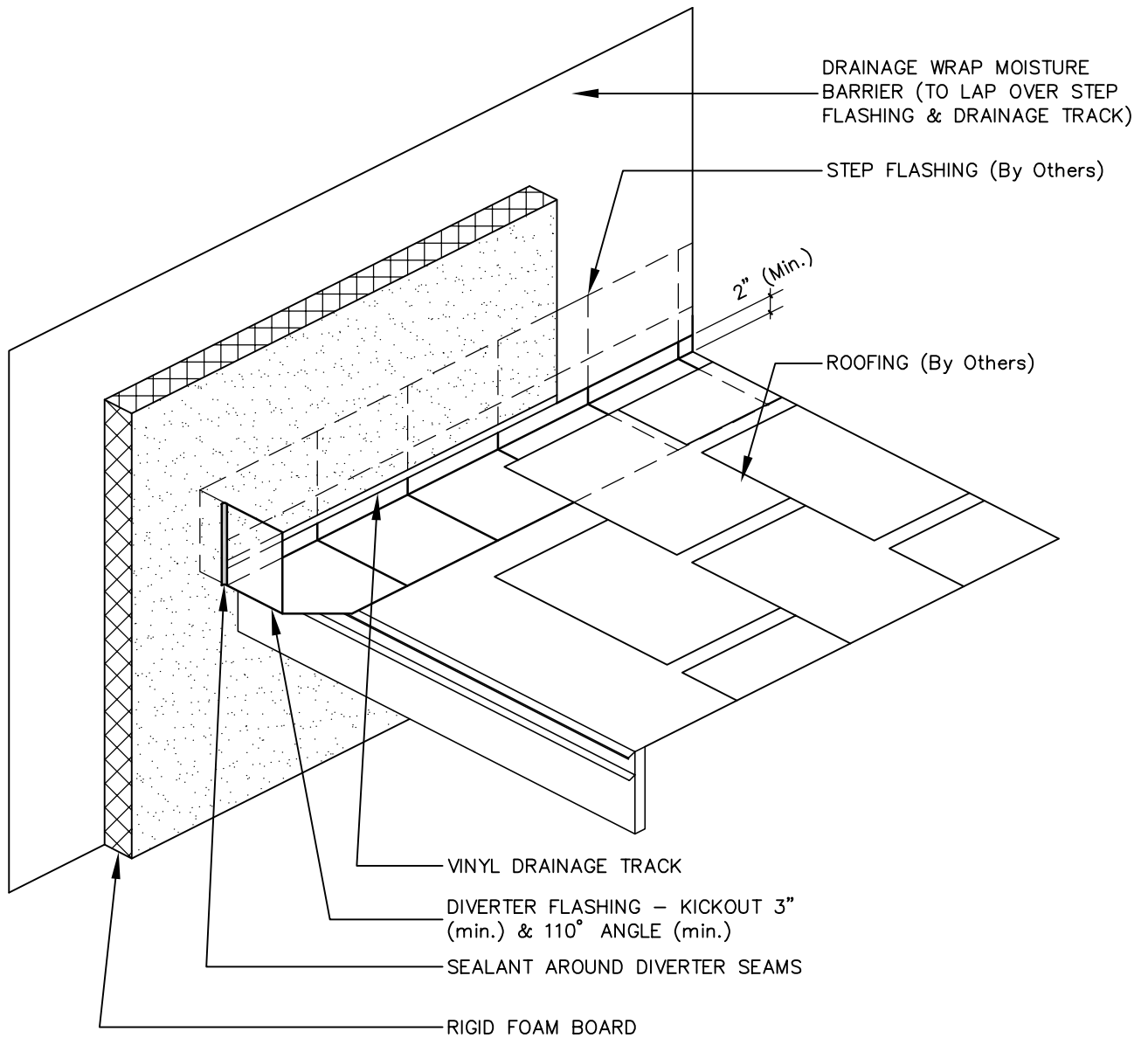
TSLGPM-11 TYPICAL VENT ATTACHMENT

# TOTAL WALL

America's EIFS And Stucco Company!

## TOTAL SL GOLD PM

Class PM Seamless Hard Coat EIFS



TSLGPM-12 TYPICAL KICK-OUT FLASHING

# TOTAL WALL

America's EIFS And Stucco Company!

## TOTAL SL GOLD PM

Class PM Seamless Hard Coat EIFS

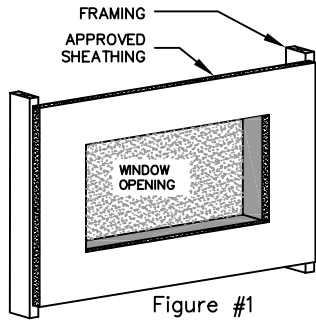


Figure #1

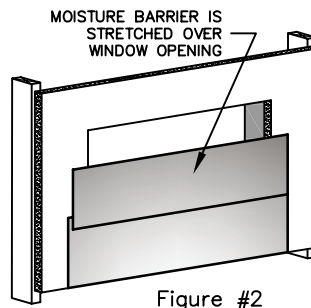


Figure #2

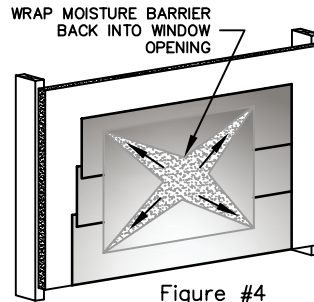


Figure #4

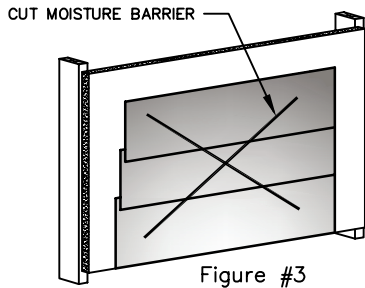


Figure #3

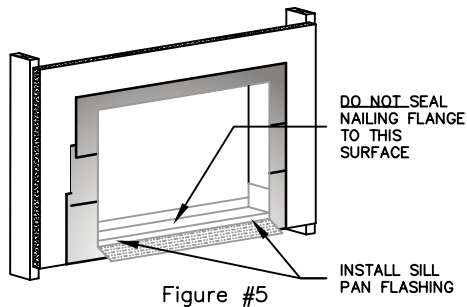


Figure #5

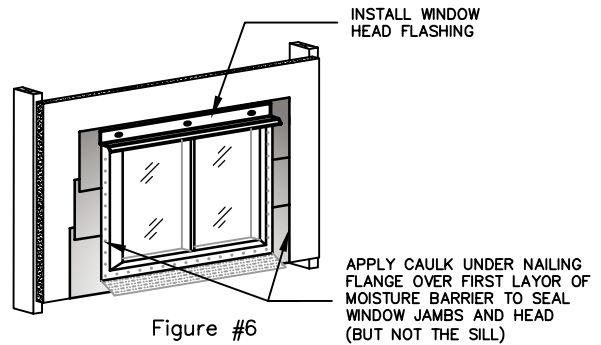


Figure #6

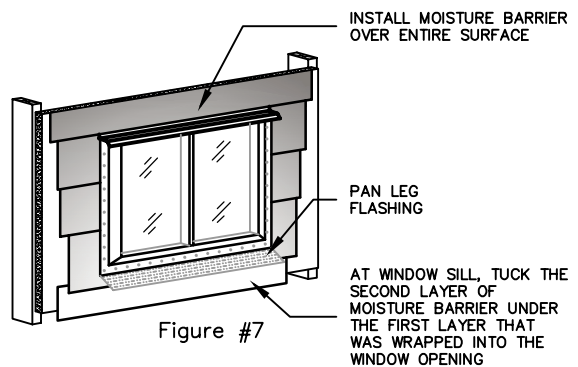
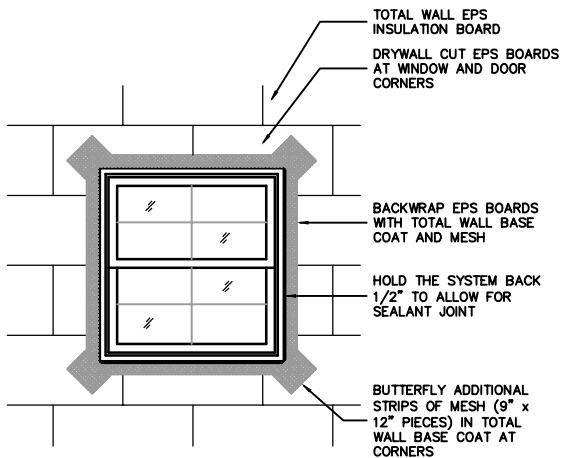


Figure #7



TSLGPM-13 TYPICAL WINDOW OPENING PREPARATION