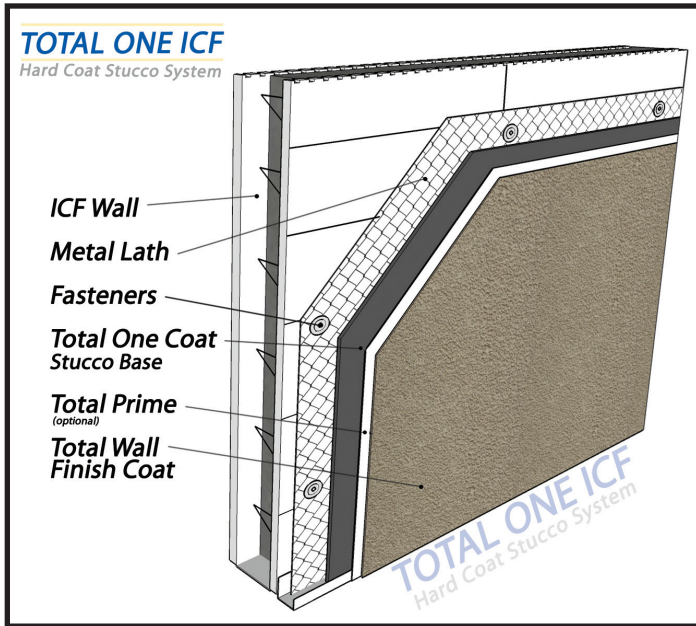


## TOTAL ONE ICF

□ **Section 09220** □  
Masterformat 2004 09-24-23

Hard Coat Stucco System

AMERICA'S EIFS AND STUCCO COMPANY!



There's nothing like the feel, the look and protection of a hard coat Portland cement stucco system. This Portland cement-based hard coat stucco system is designed specifically for Insulated Concrete Form construction.

Self-furring, galvanized metal lath is mechanically fastened directly to the ICF ties. Next, Total One Coat Stucco provides the durable Portland cement stucco based in the specified thickness. The Total Wall Finish Coat is then applied to provide the chosen color and texture. This system is ideal for any ICF structure where a natural masonry look is desired.

- **Energy Efficiency:** Typical R 22
- **Substrates:** ICF (Insulated Concrete Form) walls
- **Design Elements:** Requires control joints every 144 sq. ft. and in accordance with standard lath and plastering practices, can employ reveals and trims
- **Sustainability:** Low VOC, low toxicity, recycled content
- **Impact Resistance:** Good

## Detail Directory

Typical Total One ICF System - Iso	TOICF-01	Pg 1
Typical Total One ICF System -Top View	TOICF-01	Pg 1
Typical Window/Door Head (Flush)	TOICF-03.1	Pg 2
Typical Window/Door Head (Recessed)	TOICF-03.2	Pg 2
Typical Window/Door Head (Flush)	TOICF-03.3	Pg 3
Typical Window Sill (Flush)	TOICF-04.1	Pg 3
Typical Window Sill (Recessed)	TOICF-04.2	Pg 4
Typical Window Sill (Flush)	TOICF-04.3	Pg 4
Typical Window/Door Jamb (Flush)	TOICF-05.1	Pg 5
Typical Window/Door Jamb (Recessed)	TOICF-05.2	Pg 5
Typical Window/Door Jamb (Flush)	TOICF-05.3	Pg 6
Typical Expansion Joint	TOICF-06.1	Pg 6
Typical Control Joint	TOICF-06.2	Pg 7
Typical Stucco @ Masonry Sill	TOICF-08	Pg 7
Typical Pipe Penetration	TOICF-09	Pg 8
Typical Downspout Attachment	TOICF-10	Pg 8
Typical Vent Attachment	TOICF-11	Pg 9
Typical Grade Termination	TOICF-13	Pg 9
Typical Window Opening Preparation	TOICF-14	Pg 10

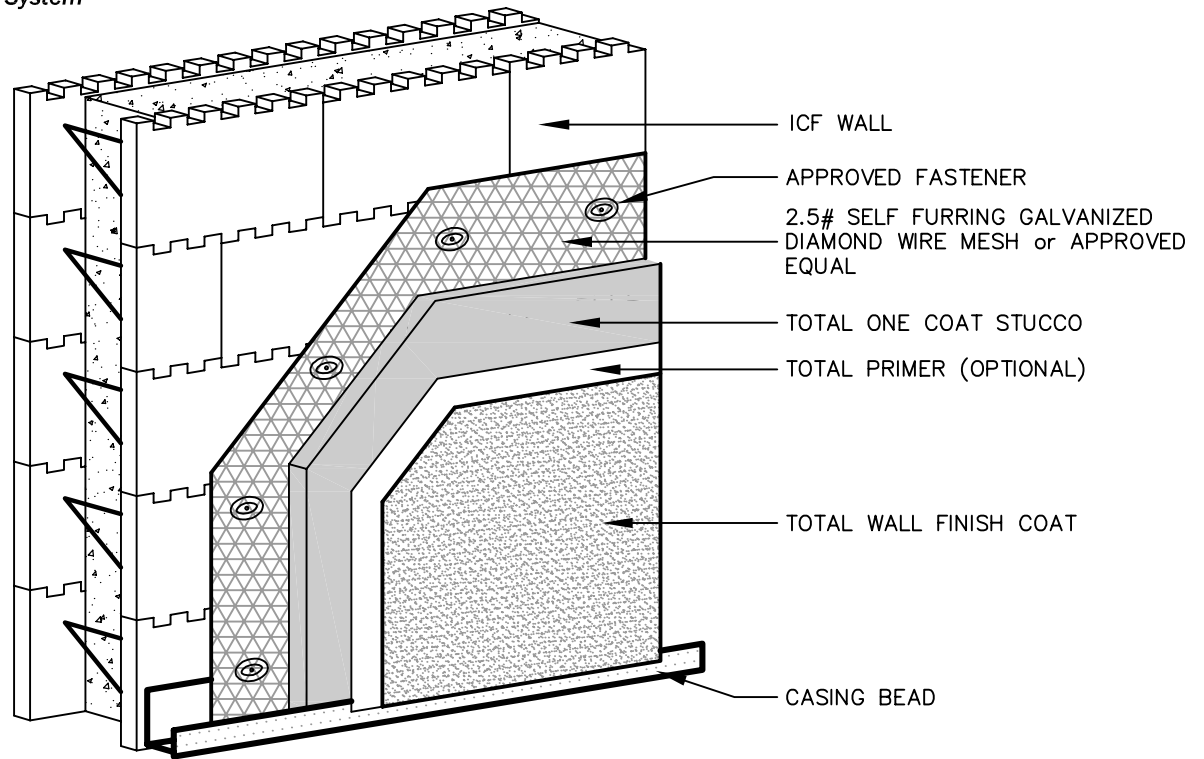
**TOTAL WALL**  
AMERICA'S EIFS AND STUCCO COMPANY!

Ph 888.702.9915 Fax 888.702.9916 totalwall.com

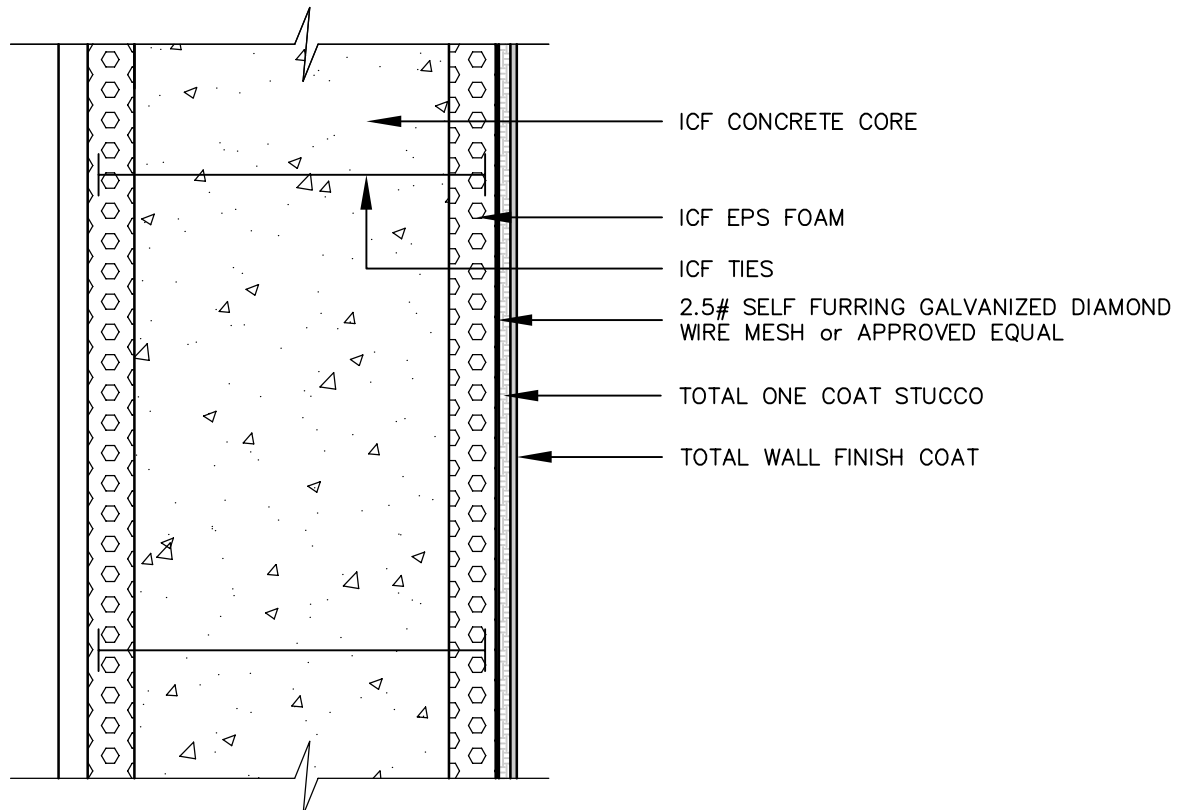
# TOTAL WALL

America's EIFS And Stucco Company!

## TOTAL ONE ICF Hard Coat Stucco System



TOICF-01 TYPICAL TOTAL ONE ICF HARD COAT STUCCO - ISOMETRIC

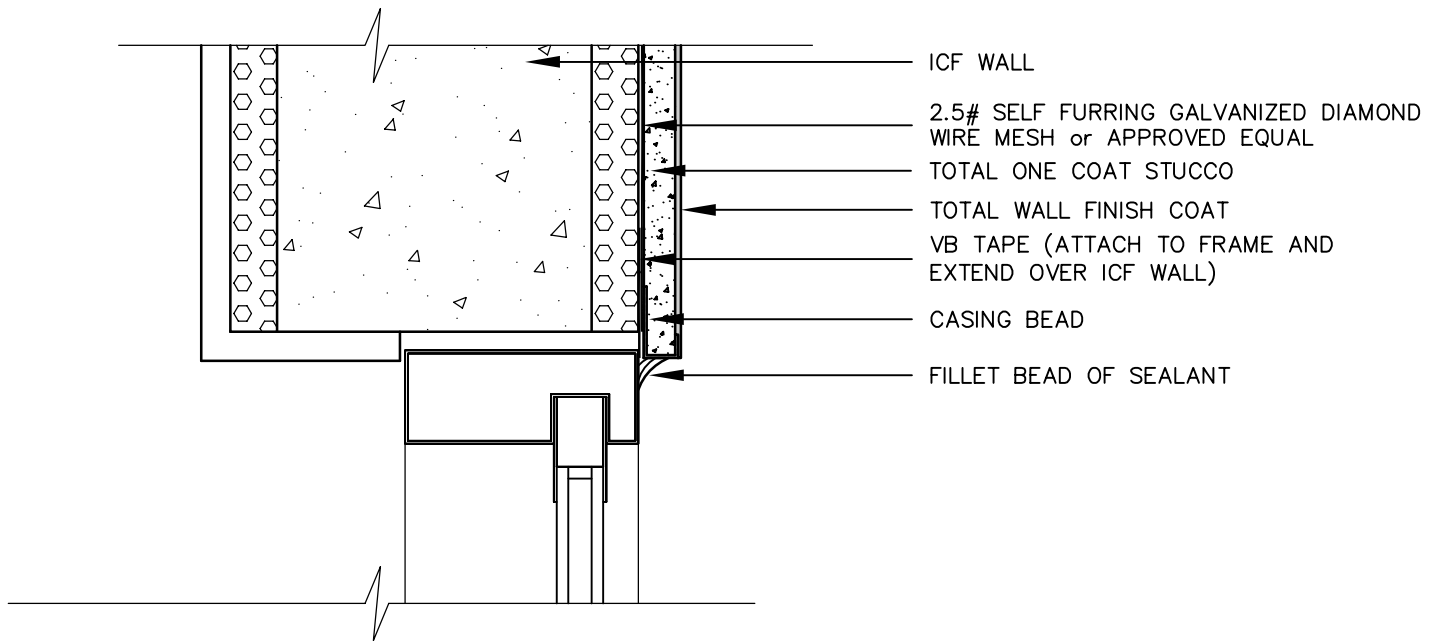


TOICF-02 TYPICAL TOTAL ONE ICF HARD COAT STUCCO - PLAN VIEW

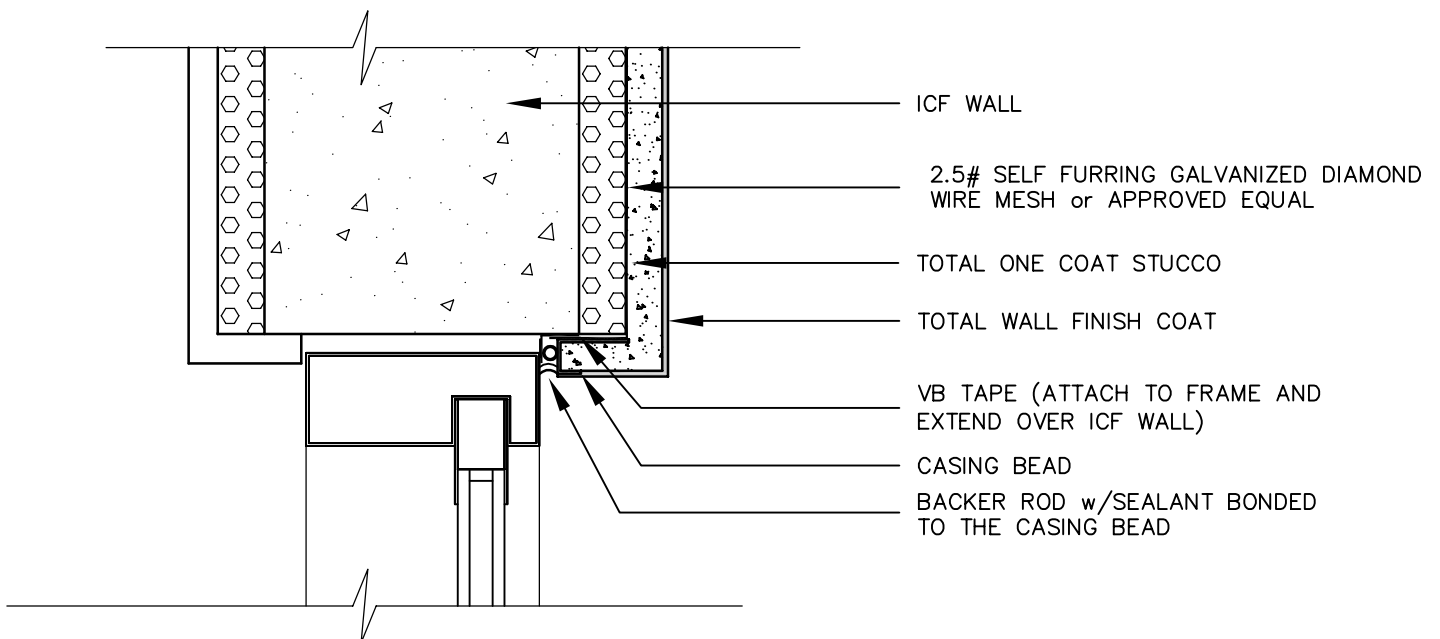
# TOTAL WALL

America's EIFS And Stucco Company!

## TOTAL ONE ICF Hard Coat Stucco System



TOICF-03.1 TYPICAL WINDOW/DOOR HEAD

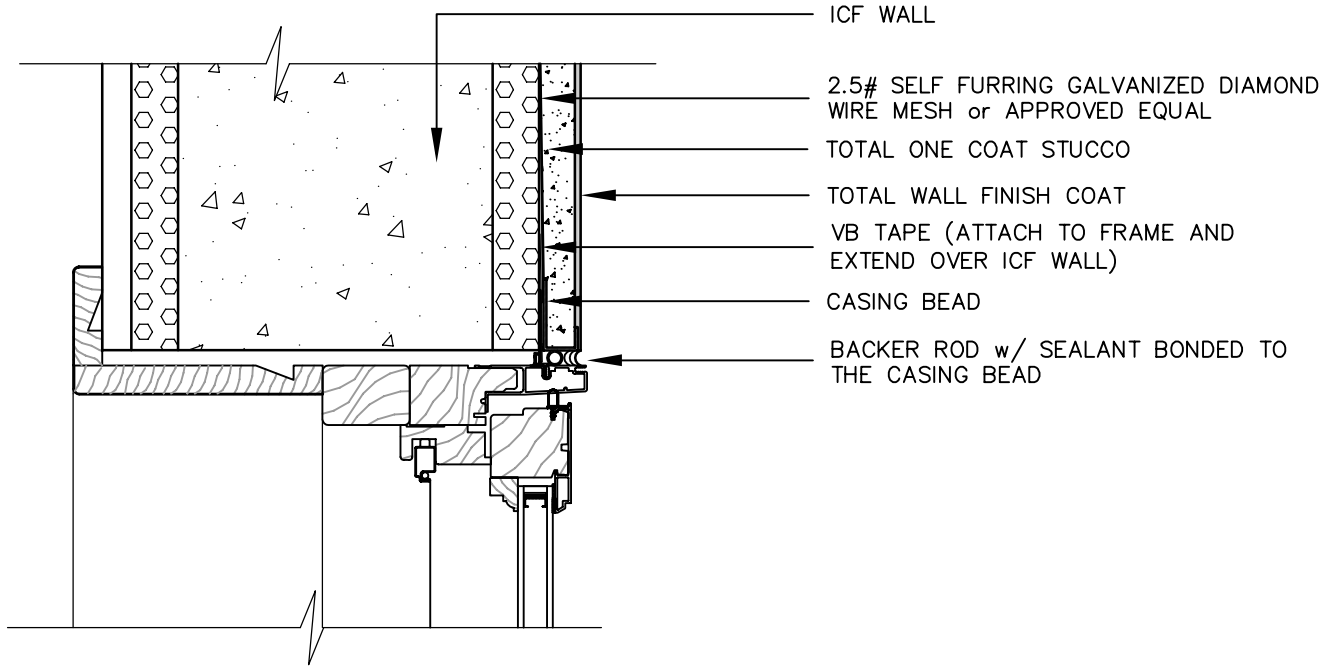


TOICF-03.2 TYPICAL WINDOW/DOOR HEAD (RECESSED)

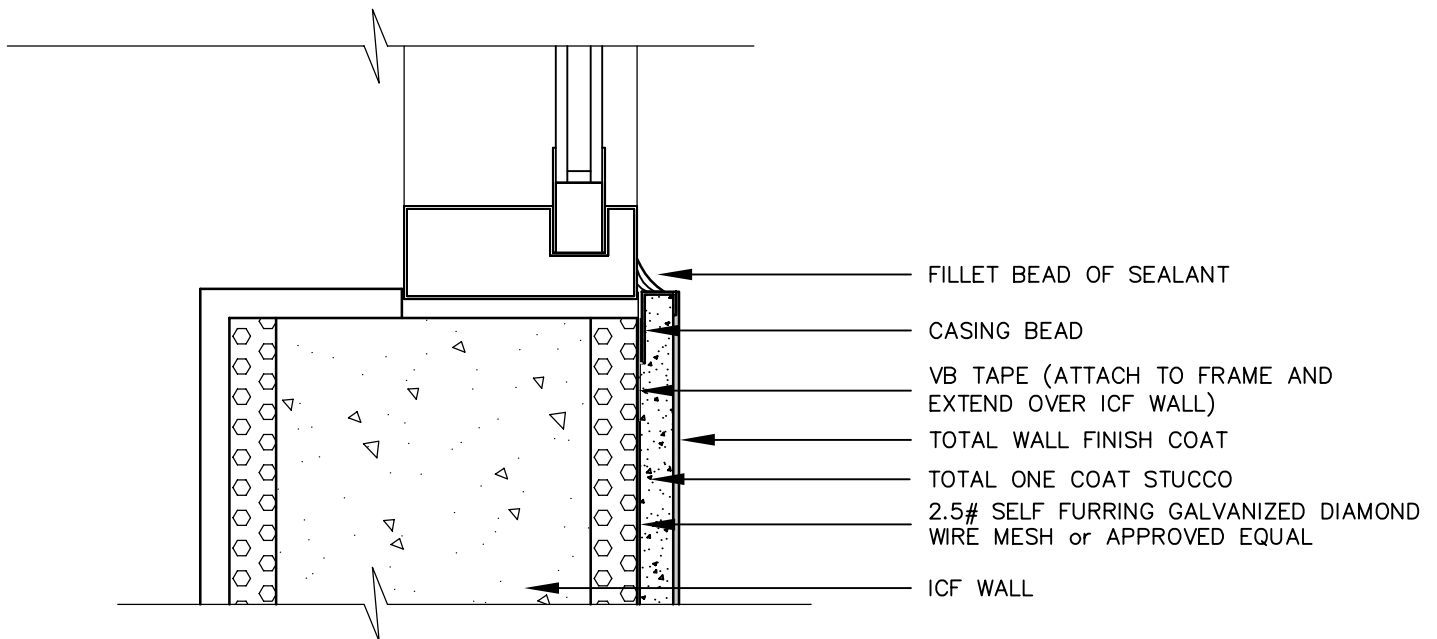
# TOTAL WALL

America's EIFS And Stucco Company!

## TOTAL ONE ICF Hard Coat Stucco System



TOICF-03.3 TYPICAL WINDOW /DOOR HEAD (FLUSH)

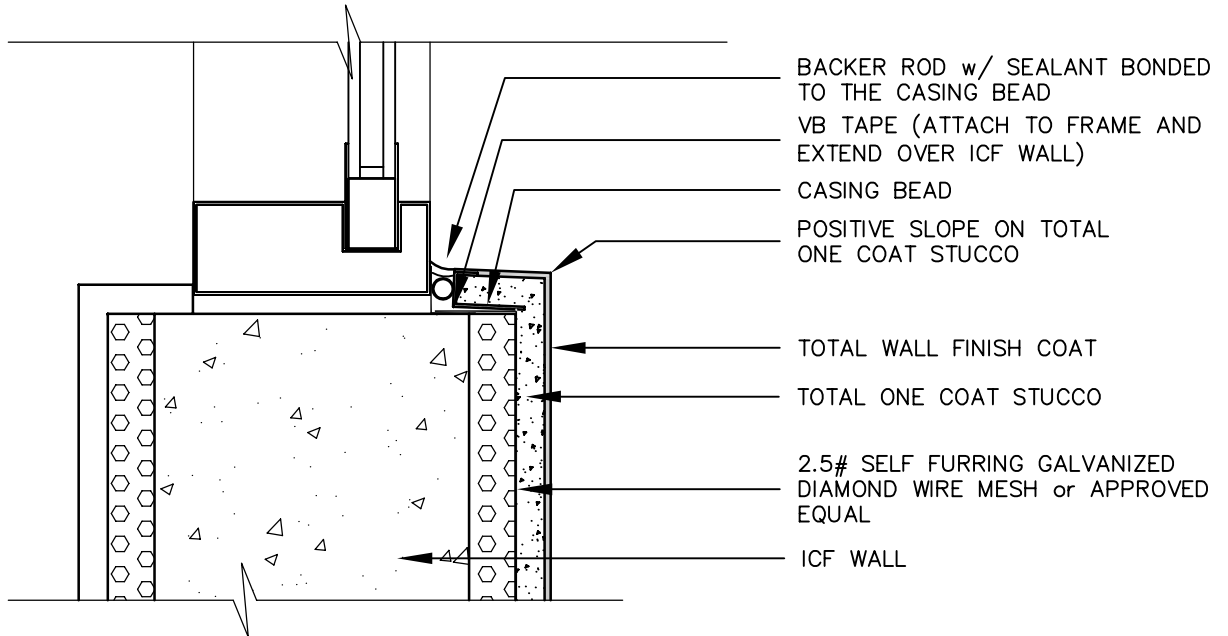


TOICF-04.1 TYPICAL WINDOW SILL (FLUSH)

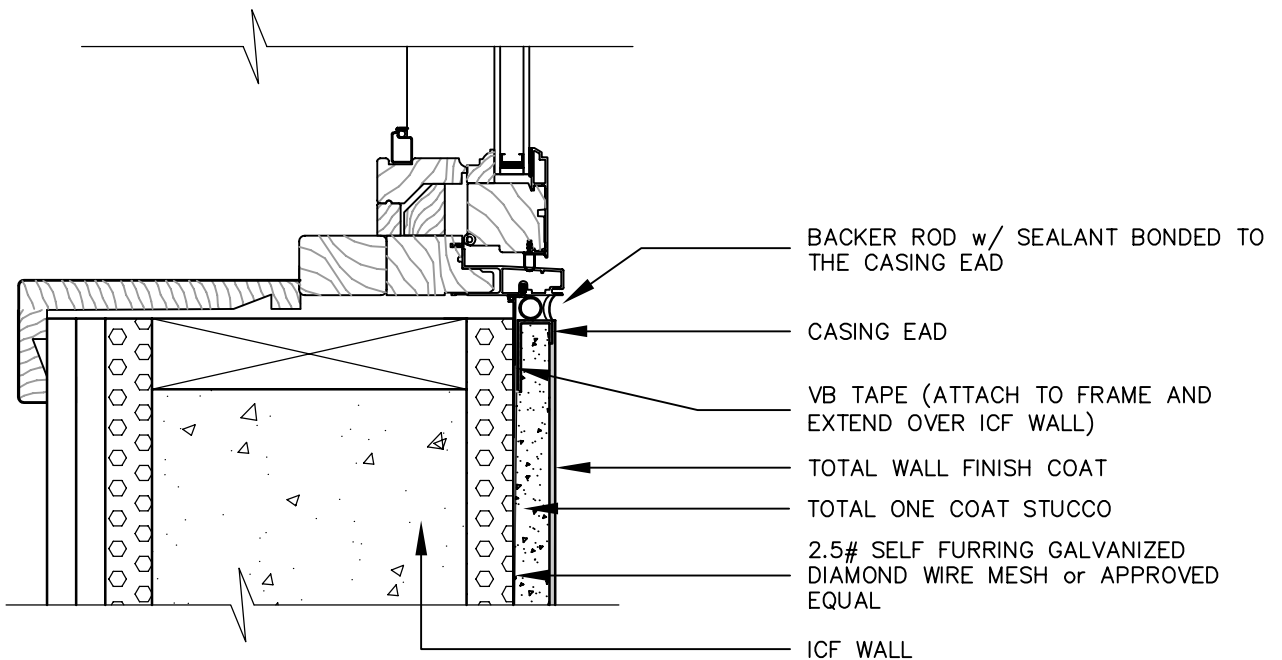
# TOTAL WALL

America's EIFS And Stucco Company!

## TOTAL ONE ICF Hard Coat Stucco System



TOICF-04.2 TYPICAL WINDOW SILL (RECESSED)

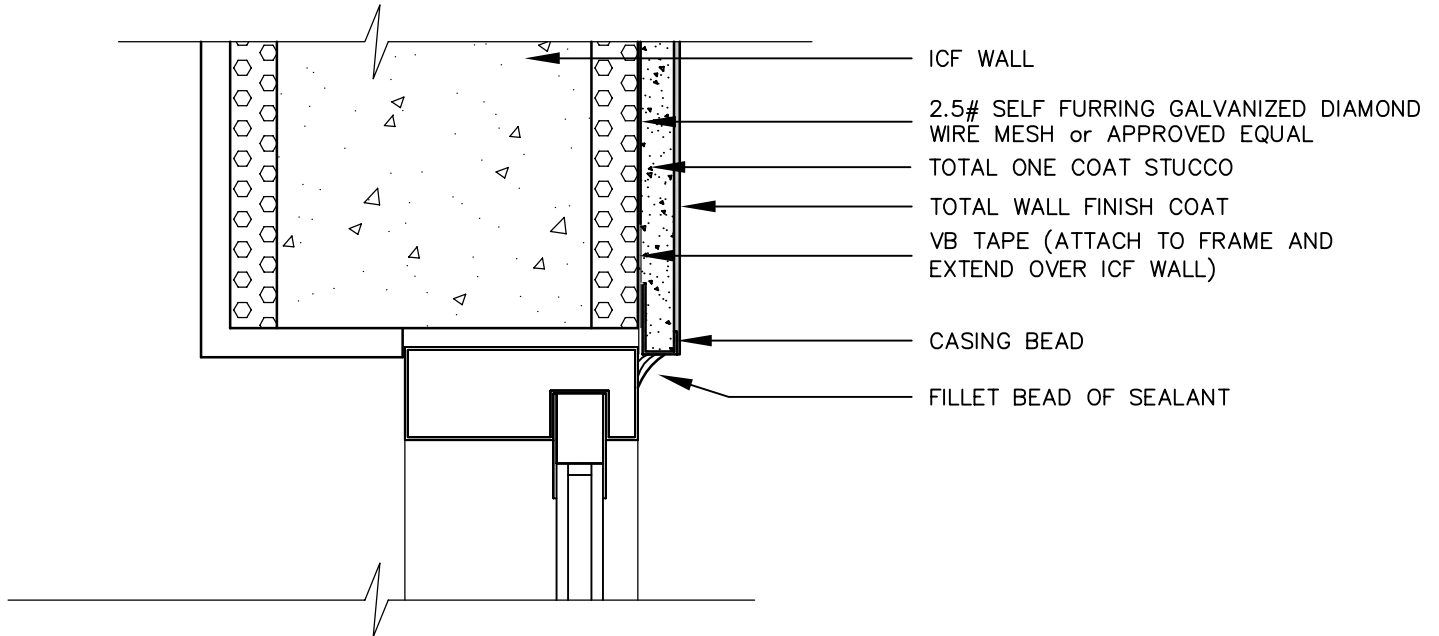


TOICF-04.3 TYPICAL WINDOW SILL (FLUSH)

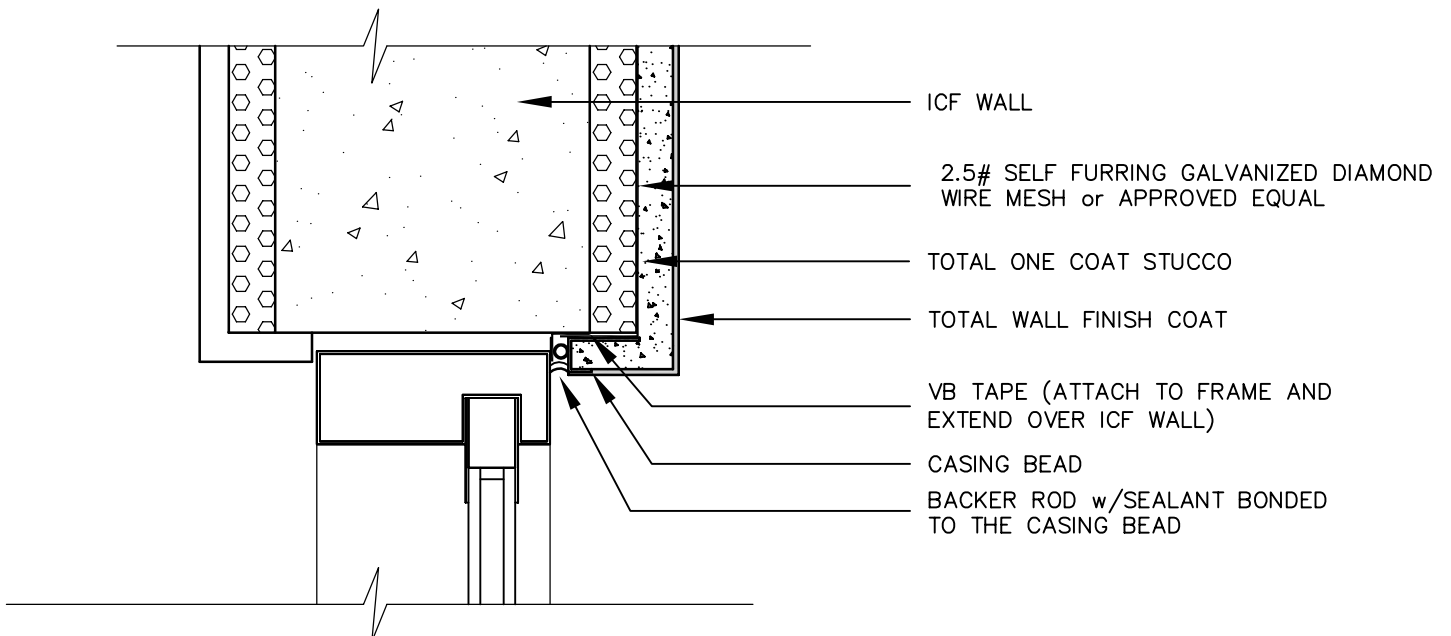
# TOTAL WALL

America's EIFS And Stucco Company!

## TOTAL ONE ICF Hard Coat Stucco System



TOICF-05.1 TYPICAL WINDOW/DOOR JAMB (FLUSH) - TOP VIEW

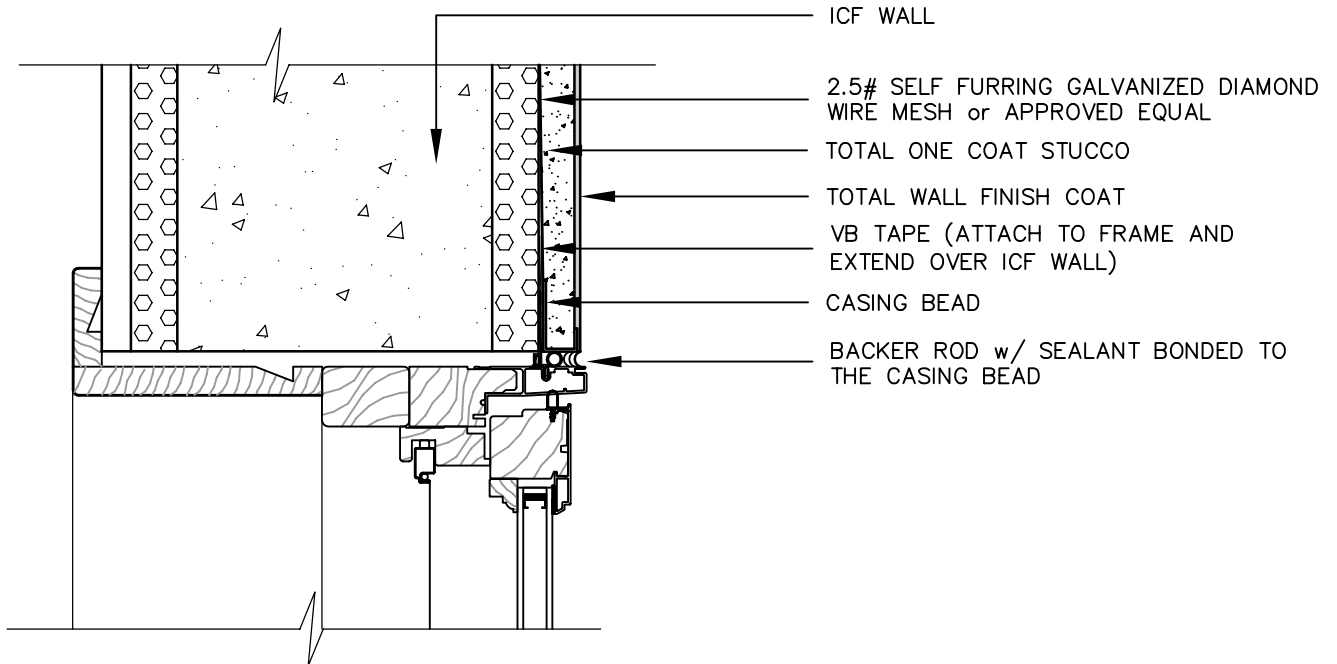


TOICF-05.2 TYPICAL WINDOW/DOOR JAMB (RECESSED) - TOP VIEW

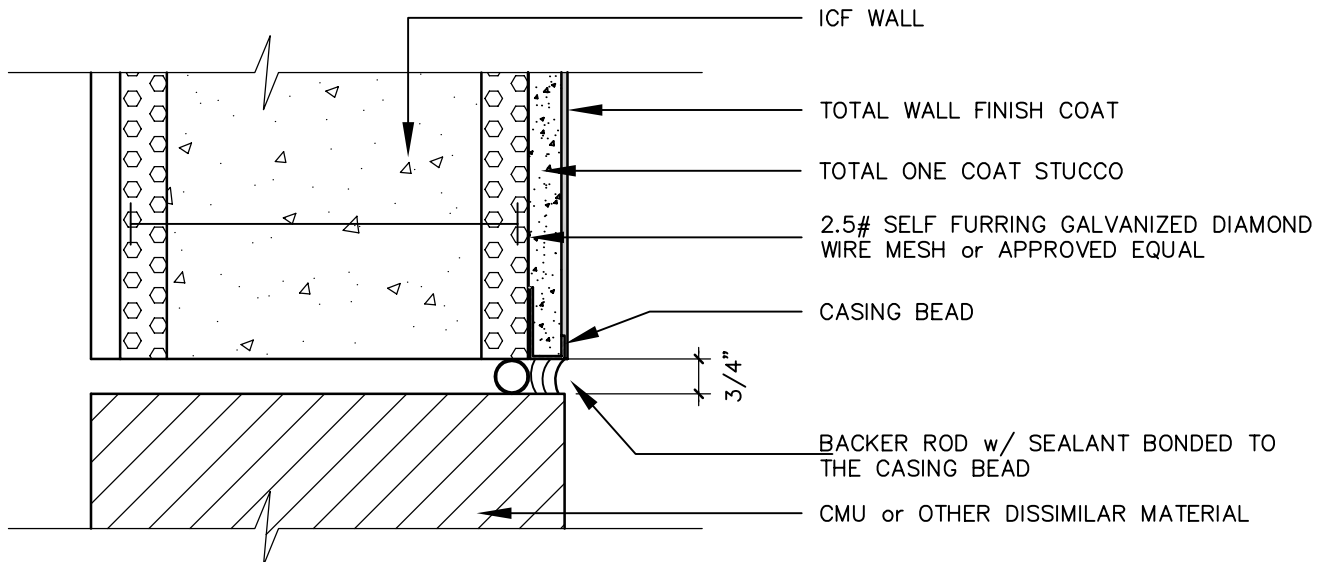
# TOTAL WALL

America's EIFS And Stucco Company!

## TOTAL ONE ICF Hard Coat Stucco System



TOICF-5.3 TYPICAL WINDOW/DOOR JAMB (FLUSH) - TOP VIEW

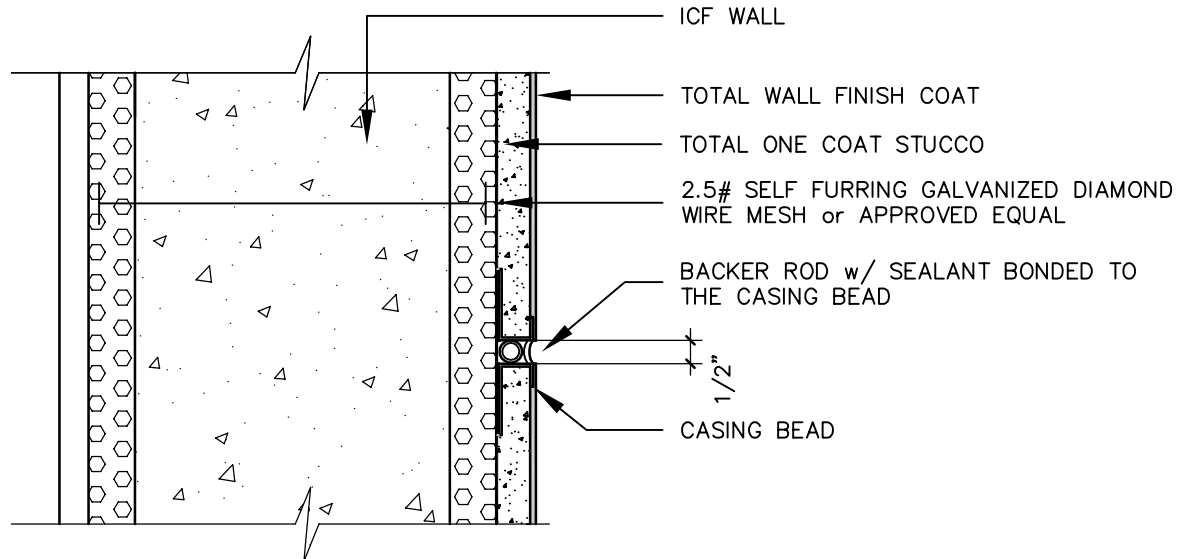


TOICF-6.1 TYPICAL EXPANSION JOINT

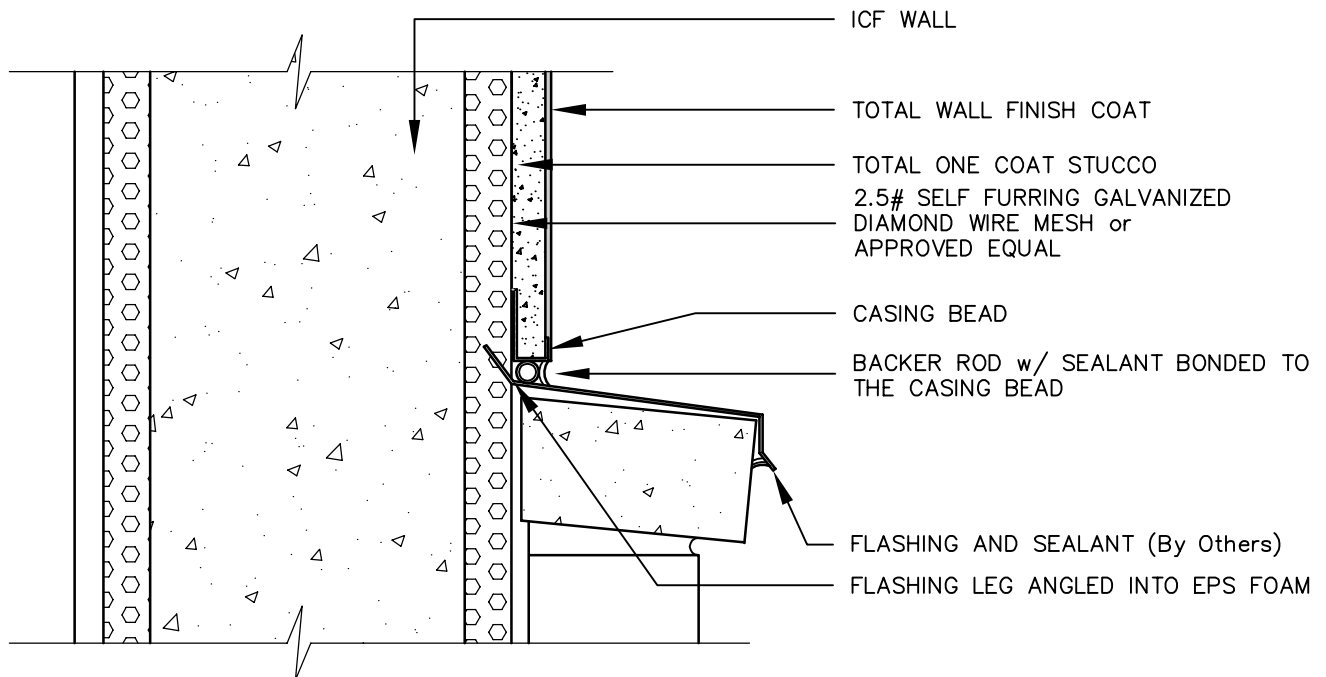
# TOTAL WALL

America's EIFS And Stucco Company!

## TOTAL ONE ICF Hard Coat Stucco System



TOICF-06.2 TYPICAL CONTROL JOINT



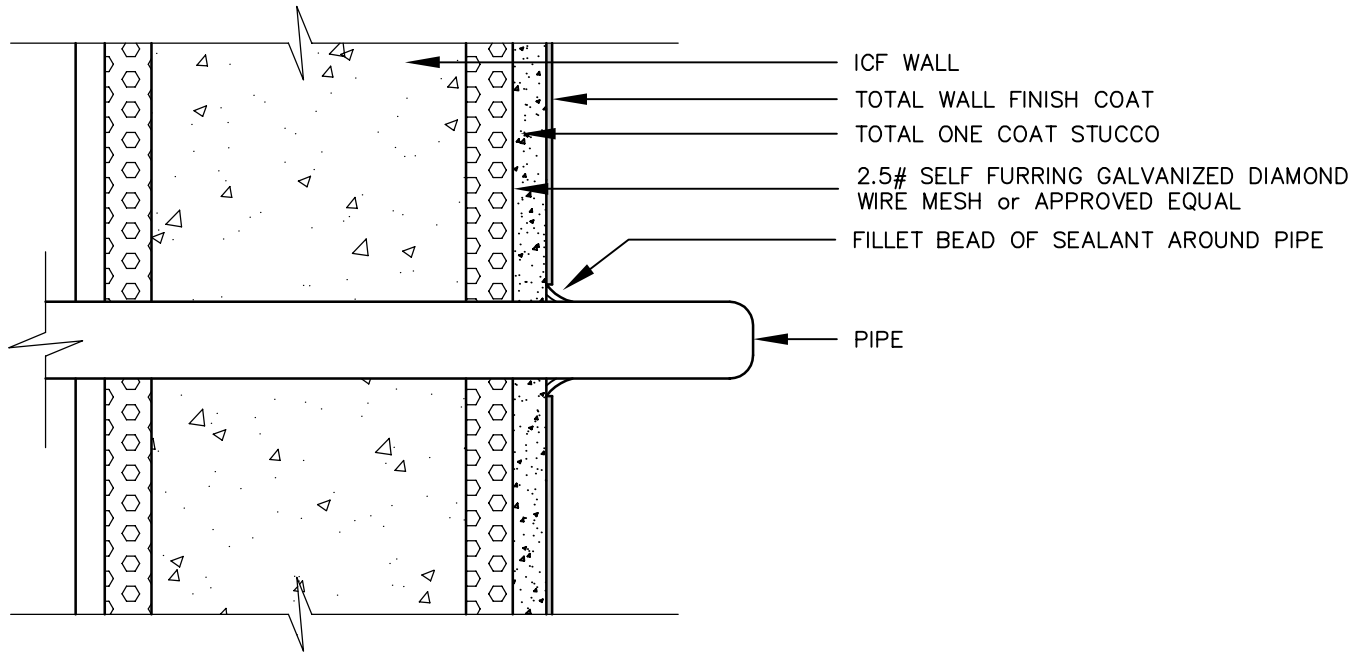
TOICF-08 TYPICAL STUCCO @ MASONRY SILL



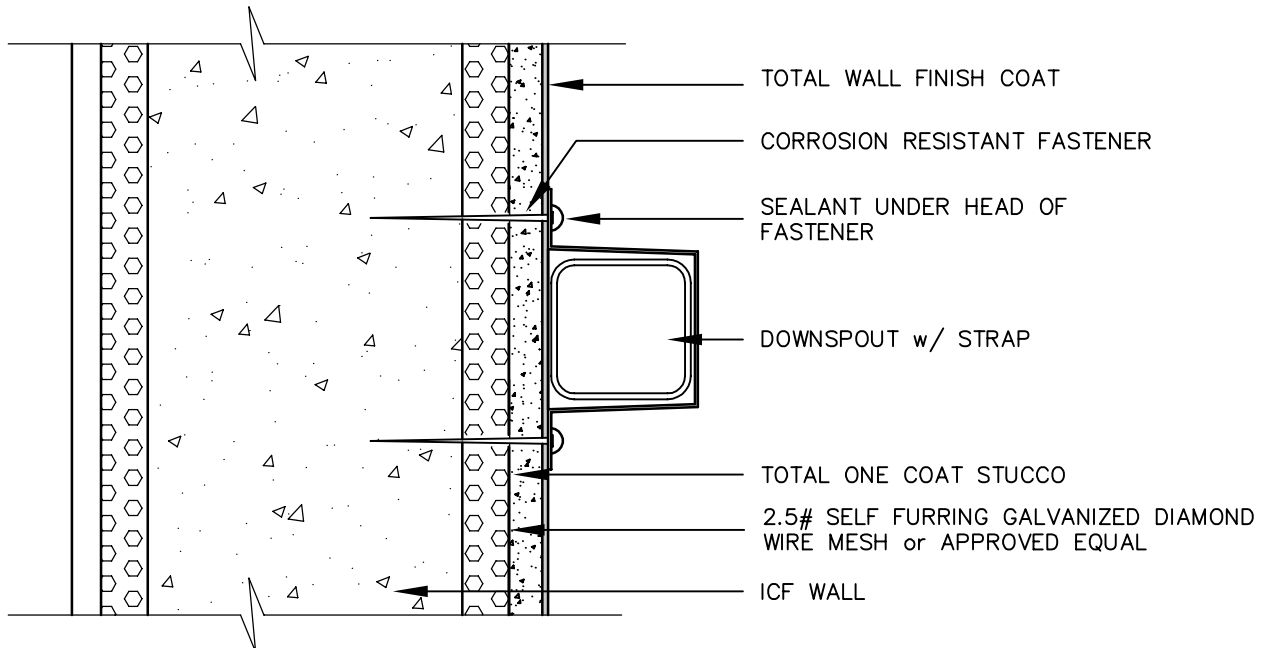
# TOTAL WALL

America's EIFS And Stucco Company!

## TOTAL ONE ICF Hard Coat Stucco System



TOICF-09 TYPICAL PIPE PENETRATION

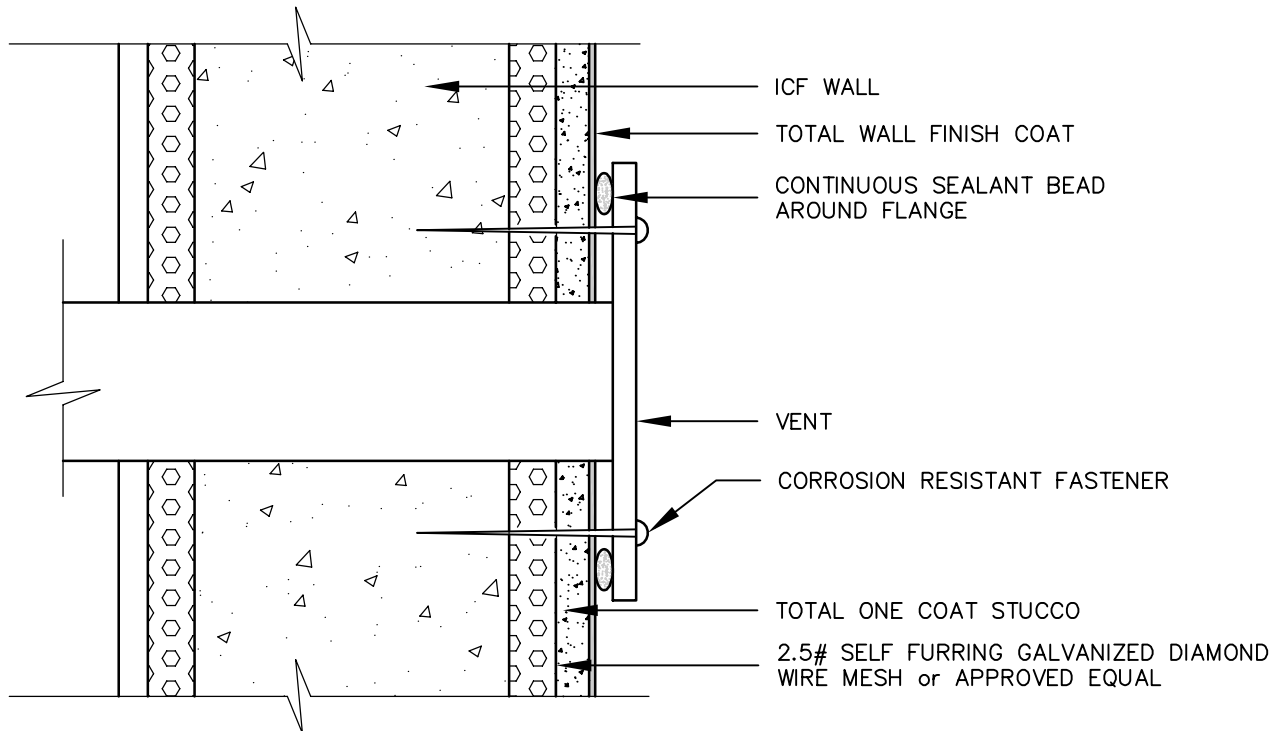


TOICF-10 TYPICAL DOWNSPOUT ATTACHMENT

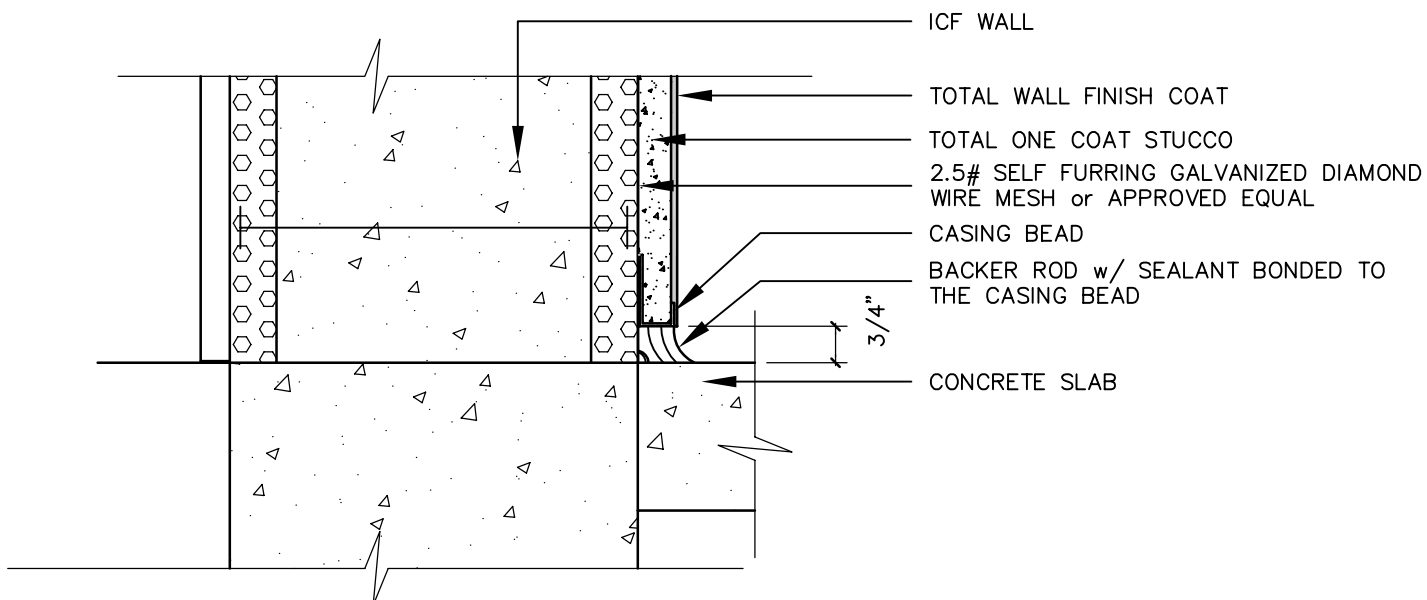
# TOTAL WALL

America's EIFS And Stucco Company!

## TOTAL ONE ICF Hard Coat Stucco System



TOICF-11 TYPICAL VENT ATTACHMENT



TOICF-13 TYPICAL GRADE TERMINATION DETAIL

# TOTAL WALL

America's EIFS And Stucco Company!

## TOTAL ONE ICF Hard Coat Stucco System

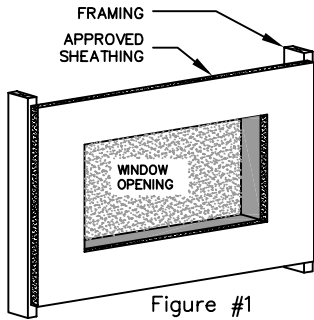


Figure #1

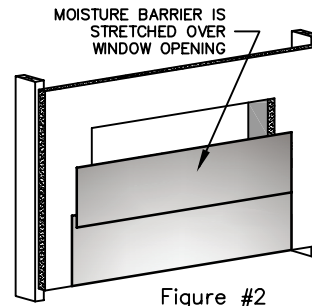


Figure #2

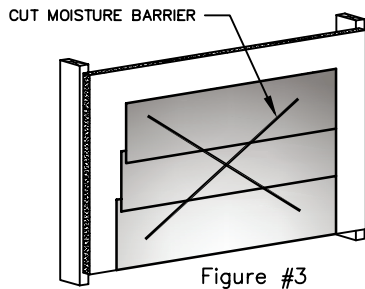


Figure #3

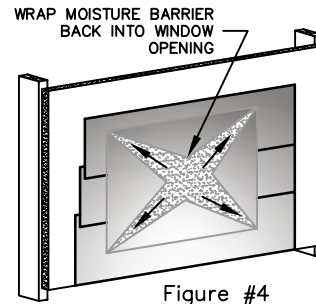


Figure #4

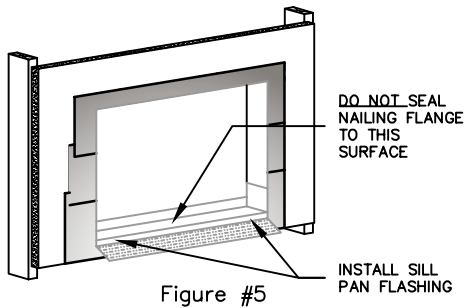


Figure #5

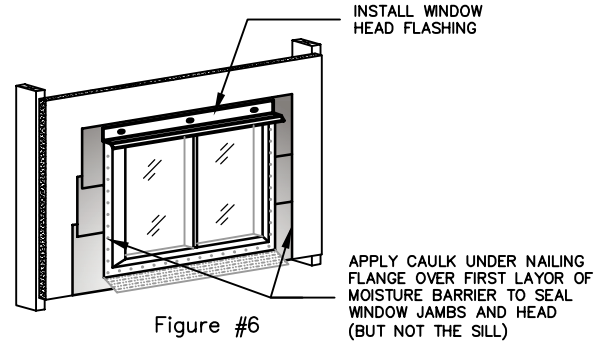


Figure #6

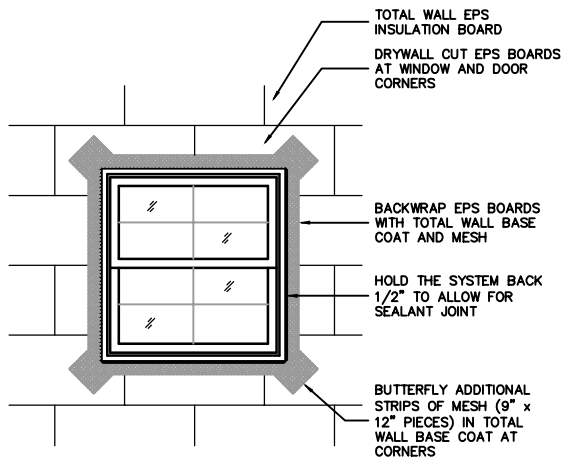


Figure #7

### TOICF-14 TYPICAL WINDOW OPENING PREPARATION