

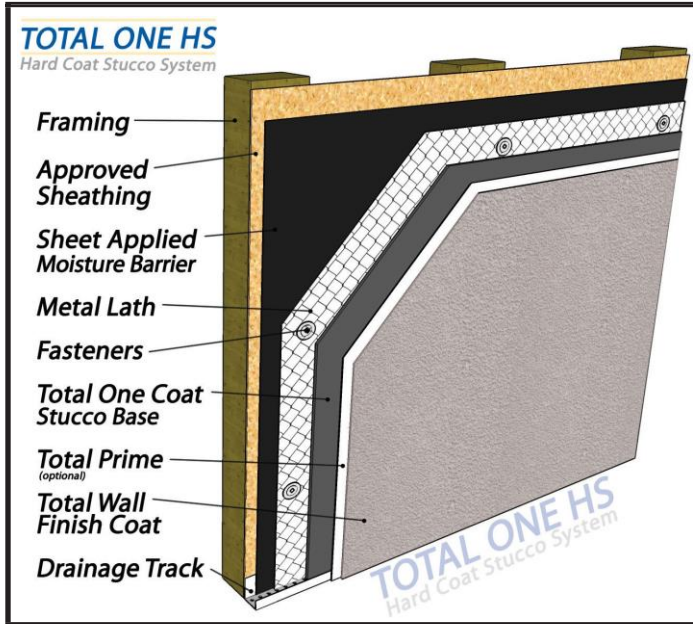
TOTAL ONE HS

Section 09220
Master format 2004 09-24-

Hard Coat Stucco System

AMERICA'S EIFS AND STUCCO COMPANY!

Detail Directory



Total One HS is our traditional hard coat Portland cement stucco system which incorporates our time-saving Total One Coat stucco base and our high-performance Total Wall Synthetic Finish Coat. Total One HS can be direct-applied over any raw masonry substrate, or by adding a moisture barrier and metal lath. Total One HS can be applied over any sheathing, siding or painted masonry substrate.

Available in unlimited colors and a variety of textures. Total One HS provides a durable and impact resistant natural masonry exterior cladding system. This system can easily employ architectural enhancements, such as quoins, trim bands, reveals and arches.

- **Energy Efficiency:** Typical R 1.5 based on average combined sheathing and stucco layers.
- **Substrates:** Any exterior frame/sheathing wall substrate
- **Design Elements:** Requires use of control joints, can employ reveals and trims, high impact resistance
- **Sustainability:** Low VOC, low toxicity, employs recycle content.

Typical Total One HS System - Iso	TOHS-01	Pg. 1
Typical Total One HS -Top View	TOHS-02	Pg. 1
Typical Window/Door Head (Flush)	TOHS-03.1	Pg. 2
Typical Window/Door Head (Recessed)	TOHS-03.2	Pg. 2
Typical Window/Door Head (Flush)	TOHS-03.3	Pg. 3
Typical Windowsill (Flush)	TOHS-04.1	Pg. 3
Typical Windowsill (Recessed)	TOHS-04.2	Pg. 4
Typical Windowsill (Flush)	TOHS-04.3	Pg. 4
Typical Window/Door Jamb (Flush)	TOHS-05.1	Pg. 5
Typical Window/Door Jamb (Recessed)	TOHS-05.2	Pg. 5
Typical Window/Door Jamb (Flush)	TOHS-05.3	Pg. 6
Typical Expansion Joint	TOHS-06.1	Pg. 6
Typical Control Joint	TOHS-06.2	Pg. 7
Typical Control Joint Elevation	TOHS-06.3	Pg. 7
Typical Stucco @ Masonry Sill	TOHS-08.1	Pg. 8
Typical Stucco @ Masonry Sill	TOHS-08.2	Pg. 8
Typical Pipe Penetration	TOHS-09	Pg. 9
Typical Downspout Attachment	TOHS-10	Pg. 9
Typical Vent Attachment	TOHS-11	Pg.10
Typical Kickout Flashing	TOHS-12	Pg.10
Typical Window Opening Preparation	TODS-13	Pg. 11

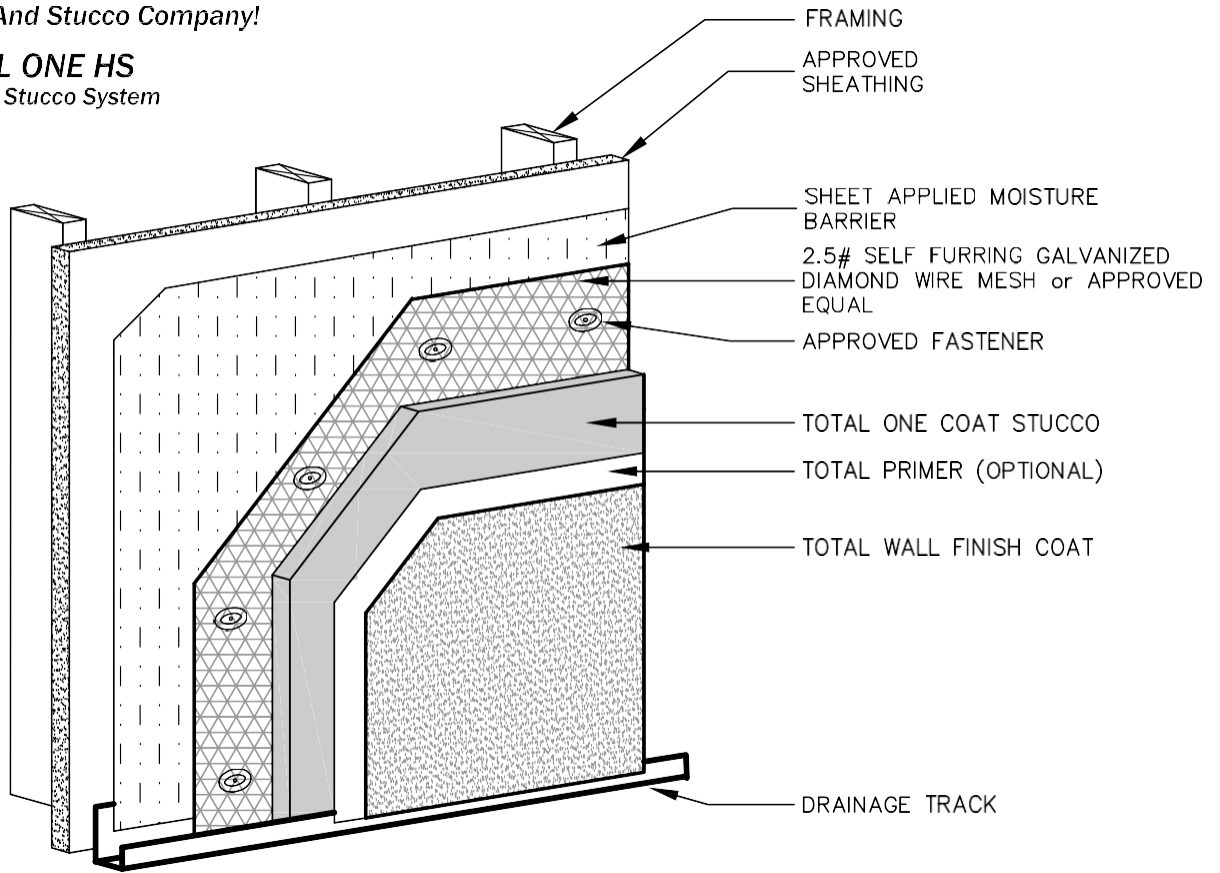
TOTAL WALL
AMERICA'S EIFS AND STUCCO COMPANY!

Ph 888.702.9915 Fax 888.702.9916 totalwall.com

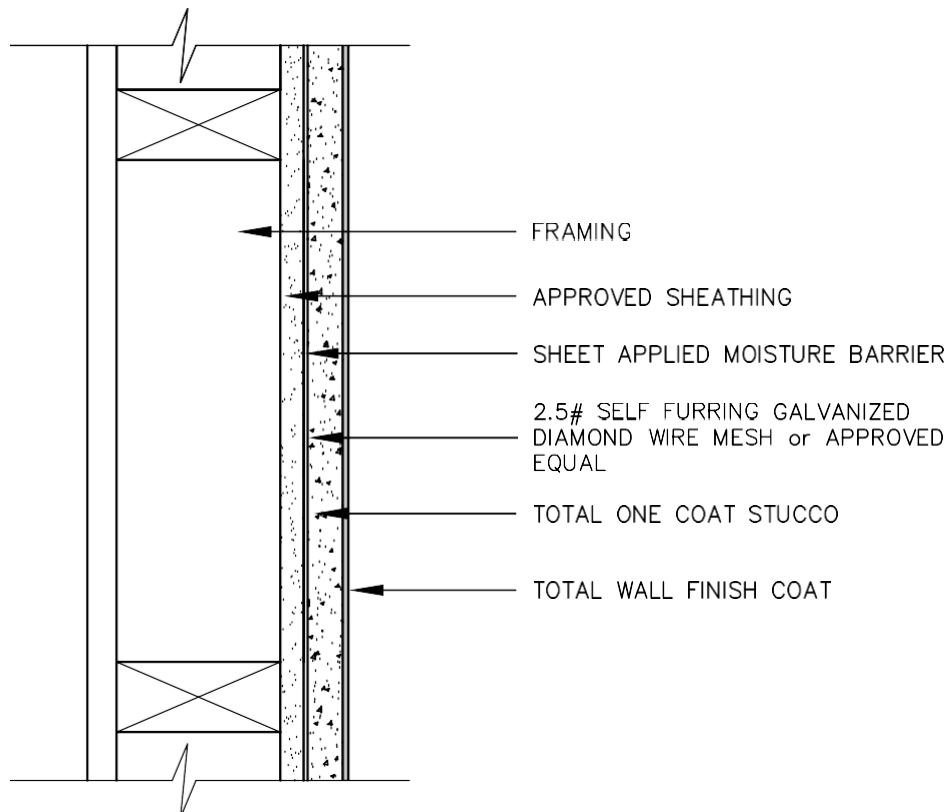
TOTAL WALL

America's EIFS And Stucco Company!

TOTAL ONE HS Hard Coat Stucco System



TOHS-01 TYPICAL TOTAL ONE HARD COAT STUCCO - ISOMETRIC

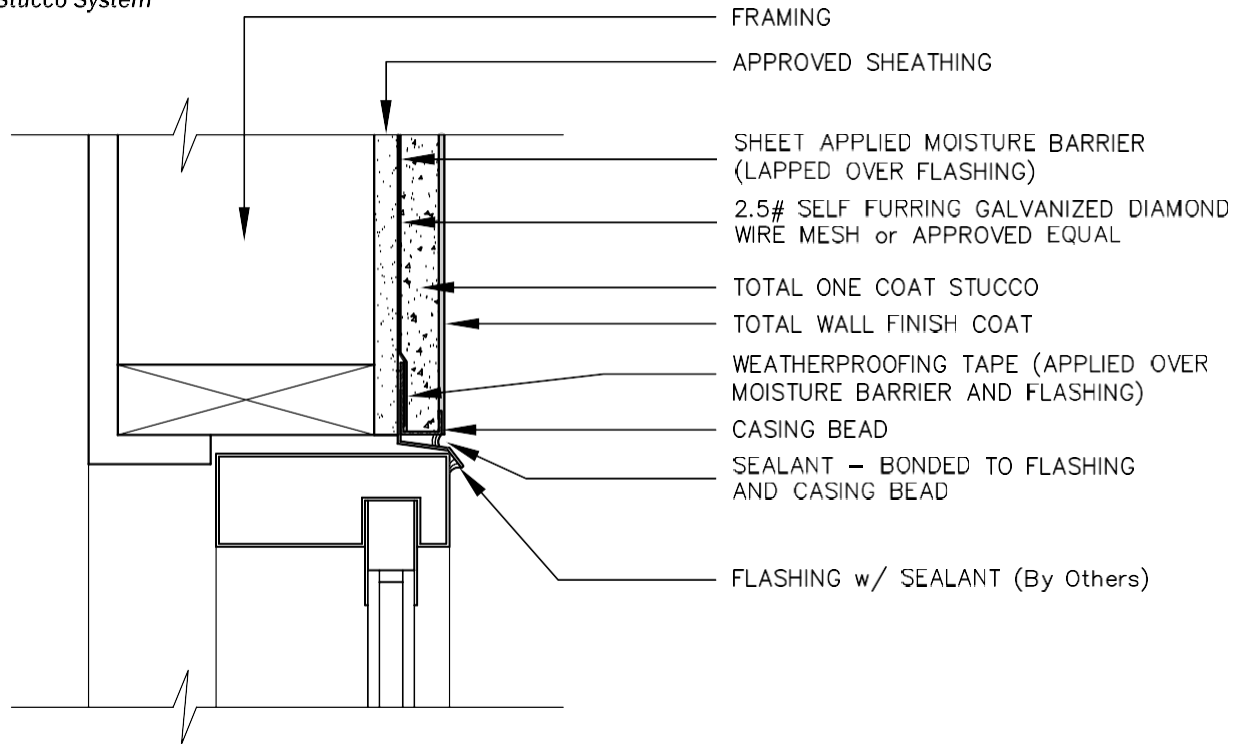


TOHS-02 TYPICAL TOTAL ONE HARD COAT STUCCO - PLAN VIEW

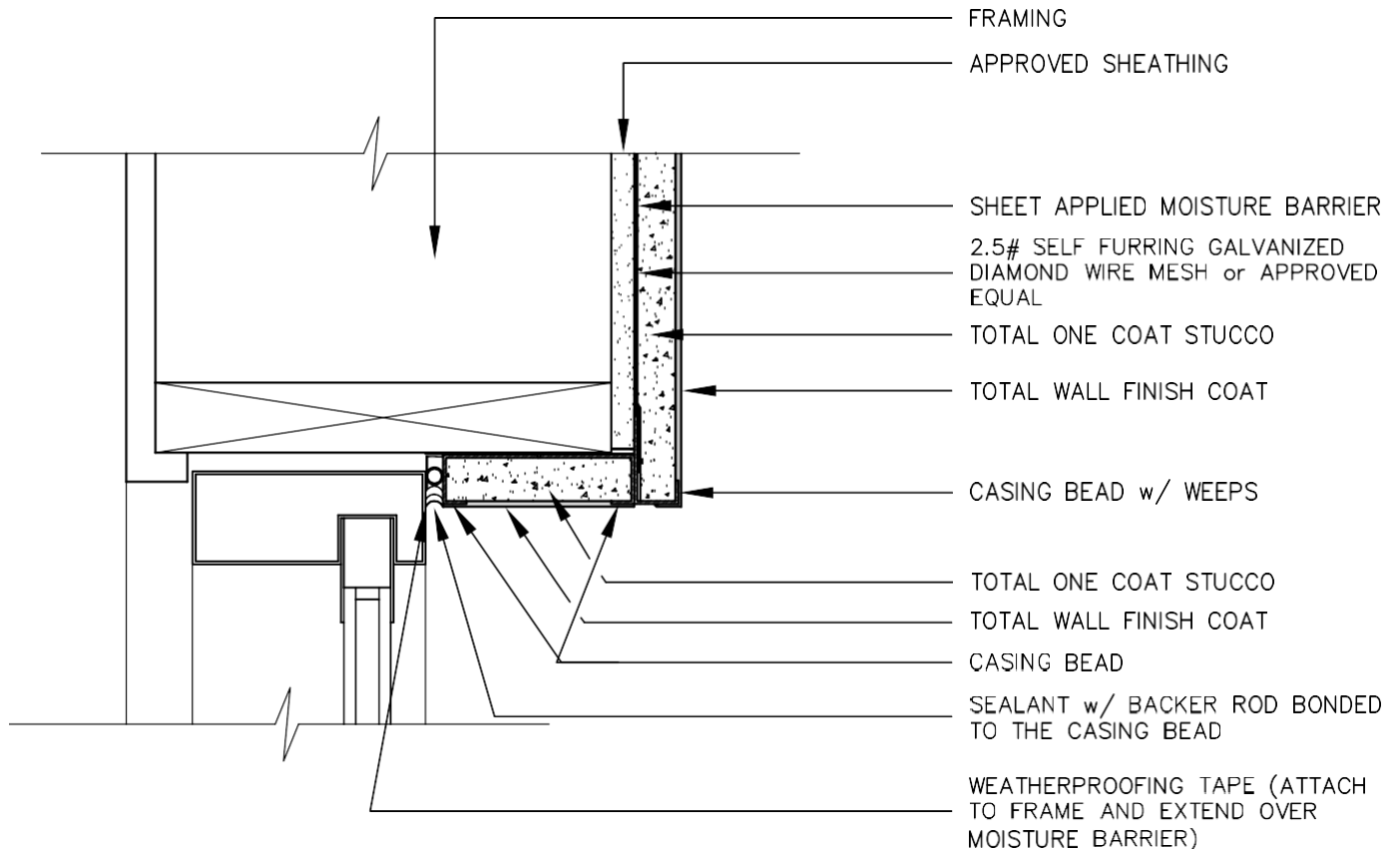
TOTAL WALL

America's EIFS And Stucco Company!

TOTAL ONE HS Hard Coat Stucco System



TOHS-03.1 TYPICAL WINDOW/DOOR HEAD (FLUSH)

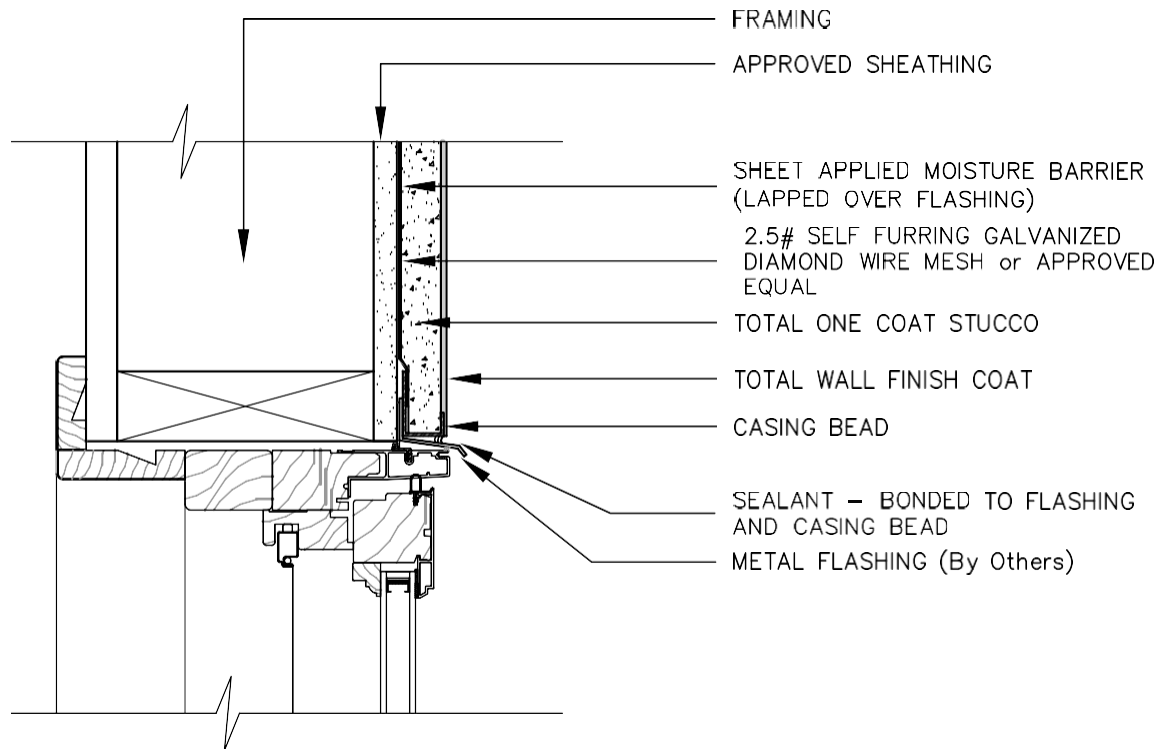


TOHS-03.2 TYPICAL WINDOW /DOOR HEAD (RECESSED)

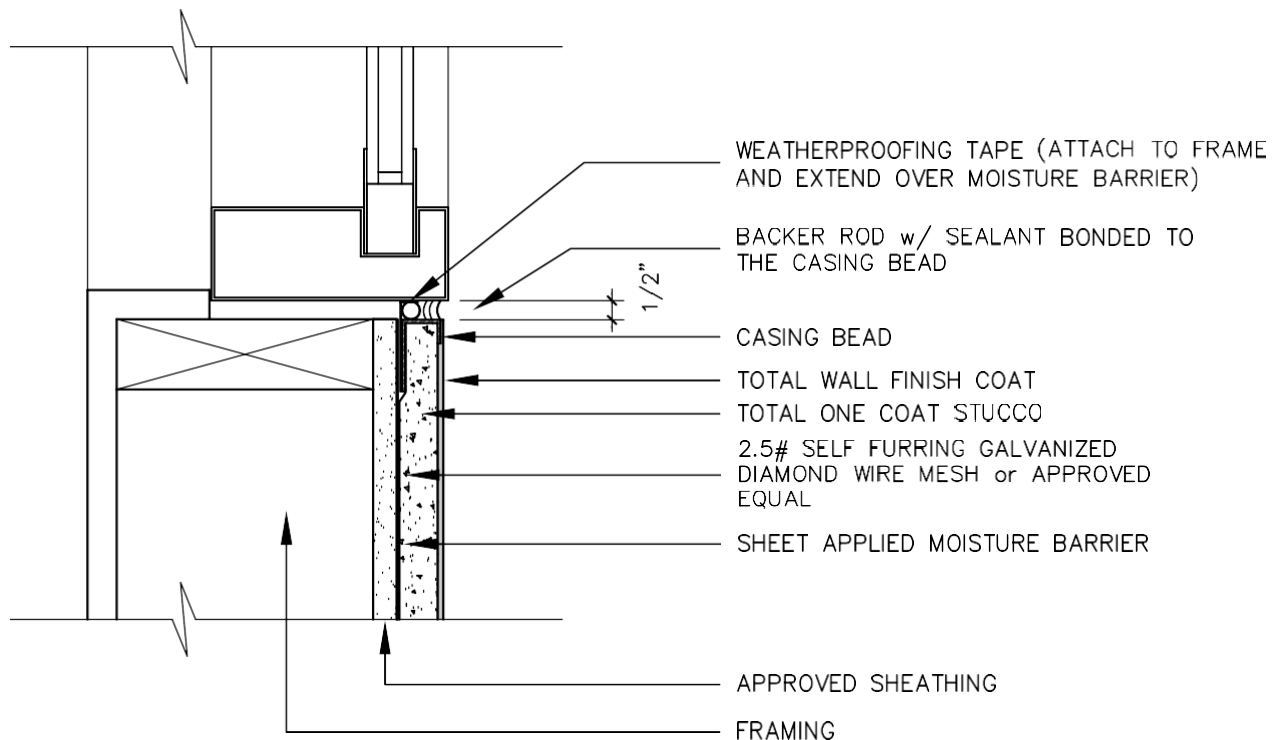
TOTAL WALL

America's EIFS And Stucco Company!

TOTAL ONE HS Hard Coat Stucco System



TOHS-03.3 TYPICAL WINDOW/DOOR HEAD (FLUSH)

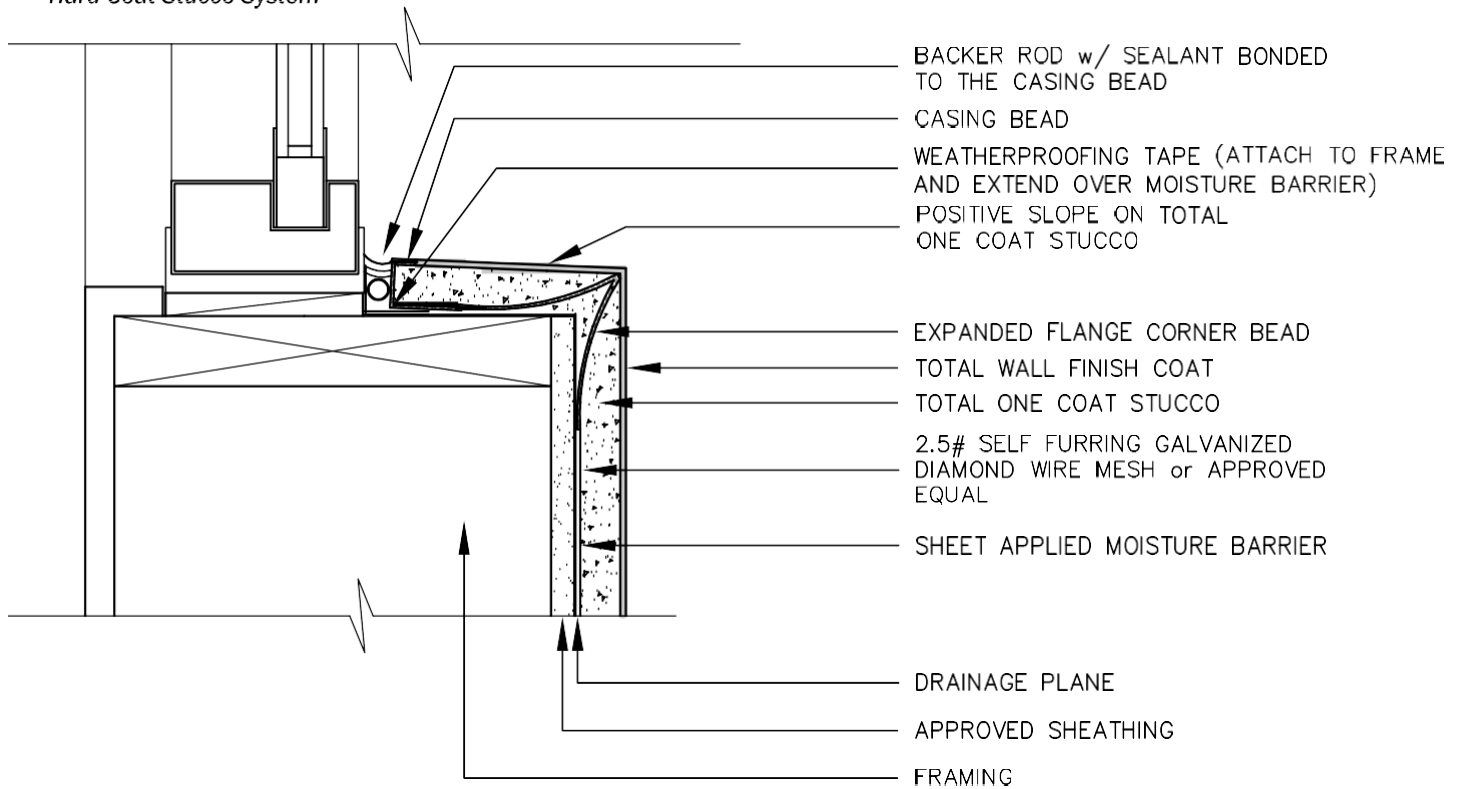


TOHS-04.1 TYPICAL WINDOW SILL (FLUSH)

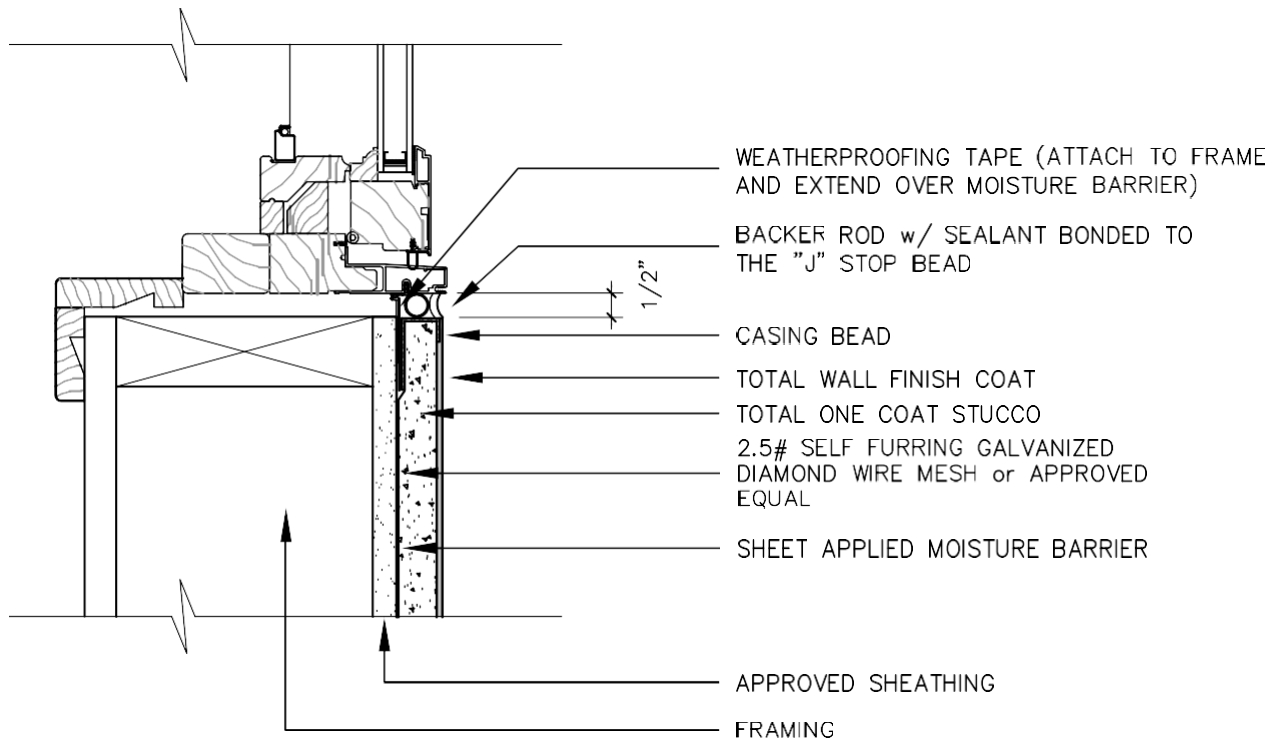
TOTAL WALL

America's EIFS And Stucco Company!

TOTAL ONE HS Hard Coat Stucco System



TOHS-04.2 TYPICAL WINDOW SILL (RECESSED)

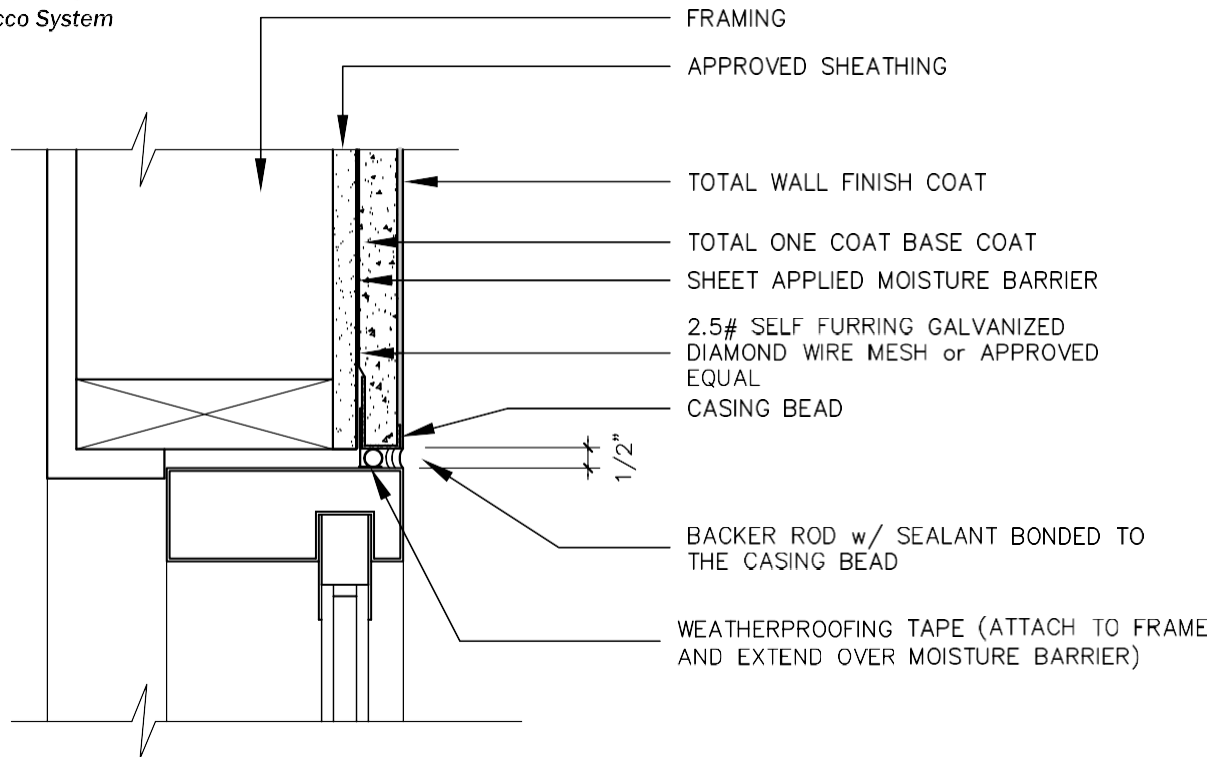


TOHS-04.3 TYPICAL WINDOW SILL (FLUSH)

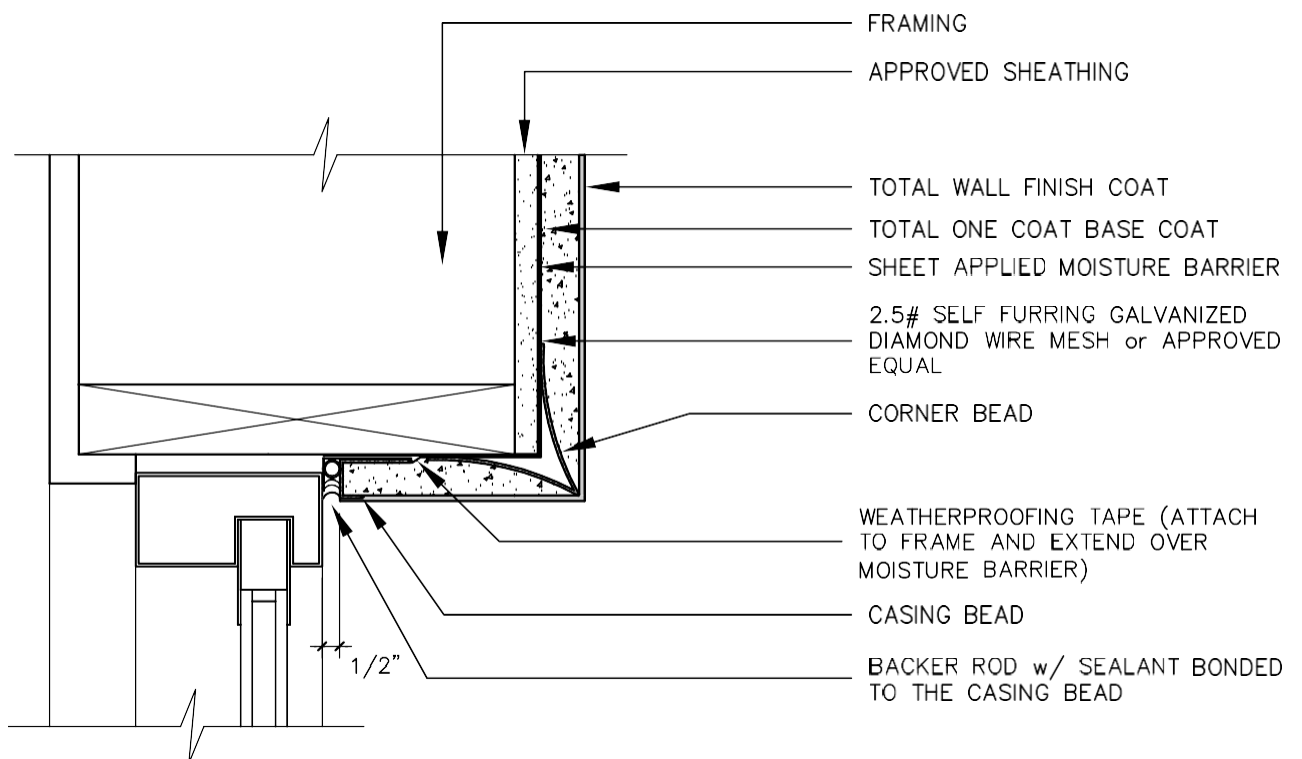
TOTAL WALL

America's EIFS And Stucco Company!

TOTAL ONE HS Hard Coat Stucco System



TOHS-05.1 TYPICAL WINDOW/DOOR JAMB (FLUSH) - TOP VIEW

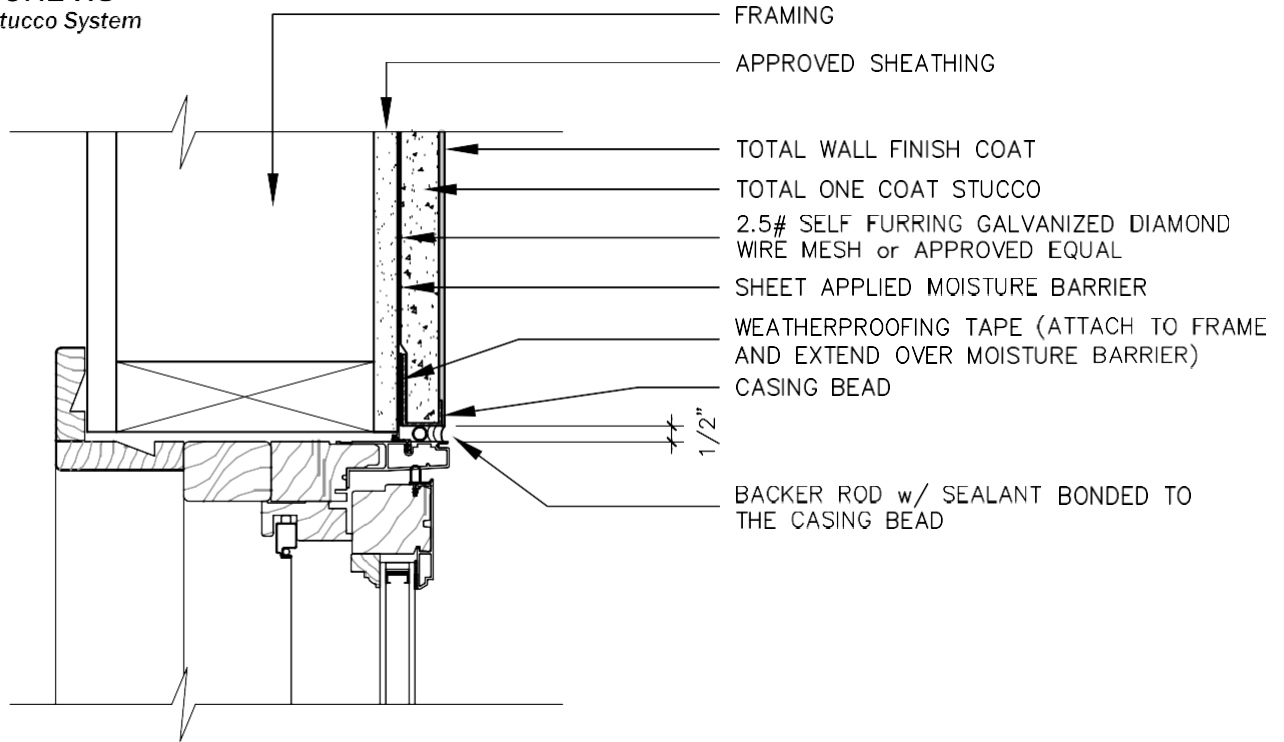


TOHS-05.2 TYPICAL WINDOW/DOOR JAMB (RECESSED) - TOP VIEW

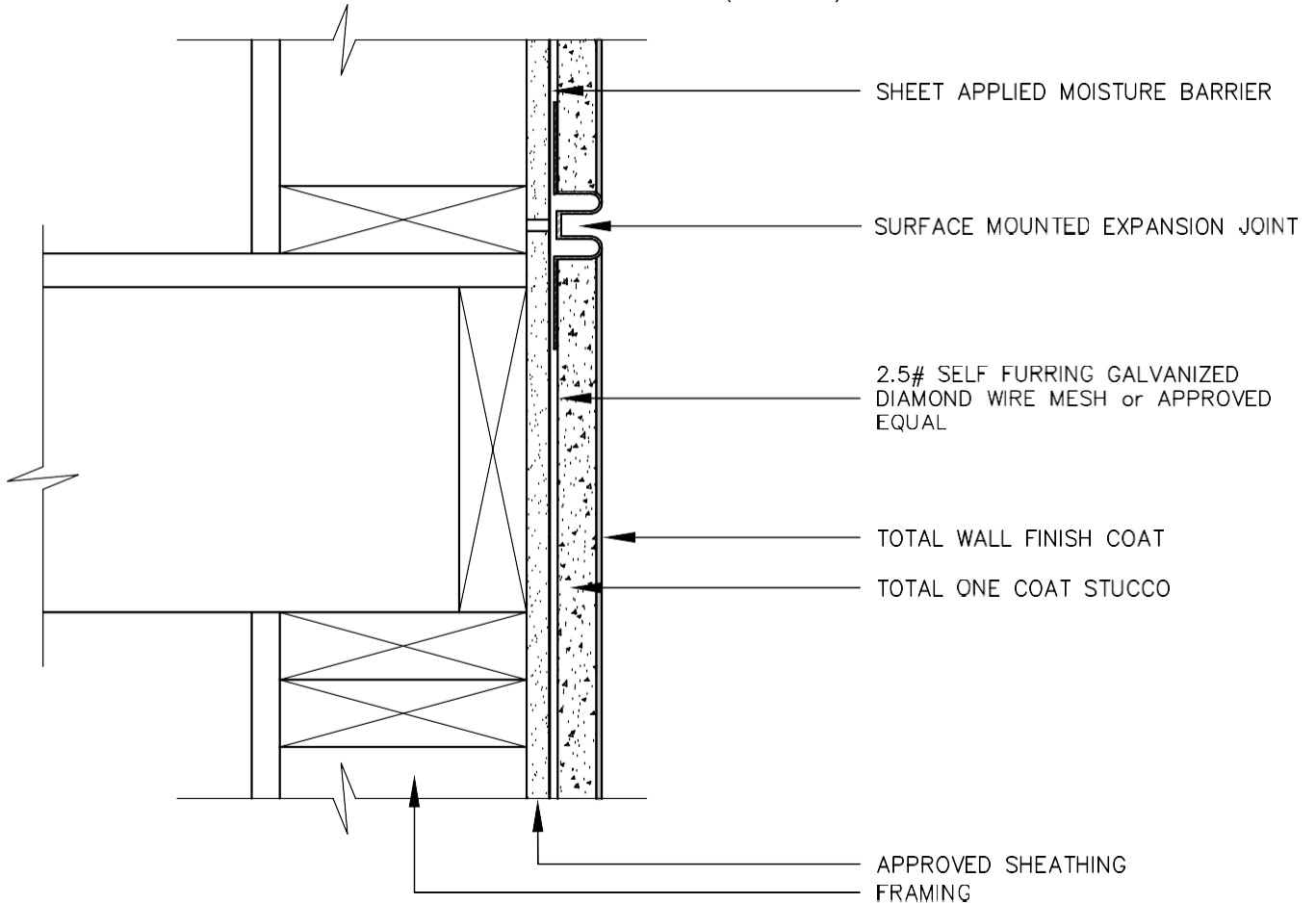
TOTAL WALL

America's EIFS And Stucco Company!

TOTAL ONE HS Hard Coat Stucco System



TOHS-05.3 TYPICAL WINDOW/DOOR JAMB (FLUSH) - TOP VIEW

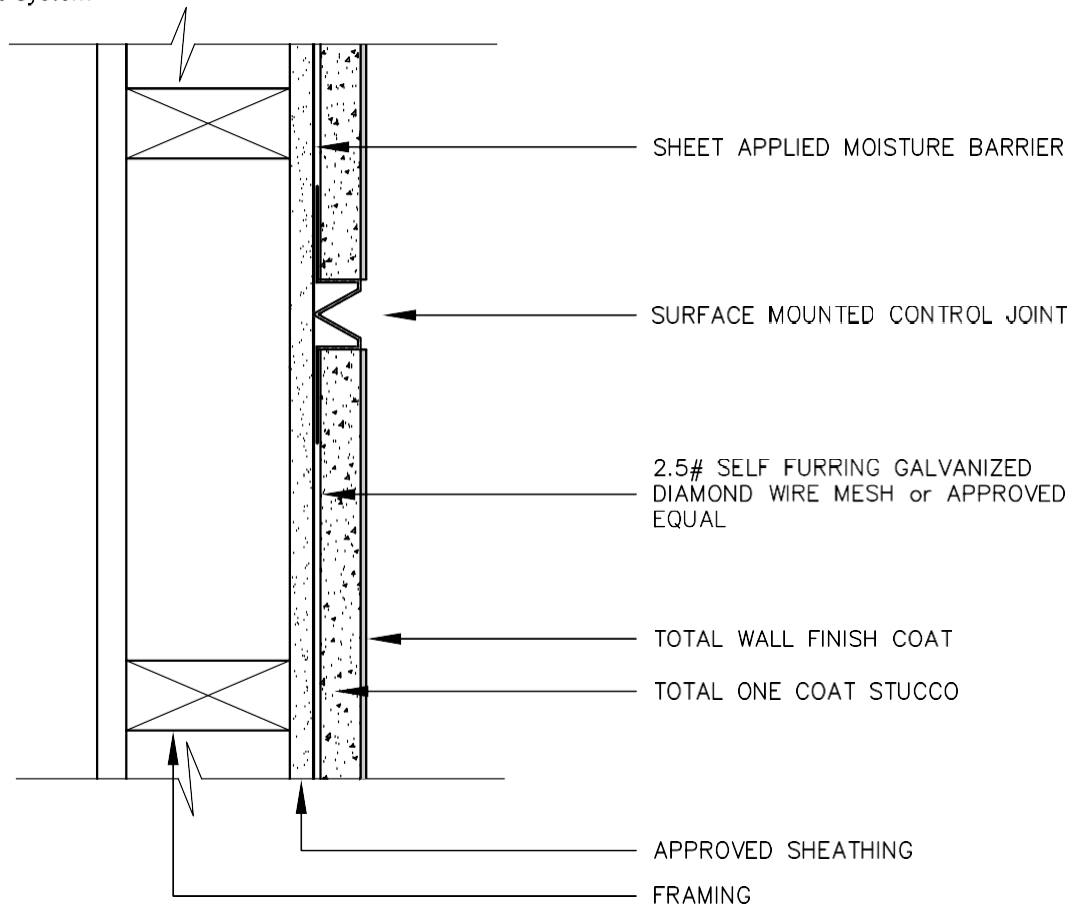


TOHS-06.1 TYPICAL EXPANSION JOINT

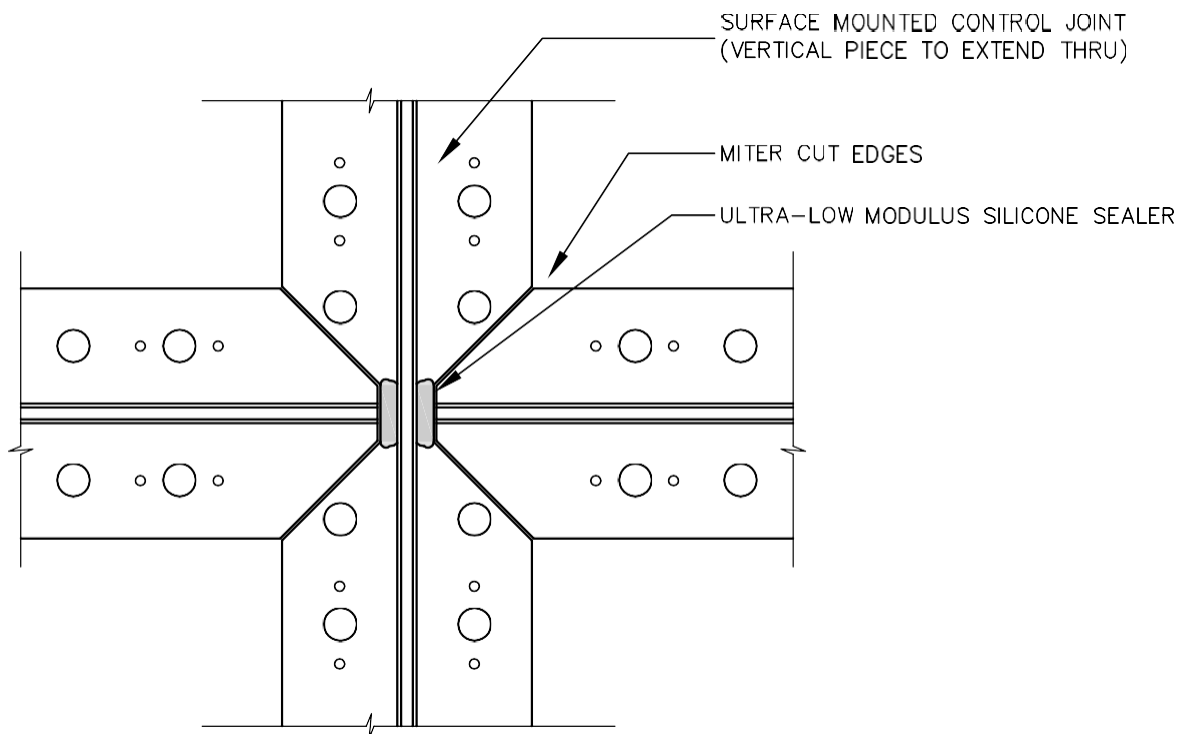
TOTAL WALL

America's EIFS And Stucco Company!

TOTAL ONE HS Hard Coat Stucco System



TOHS-06.2 TYPICAL CONTROL JOINT

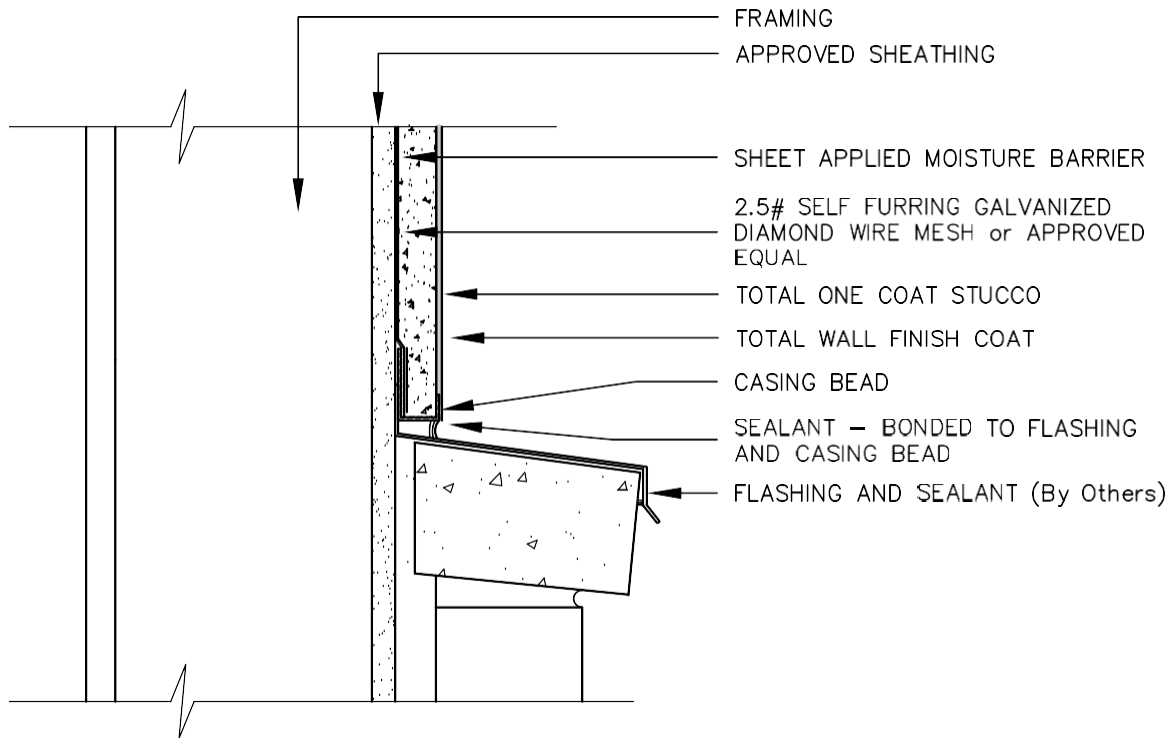


TOHS-06.3 TYPICAL CONTROL JOINT - ELEVATION VIEW

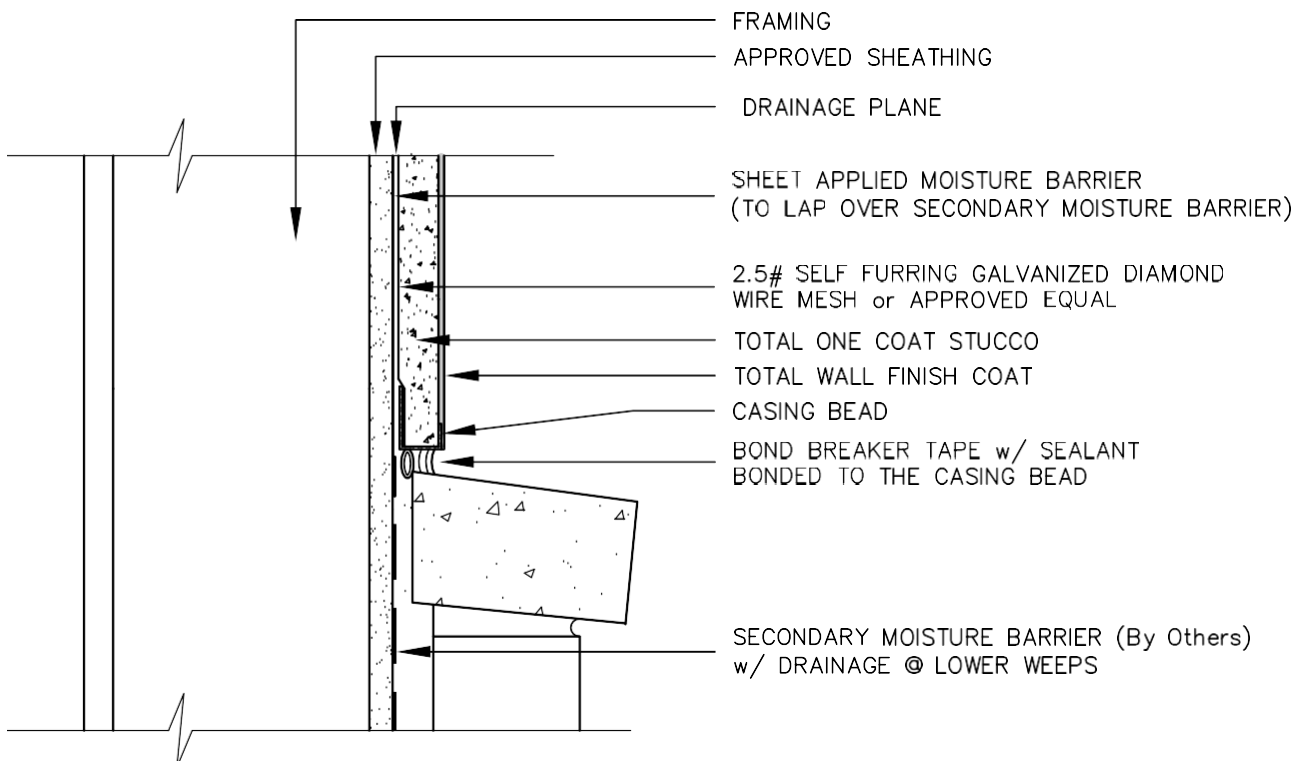
TOTAL WALL

America's EIFS And Stucco Company!

TOTAL ONE HS Hard Coat Stucco System



TOHS-08.1 TYPICAL STUCCO @ MASONRY SILL

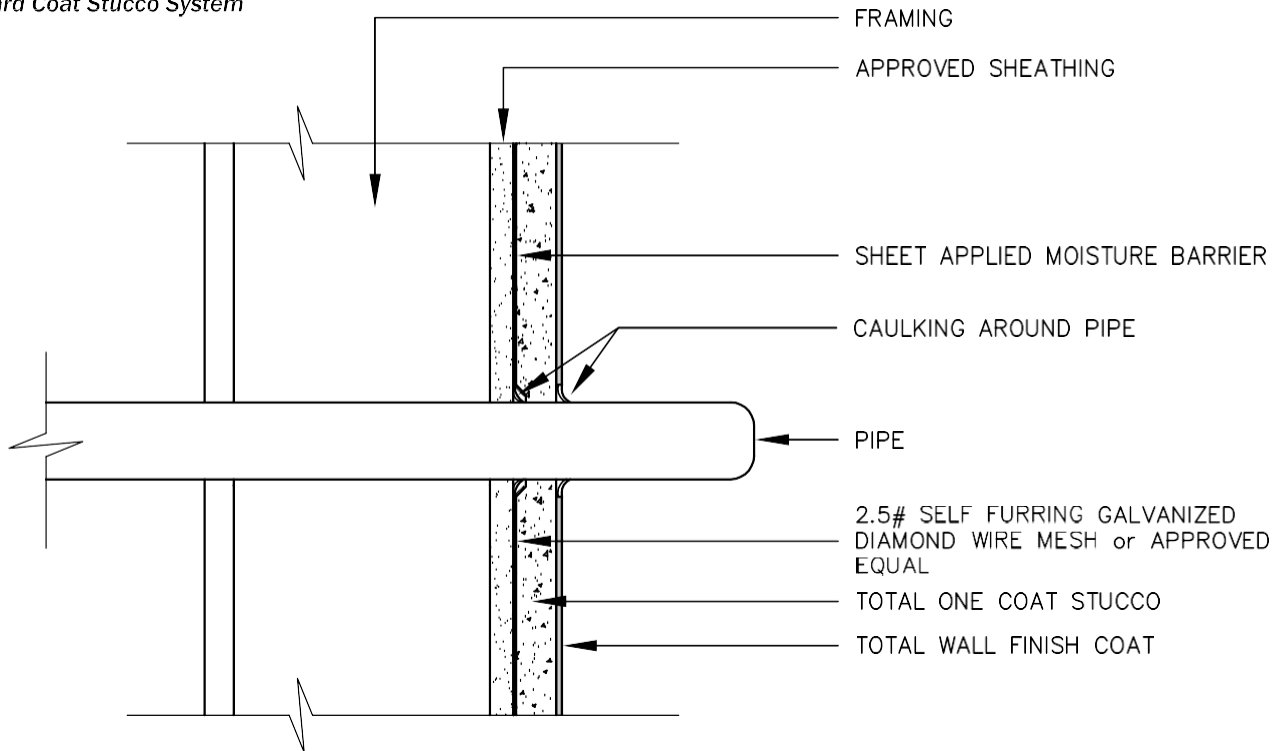


TOHS-08.2 TYPICAL STUCCO @ MASONRY SILL

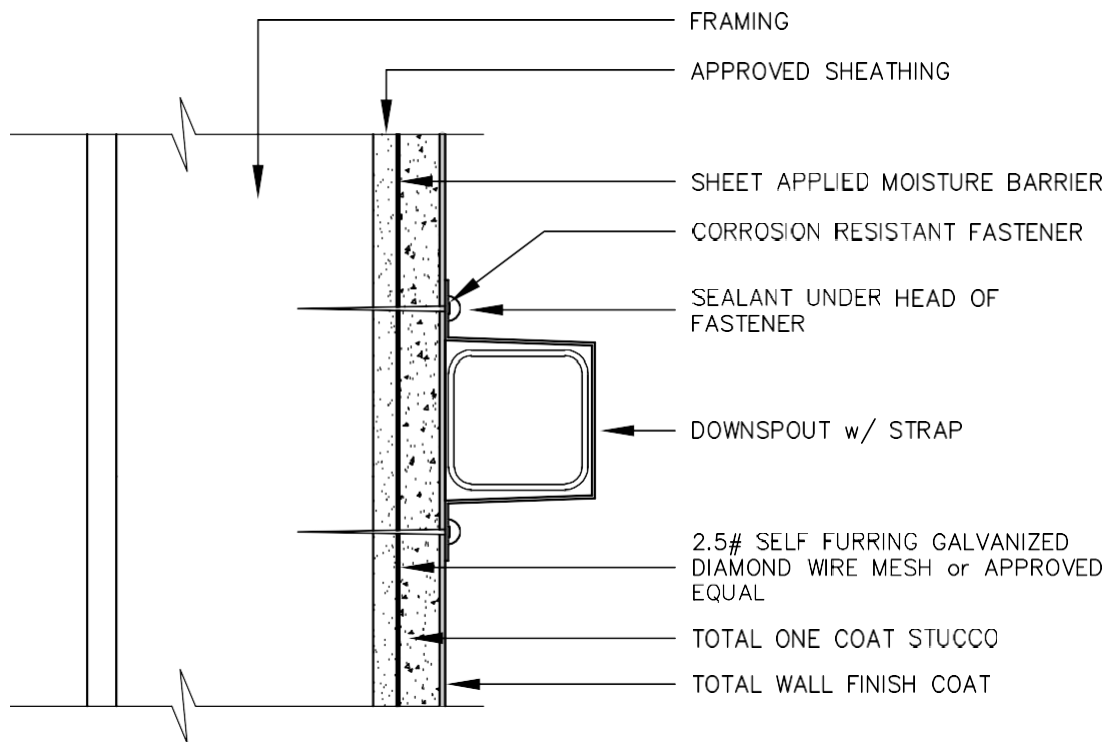
TOTAL WALL

America's EIFS And Stucco Company!

TOTAL ONE HS Hard Coat Stucco System



TOHS-09 TYPICAL PIPE PENETRATION

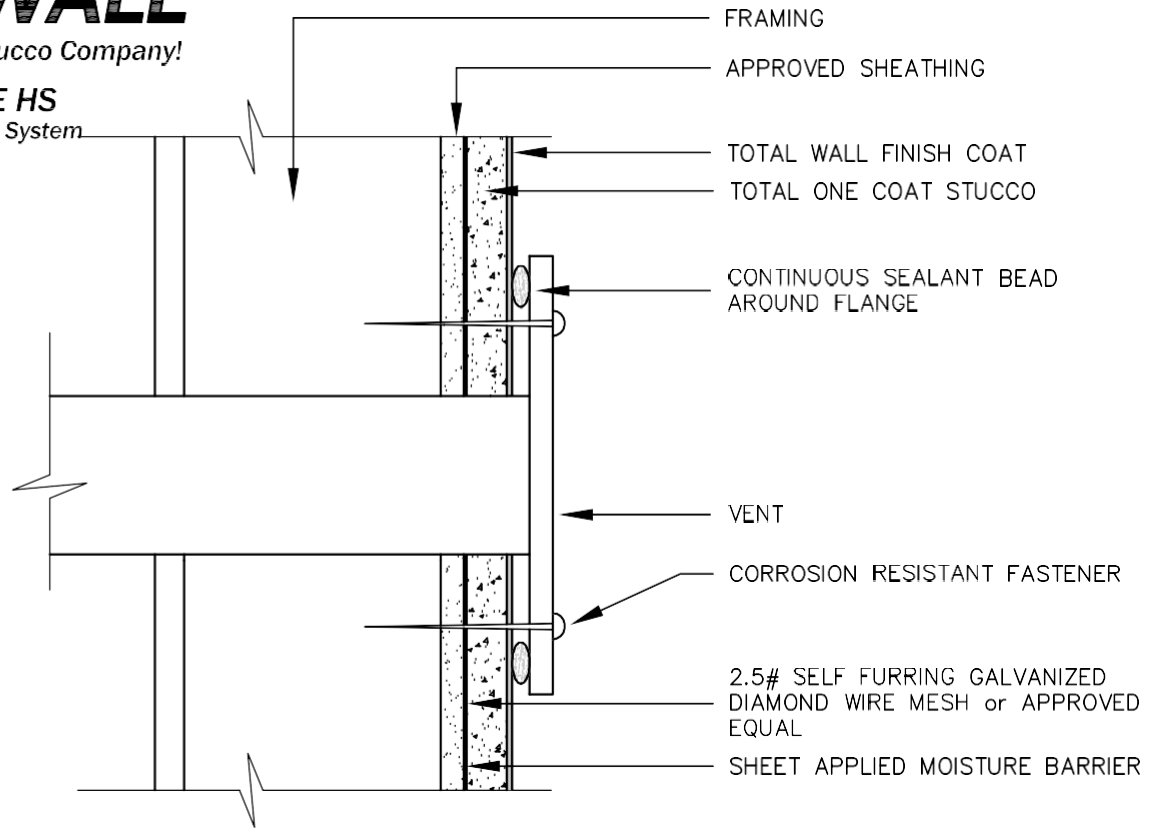


TOHS-10 TYPICAL DOWNSPOUT ATTACHMENT

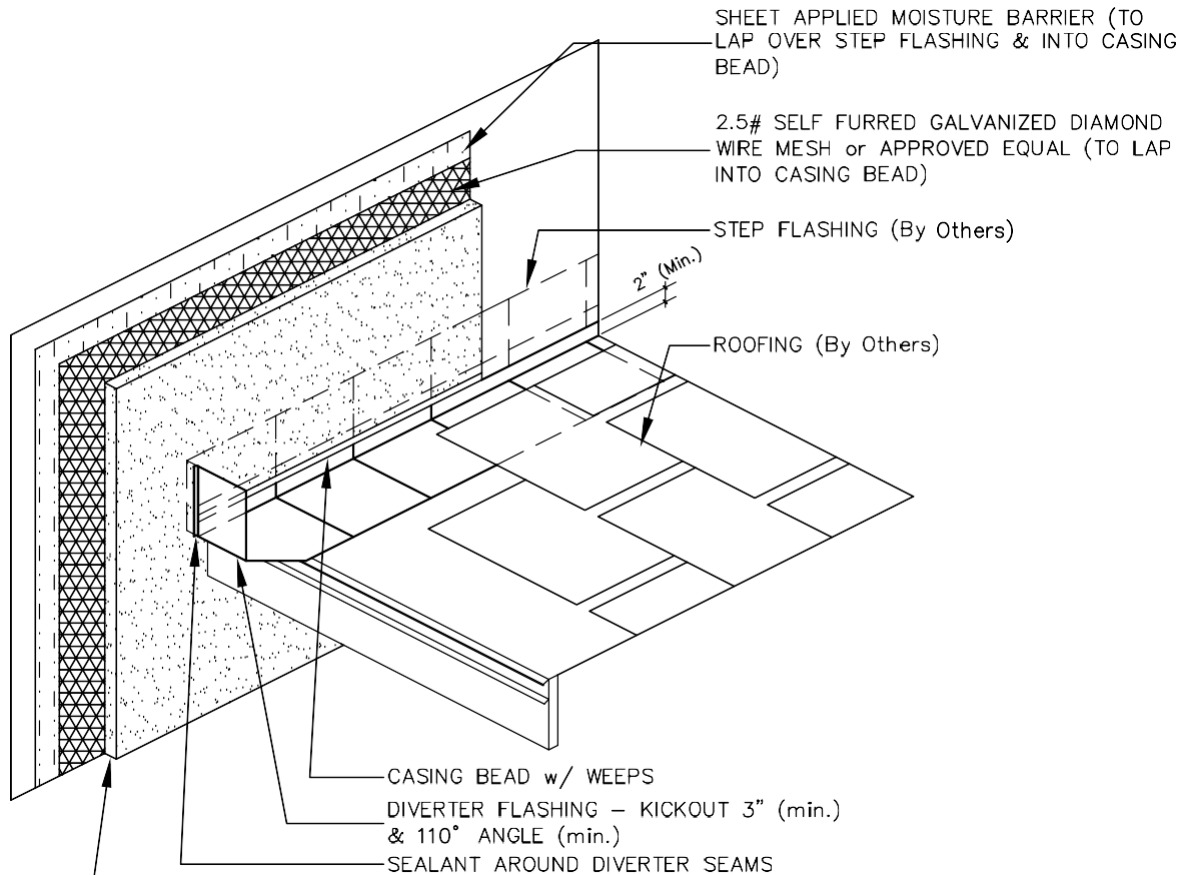
TOTAL WALL

America's EIFS And Stucco Company!

TOTAL ONE HS
Hard Coat Stucco System



TOHS-11 TYPICAL VENT ATTACHMENT



TOHS-12 TYPICAL KICK-OUT FLASHING

TOTAL WALL

America's EIFS And Stucco Company!

TOTAL ONE HS Hard Coat Stucco System

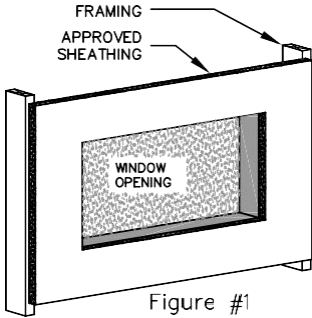


Figure #1

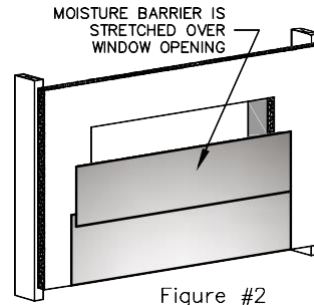


Figure #2

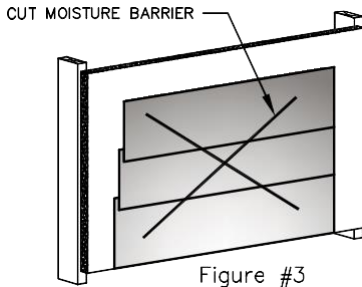


Figure #3

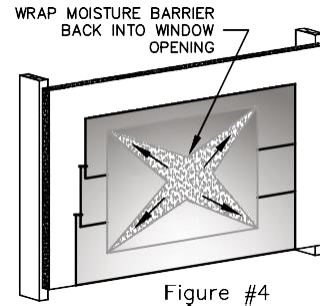


Figure #4

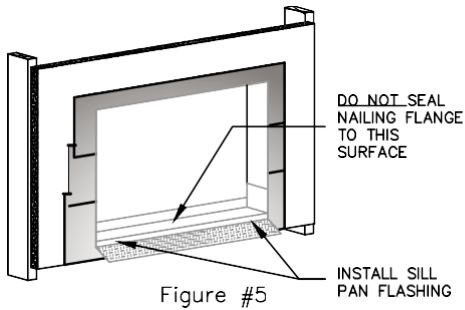


Figure #5

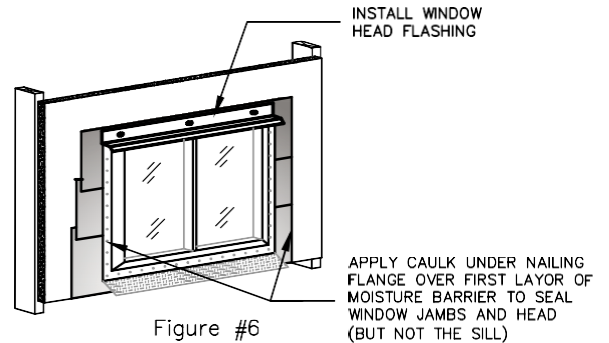


Figure #6

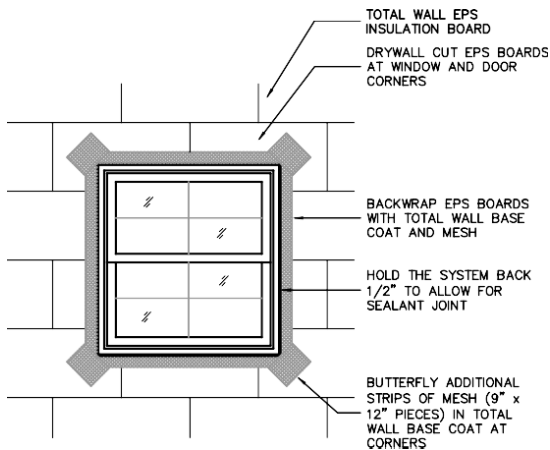
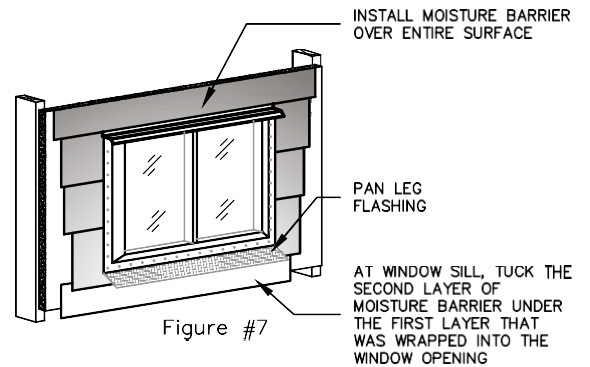


Figure #7



TOHS-13 TYPICAL WINDOW OPENING PREPARATION