

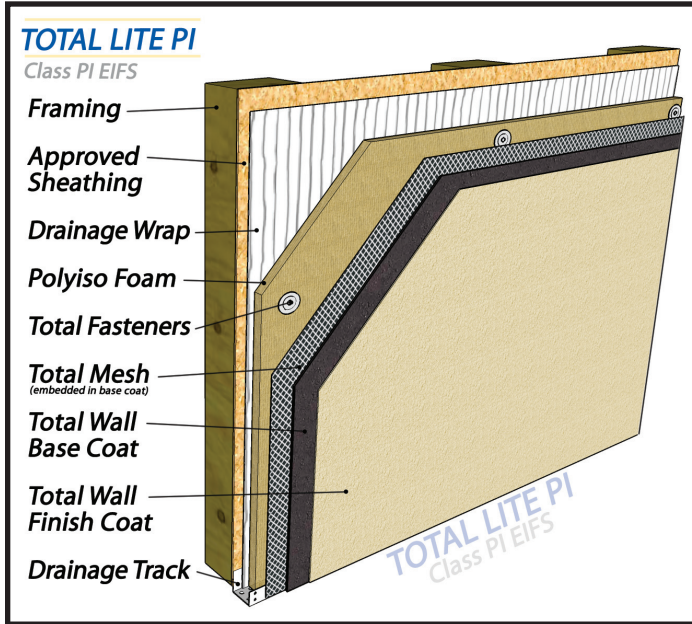
## TOTAL LITE PI

Section 07240  
Masterformat 2004 07-24-19

Class PI Polyiso Foam EIFS

AMERICA'S EIFS AND STUCCO COMPANY!

### Detail Directory



Total Lite PI is our Class PI EIFS, which uses poly isocyanurate (Quik-R) rigid foam insulation board for exceptional R-value and strength. Total Lite PI is installed over a sub-sheathing or masonry substrate and incorporates a designed drainage plane.

By using a thin coat lamina, Total Lite PI avoids the need for control joints and can be installed over any frame and sheathing substrate or masonry substrate. Available in unlimited colors and a variety of textures. Total Lite PI is a unique and versatile coating system that can be used on both commercial and residential structures.

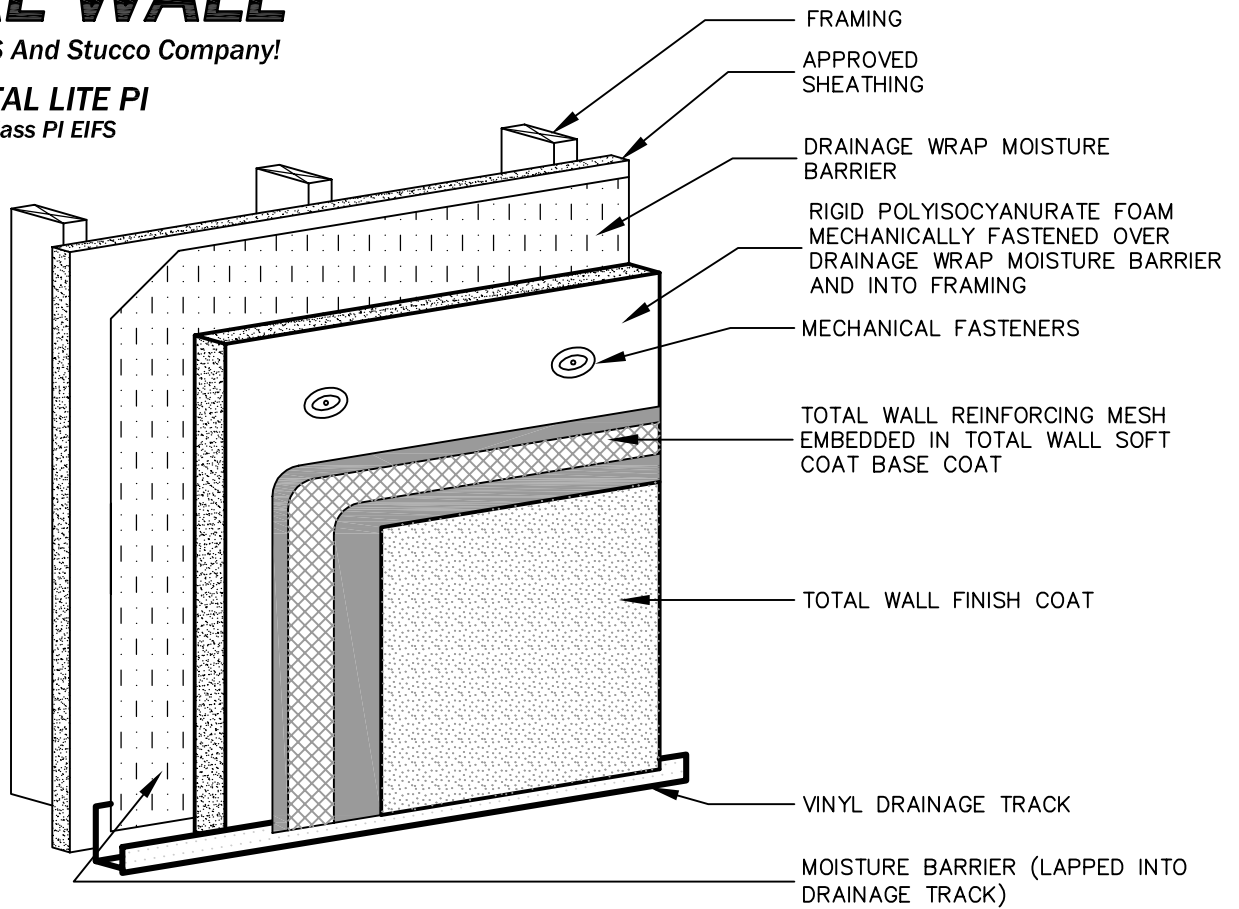
- **Energy Efficiency:** Typical R6 per inch
- **Substrates:** Total SL Gold PM can be used on any exterior frame and sheathing or masonry wall substrate.
- **Design Elements:** Does not require control joints, includes moisture barrier and designed drainage plane.
- **Sustainability:** Low VOC, low toxicity, employs recycle content.

Typical Total Lite PI System - Isometric	TLPI-01	Pg 1
Typical Total Lite PI System - Top View	TLPI-02	Pg 1
Typical Window/Door Head (Flush)	TLPI-03.1	Pg 2
Typical Window/Door Head (Recessed)	TLPI-03.2	Pg 2
Typical Window/Door Head (Flush)	TLPI-03.3	Pg 3
Typical Window Sill (Flush)	TLPI-04.1	Pg 3
Typical Window Sill (Recessed)	TLPI-04.2	Pg 4
Typical Window Sill (Flush)	TLPI-04.3	Pg 4
Typical Window/Door Jamb (Flush)	TLPI-05.1	Pg 5
Typical Window/Door Jamb (Recessed)	TLPI-05.2	Pg 5
Typical Window/Door Jamb (Flush)	TLPI-05.3	Pg 6
Typical Expansion Joint	TLPI-06	Pg 6
Typical "V" Groove	TLPI-07	Pg 7
Typical EIFS @ Masonry Sill	TLPI-08.1	Pg 7
Typical EIFS @ Masonry Sill	TLPI-08.2	Pg 8
Typical Pipe Penetration	TLPI-09	Pg 8
Typical Downspout Attachment	TLPI-10	Pg 9
Typical Vent Attachment	TLPI-11	Pg 9
Typical Kickout Flashing	TLPI-12	Pg 10
Typical Window Opening Preparation	TLPI-13	Pg 11

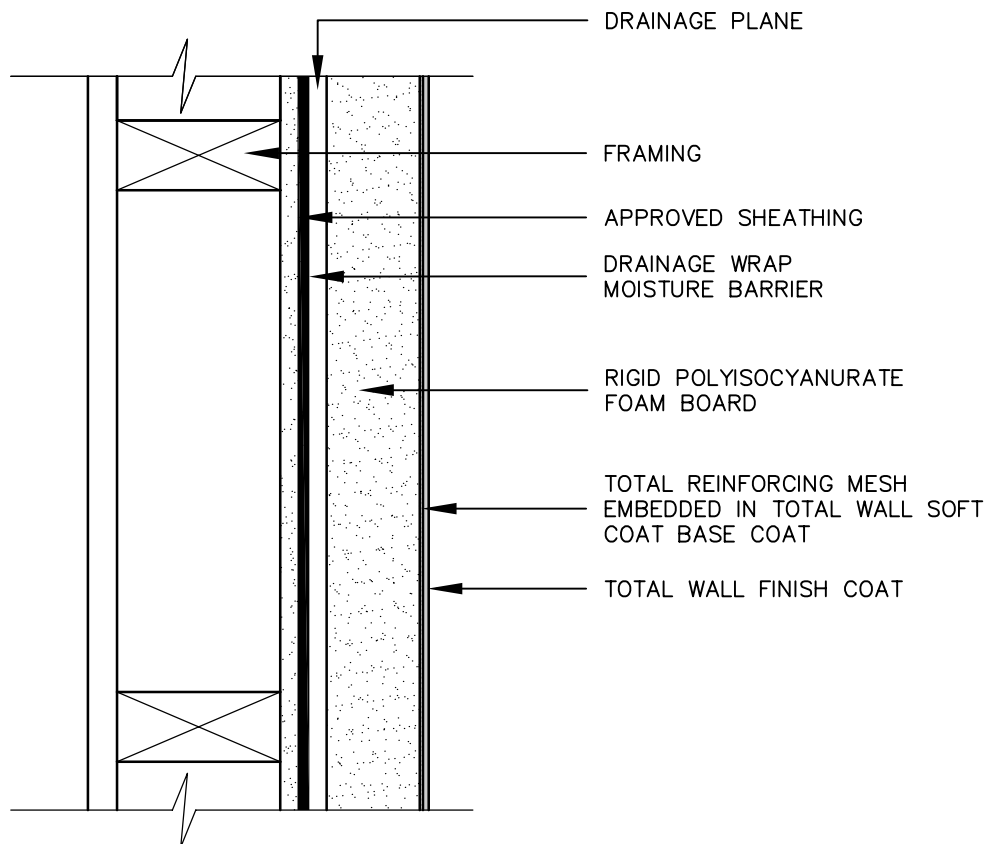
# TOTAL WALL

America's EIFS And Stucco Company!

## TOTAL LITE PI Class PI EIFS



TLPI-01 TYPICAL CLASS PI EIFS - ISOMETRIC

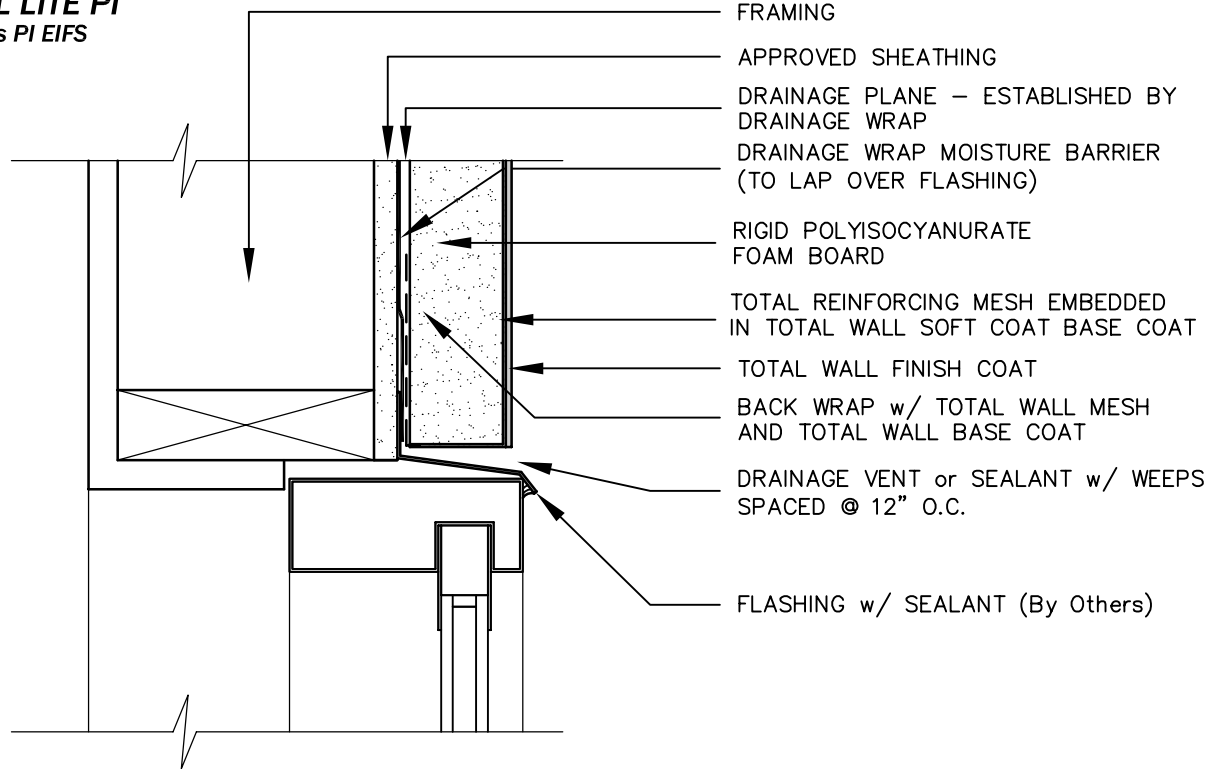


TLPI-02 TYPICAL CLASS PI EIFS - PLAN VIEW

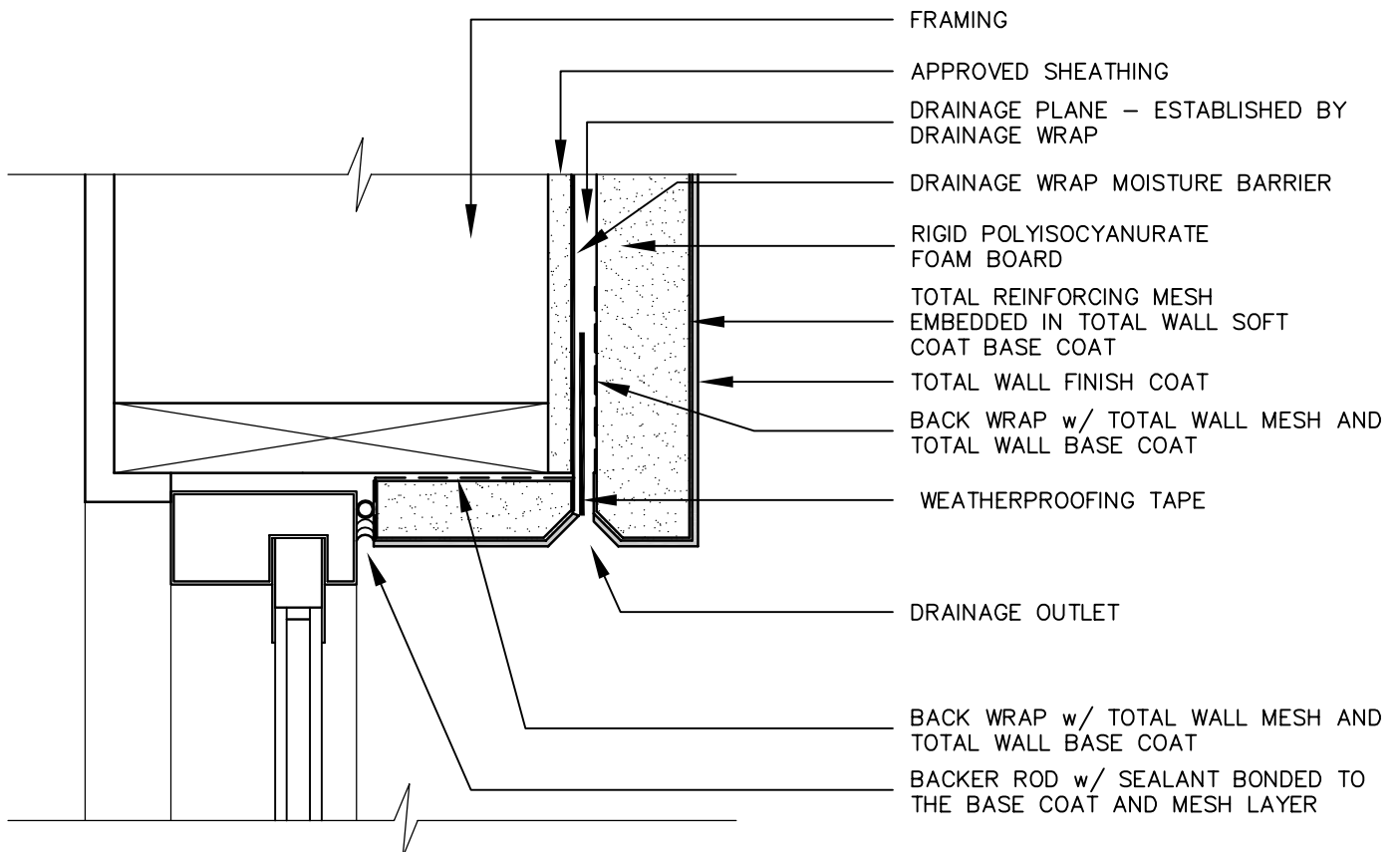
# TOTAL WALL

America's EIFS And Stucco Company!

## TOTAL LITE PI Class PI EIFS



TLPI-03.1 TYPICAL WINDOW/DOOR HEAD (FLUSH)

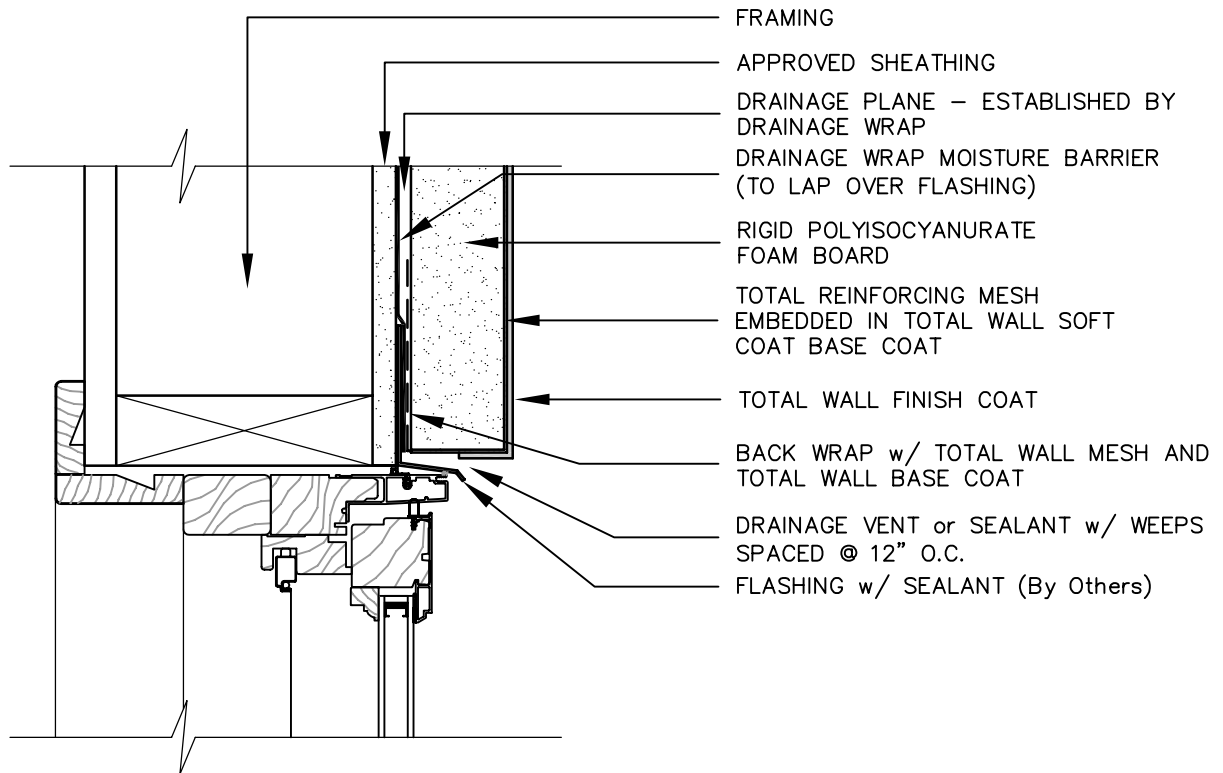


TLPI-03.2 TYPICAL WINDOW/DOOR HEAD (RECESSED)

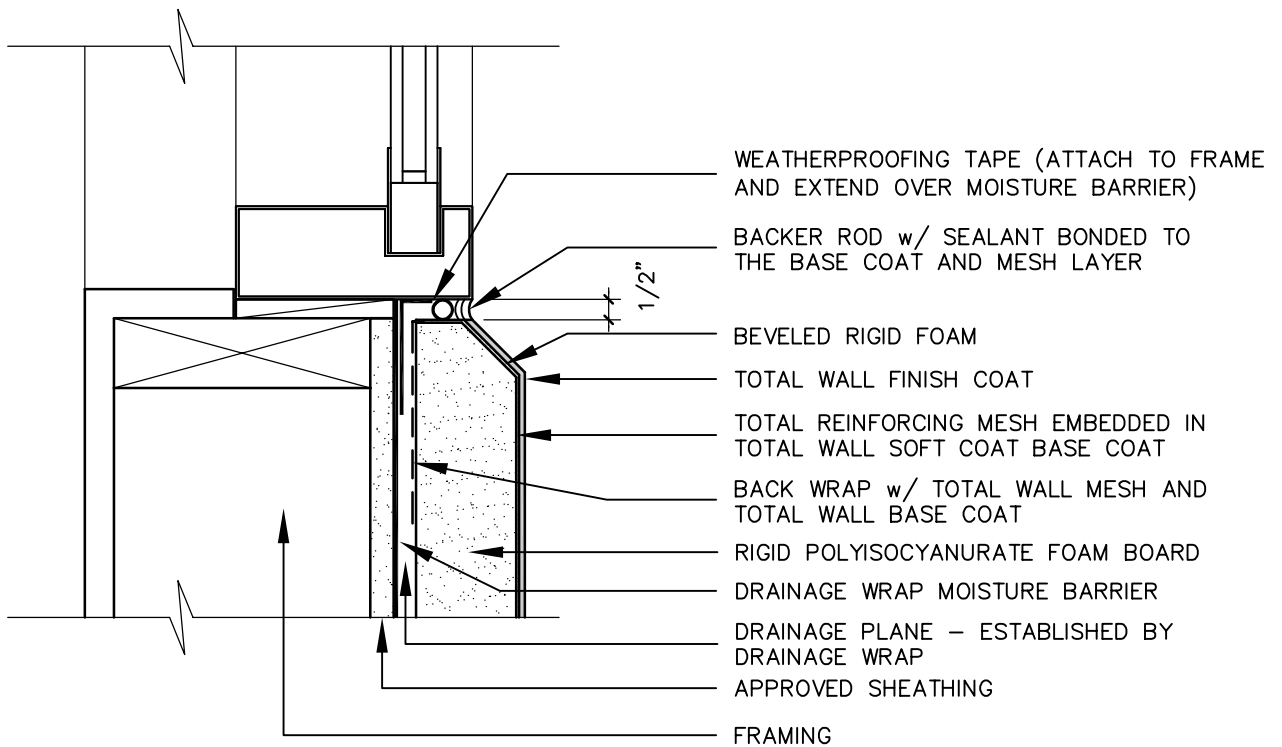
# TOTAL WALL

America's EIFS And Stucco Company!

## TOTAL LITE PI Class PI EIFS



TLPI-03.3 TYPICAL WINDOW/DOOR HEAD (FLUSH)

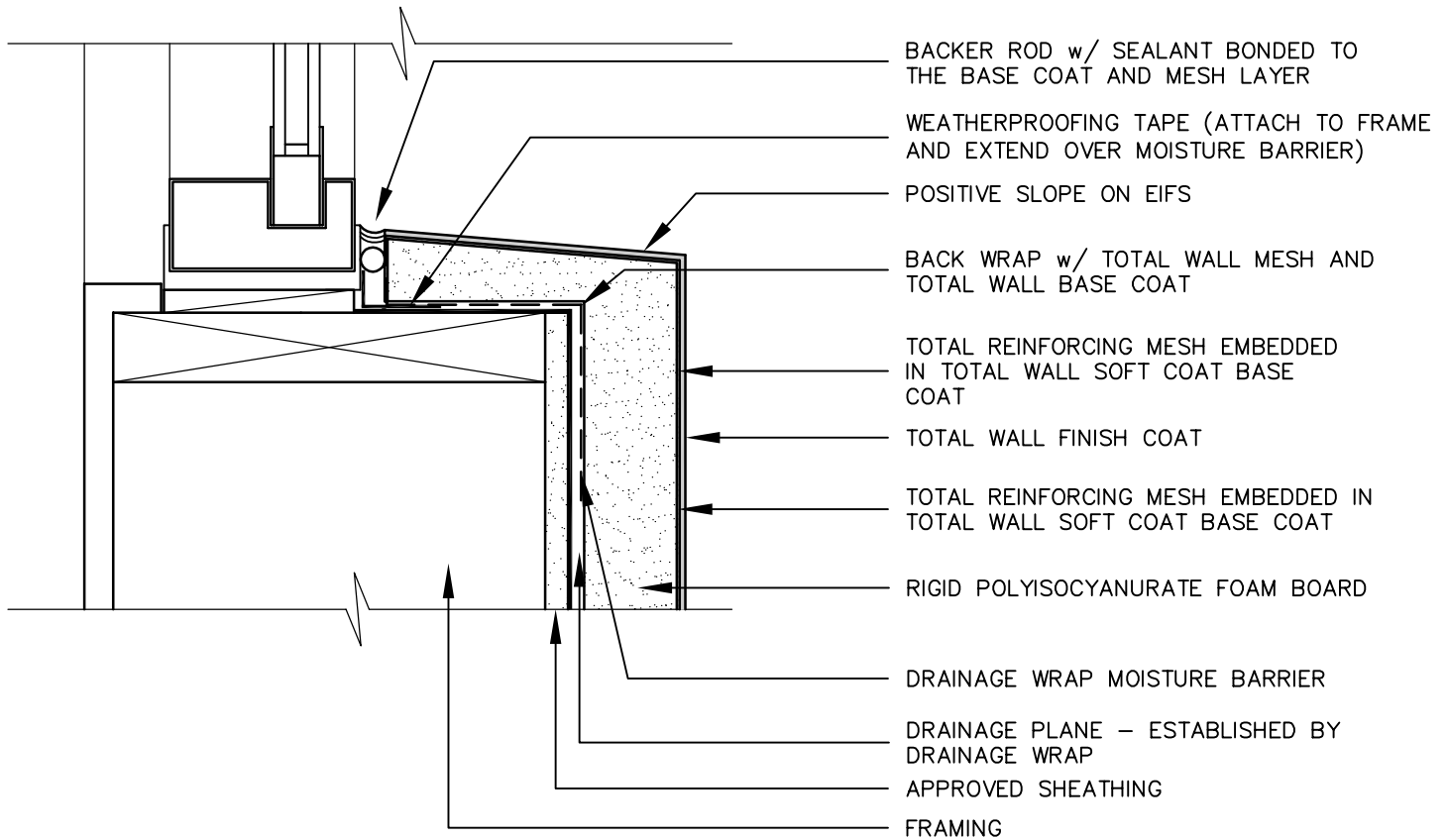


TLPI-04.1 TYPICAL WINDOW SILL (FLUSH)

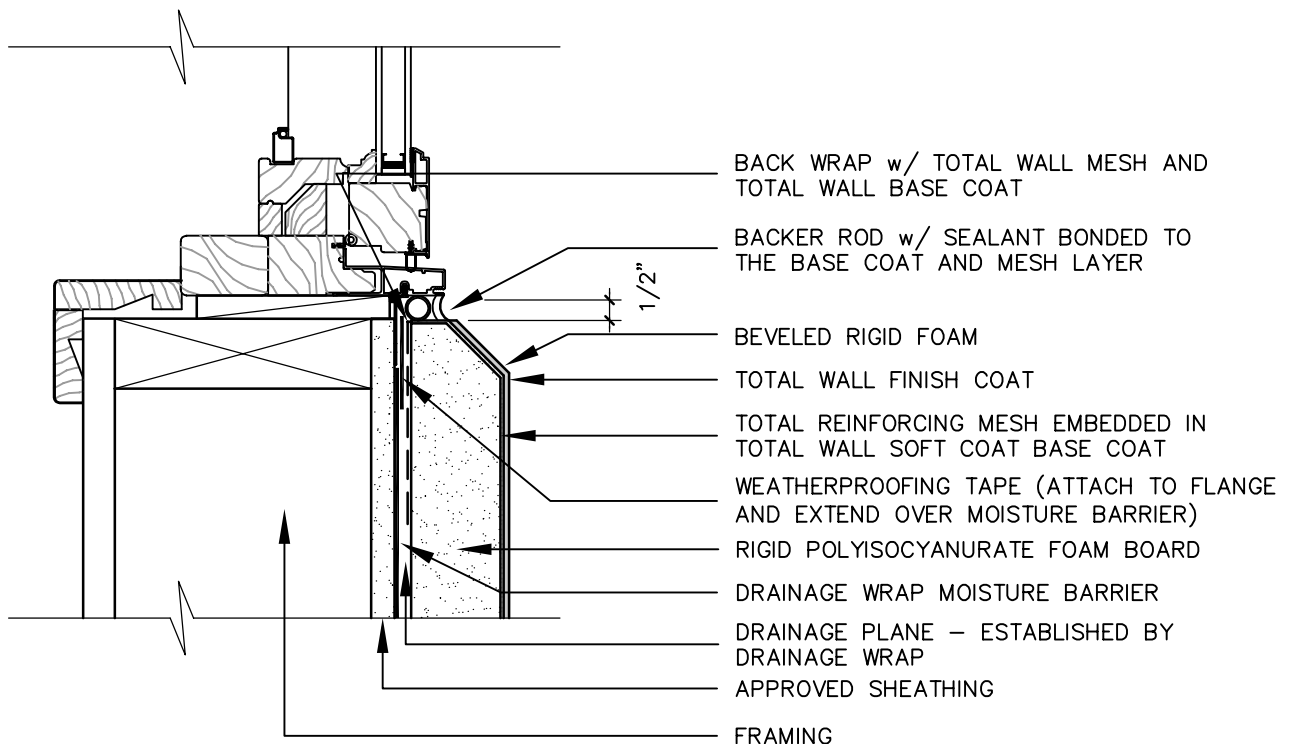
# TOTAL WALL

America's EIFS And Stucco Company!

## TOTAL LITE PI Class PI EIFS



TLPI-04.2 TYPICAL WINDOW SILL (RECESSED)

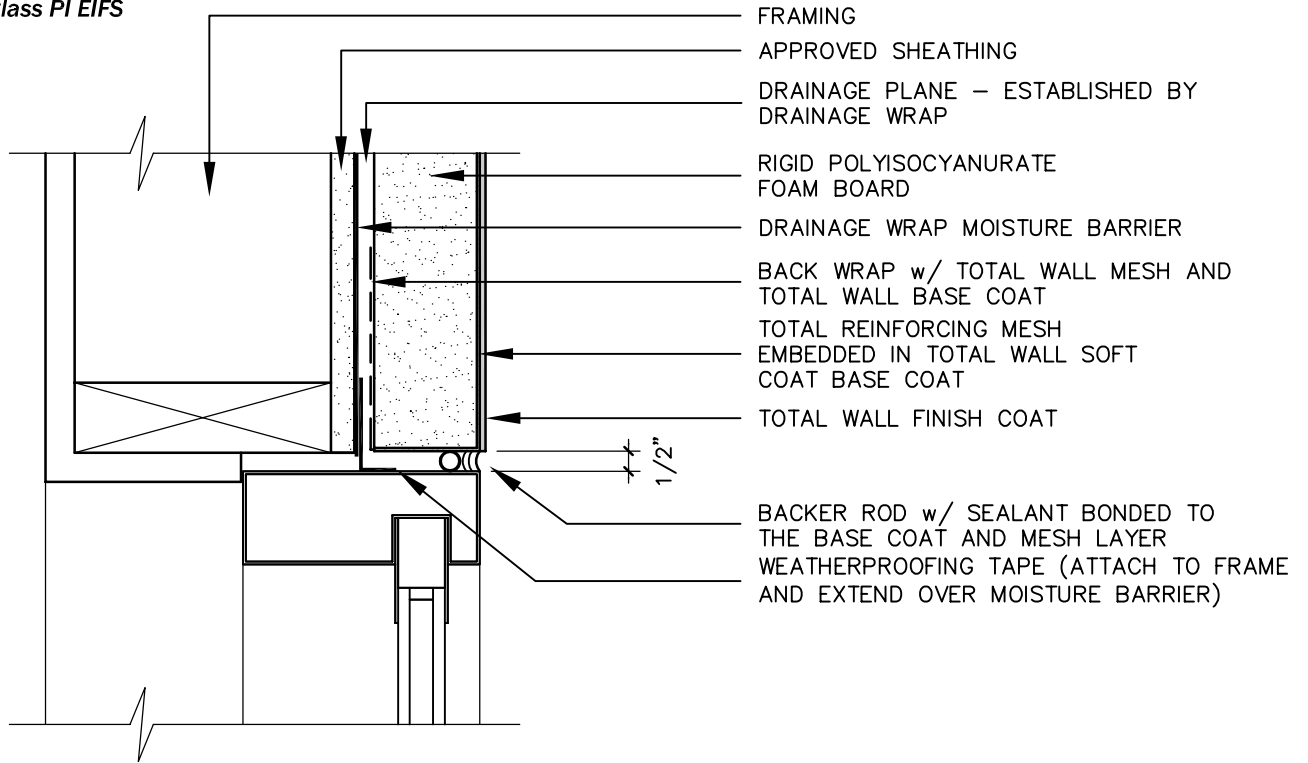


TLPI-04.3 TYPICAL WINDOW SILL (FLUSH)

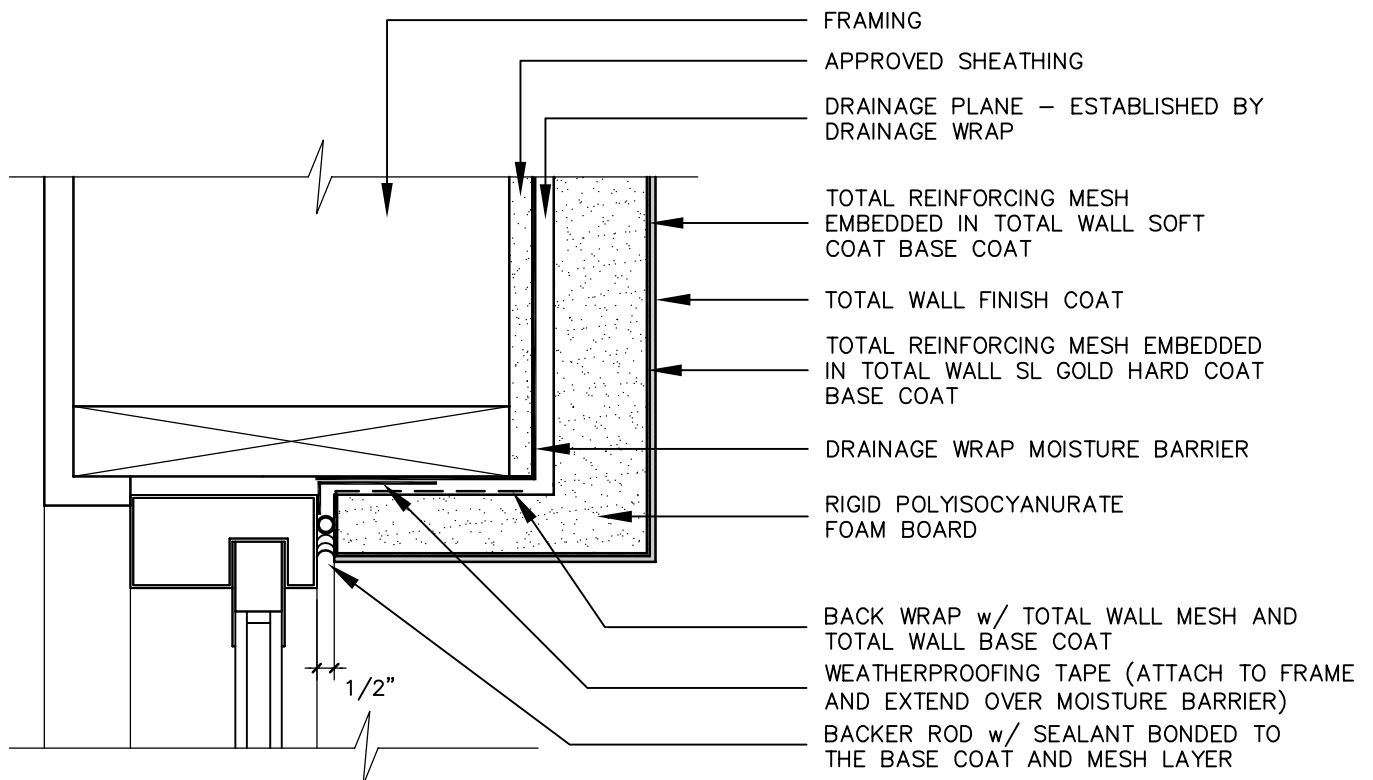
# TOTAL WALL

America's EIFS And Stucco Company!

## TOTAL LITE PI Class PI EIFS



TLPI-05.1 TYPICAL WINDOW/DOOR JAMB (FLUSH) - TOP VIEW

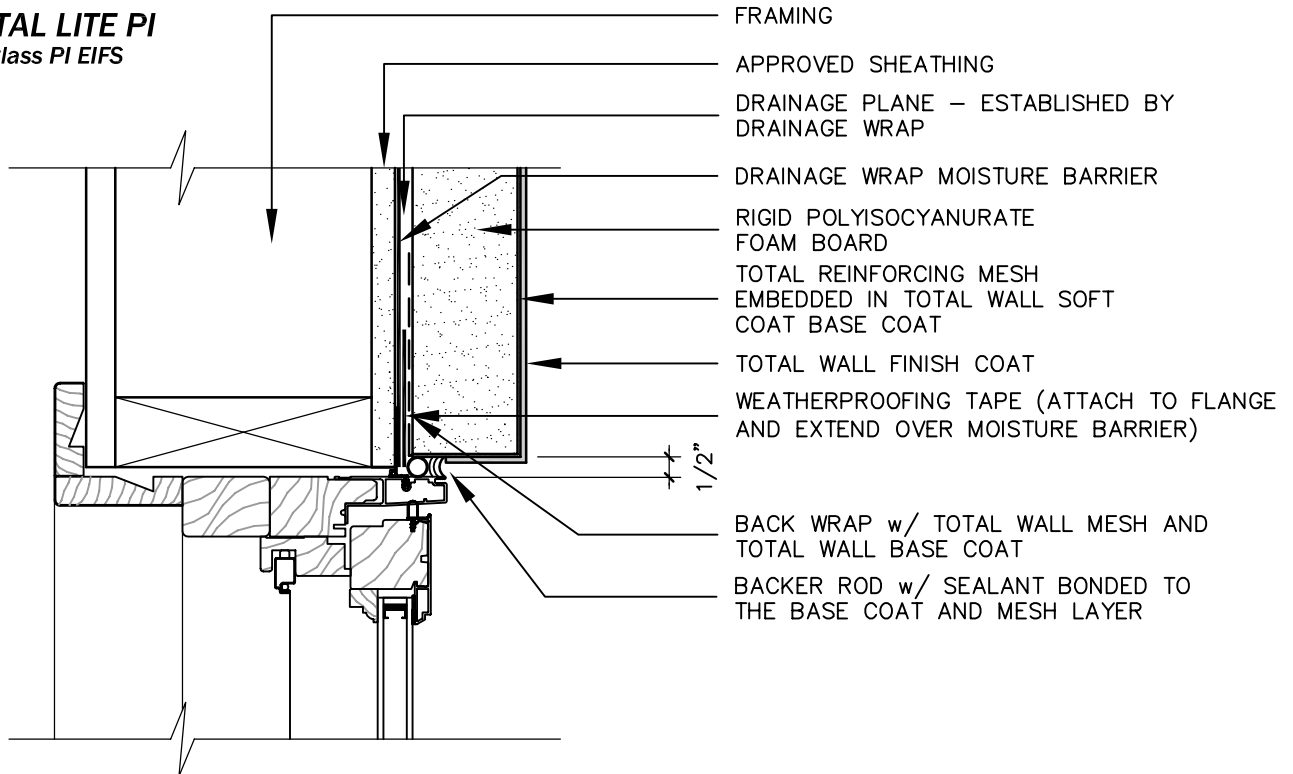


TLPI-05.2 TYPICAL WINDOW/DOOR JAMB (RECESSED) - TOP VIEW

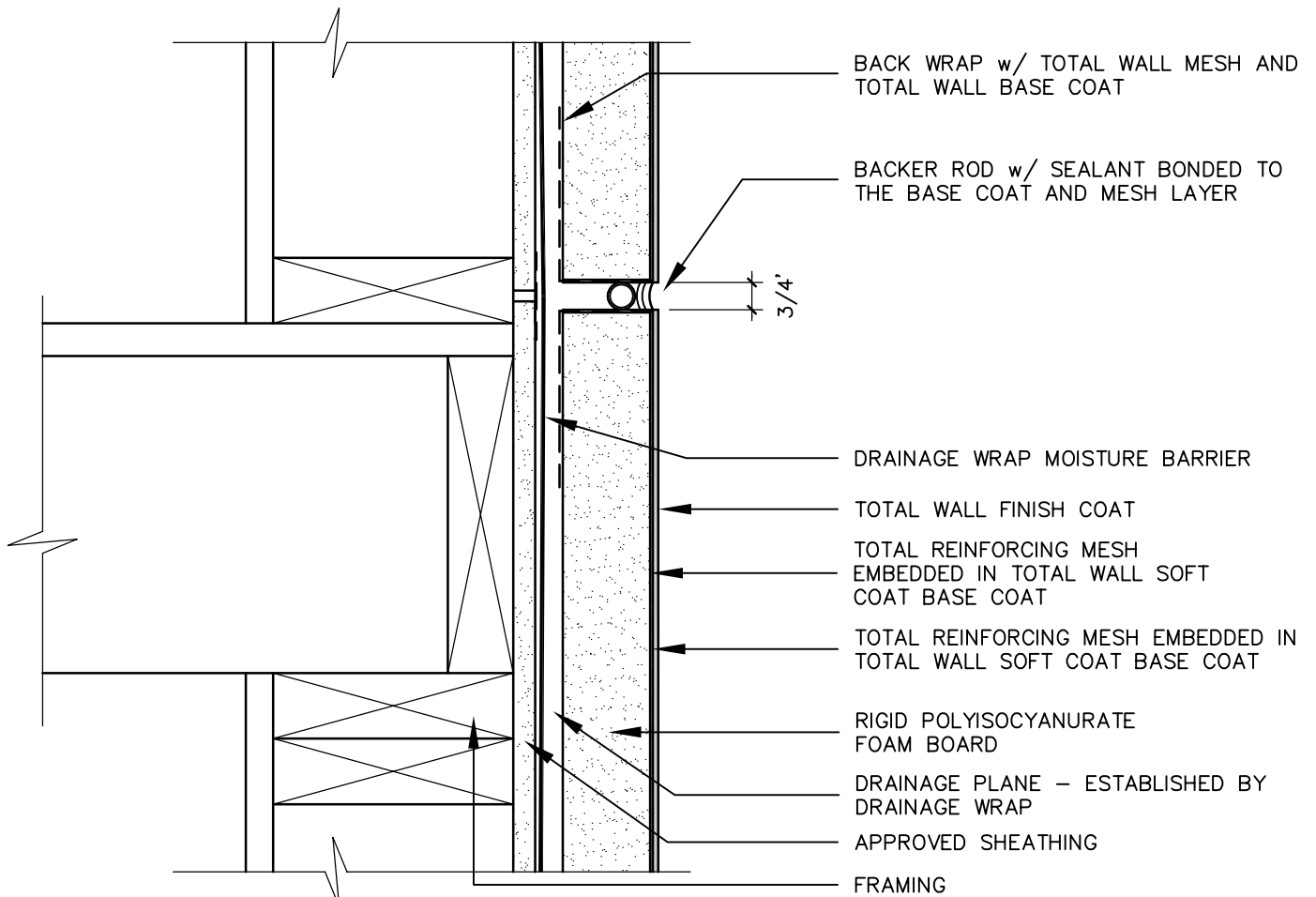
# TOTAL WALL

America's EIFS And Stucco Company!

## TOTAL LITE PI Class PI EIFS



TLPI-05.3 TYPICAL WINDOW/DOOR JAMB (FLUSH) - TOP VIEW

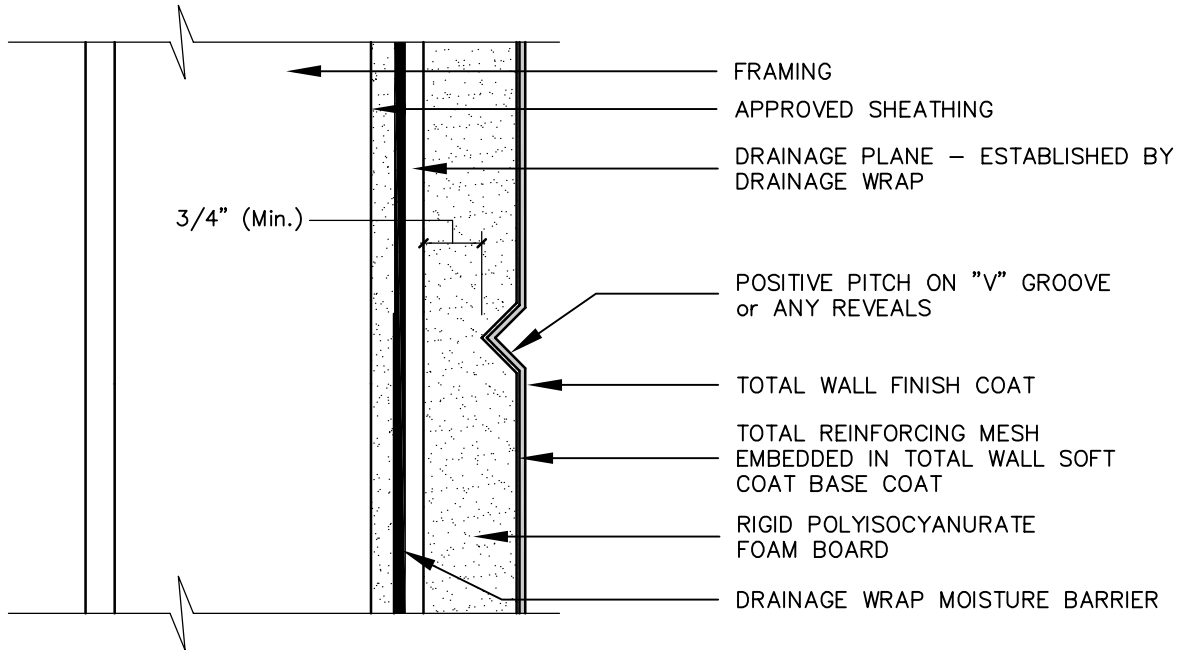


TLPI-06 TYPICAL EXPANSION JOINT

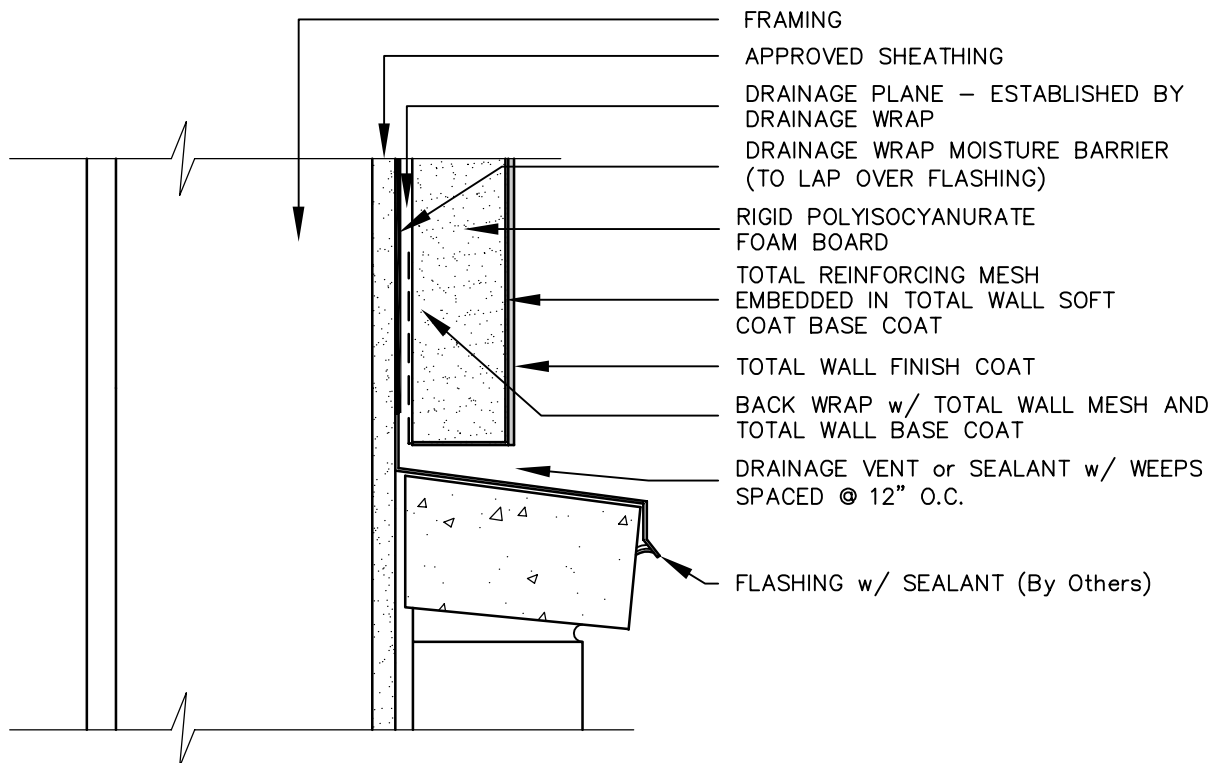
# TOTAL WALL

America's EIFS And Stucco Company!

## TOTAL LITE PI Class PI EIFS



TLPI-07 TYPICAL "V" GROOVE



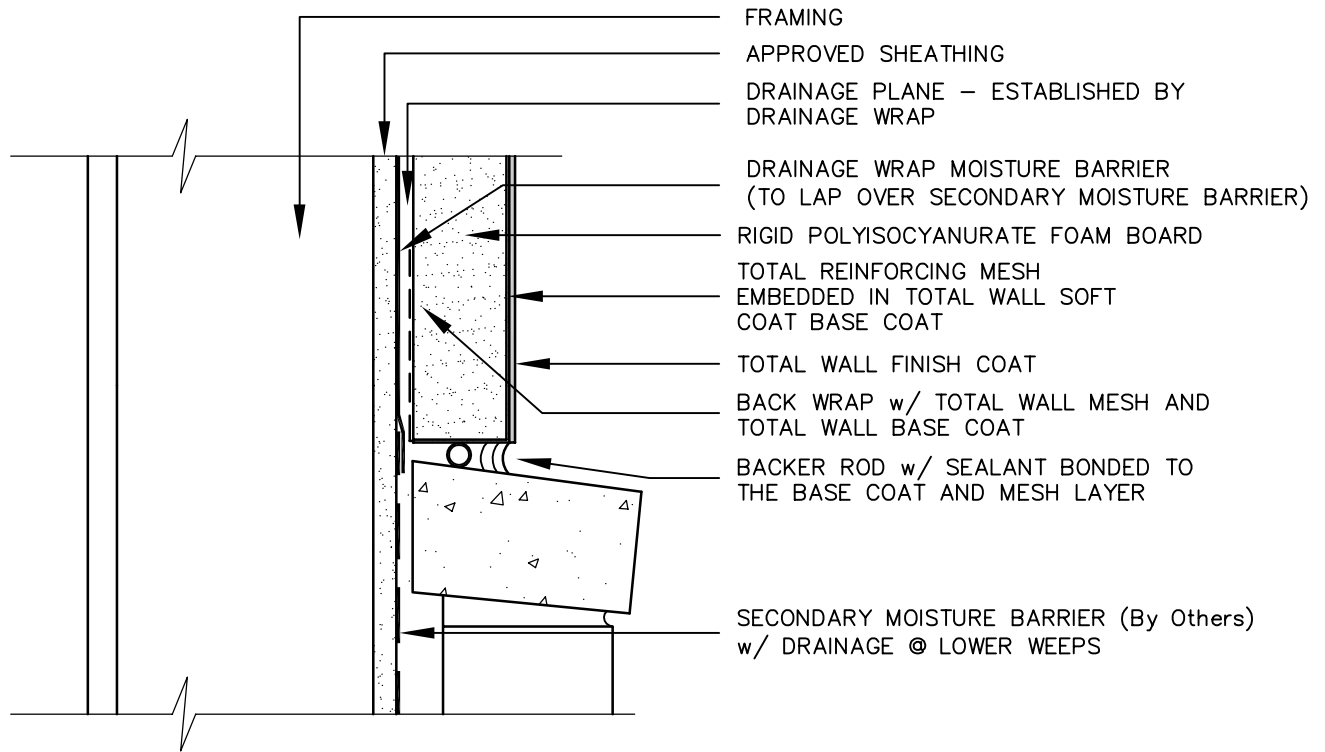
TLPI-08.1 TYPICAL EIFS @ MASONRY SILL



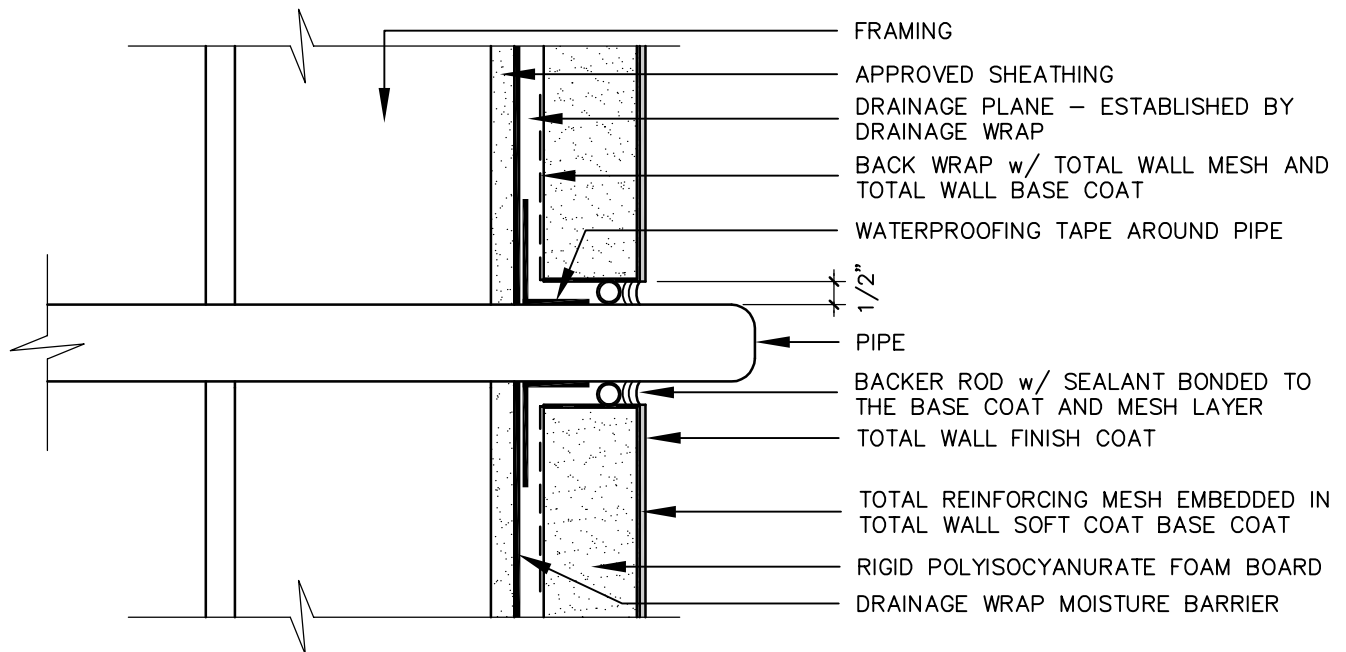
# TOTAL WALL

America's EIFS And Stucco Company!

## TOTAL LITE PI Class PI EIFS



TLPI-08.2 TYPICAL EIFS @ MASONRY SILL

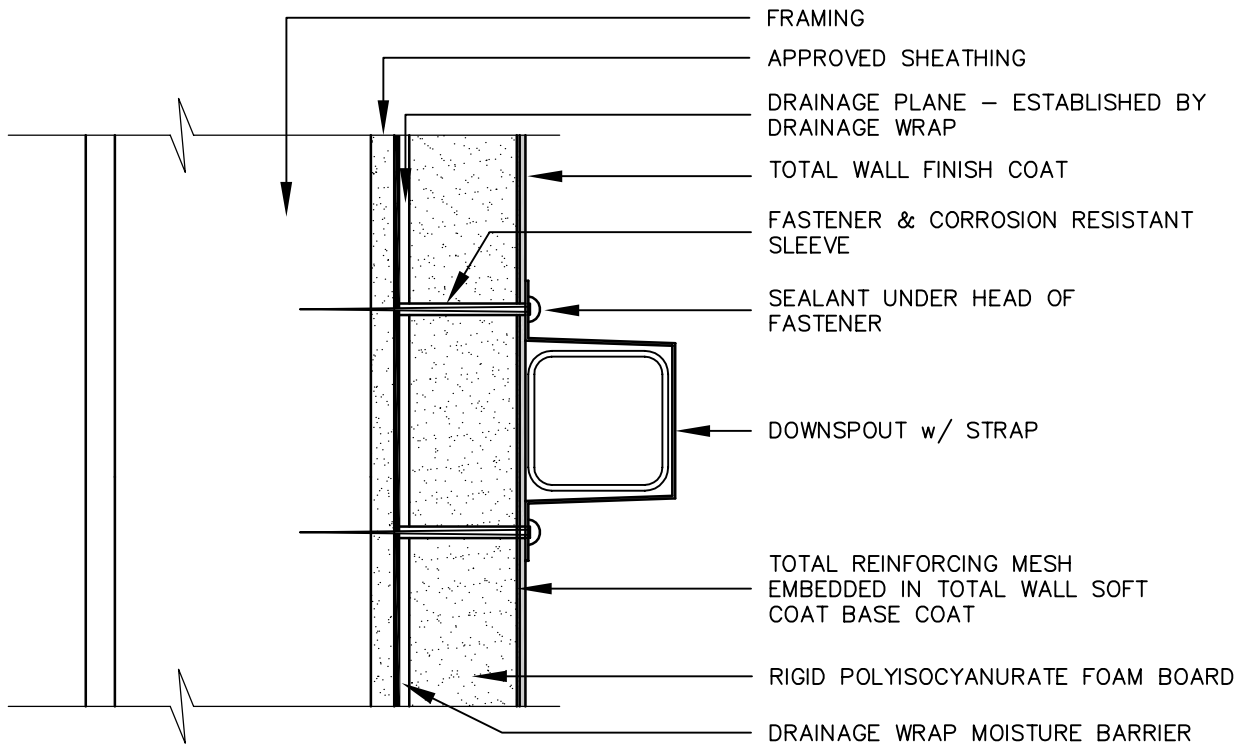


TLPI-09 TYPICAL PIPE PENETRATION

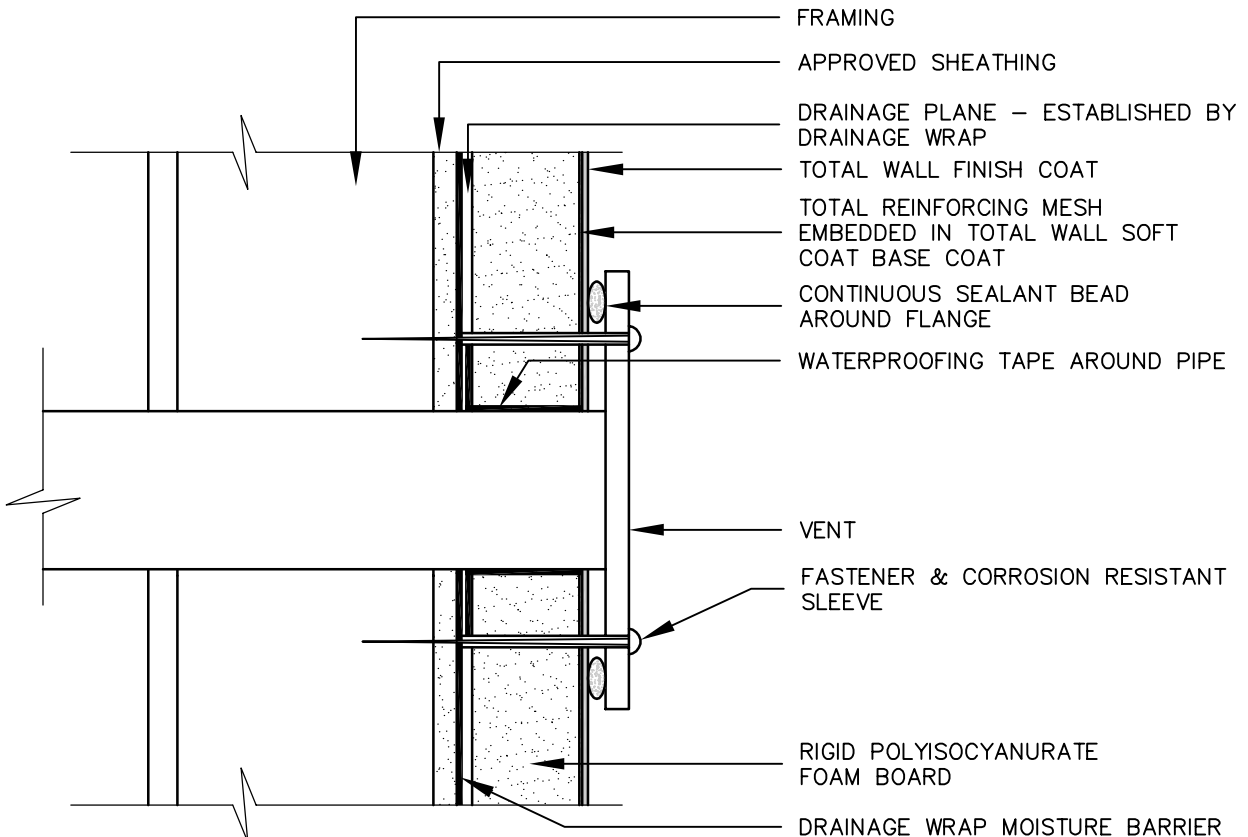
# TOTAL WALL

America's EIFS And Stucco Company!

## TOTAL LITE PI Class PI EIFS



TLPI-10 TYPICAL DOWNSPOUT ATTACHMENT

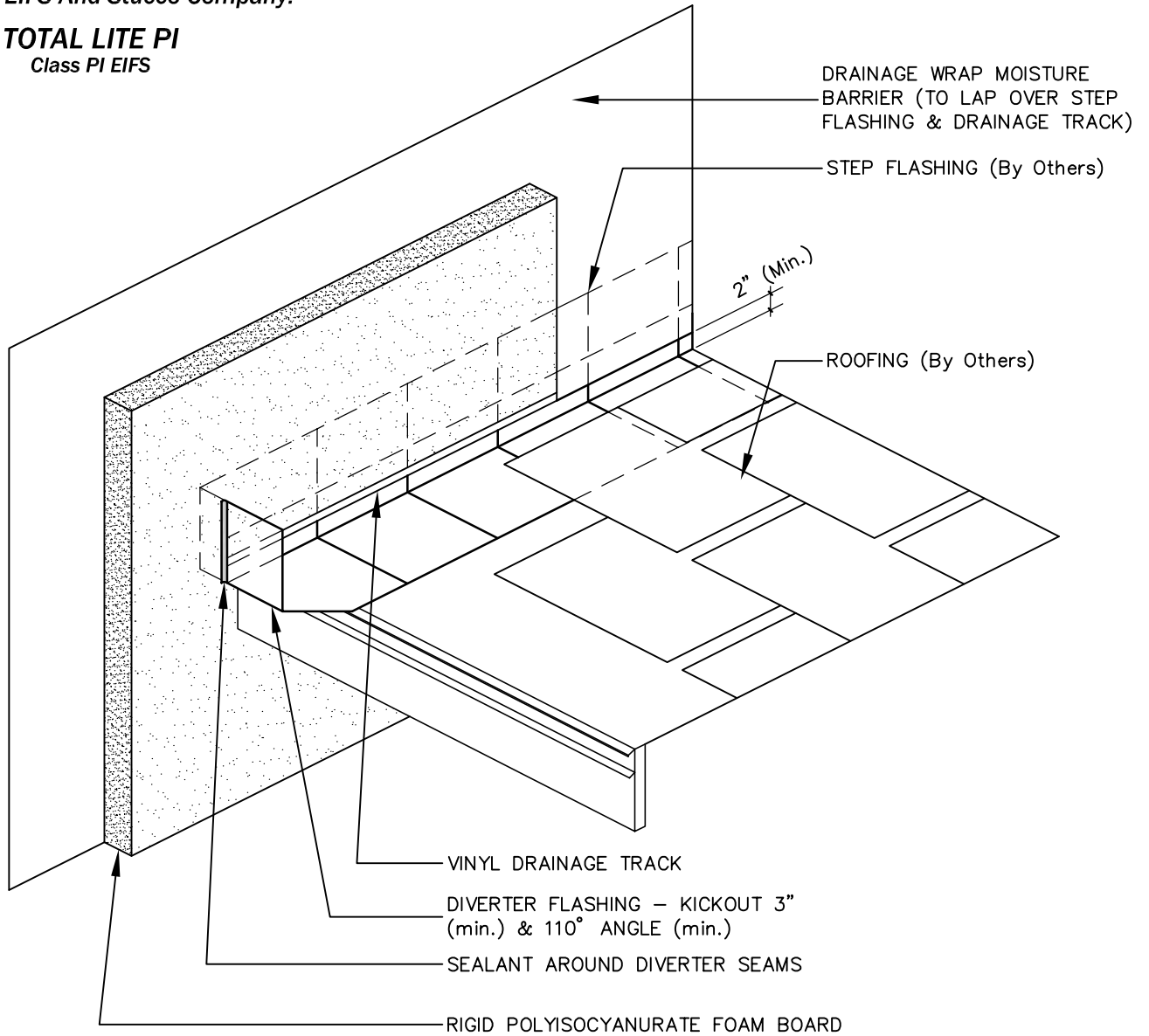


TLPI-11 TYPICAL VENT ATTACHMENT

# TOTAL WALL

America's EIFS And Stucco Company!

## TOTAL LITE PI Class PI EIFS



TLPI-12 TYPICAL KICK-OUT FLASHING

# TOTAL WALL

America's EIFS And Stucco Company!

## TOTAL LITE PI Class PI EIFS

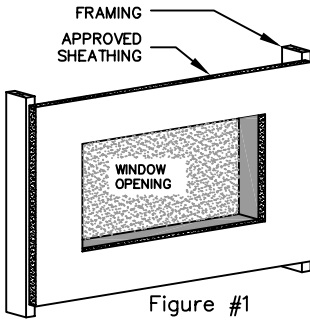


Figure #1

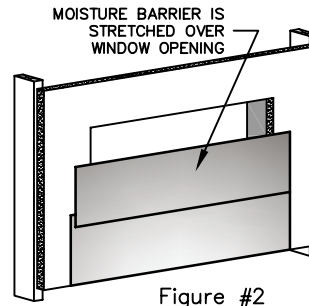


Figure #2

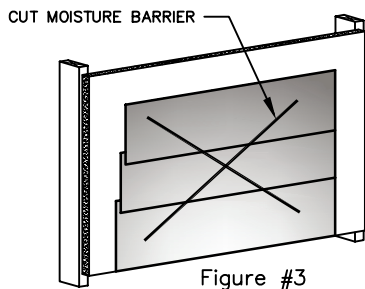


Figure #3

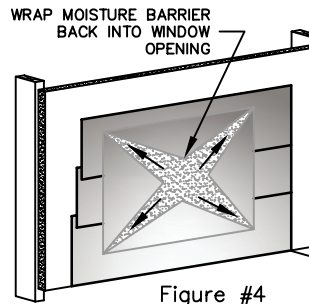


Figure #4

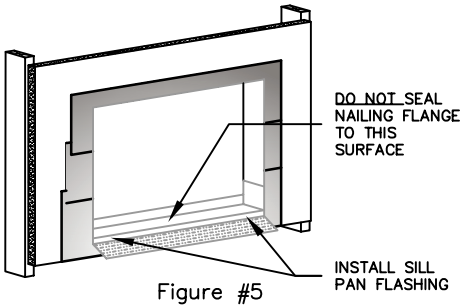


Figure #5

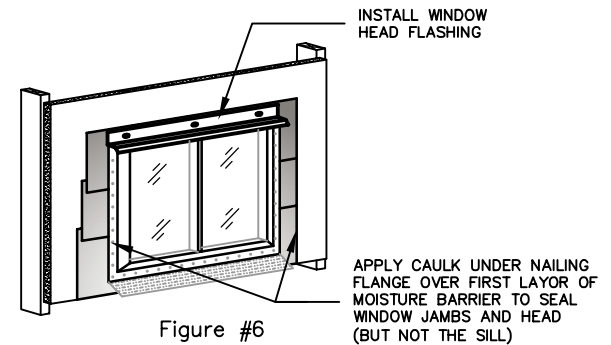


Figure #6

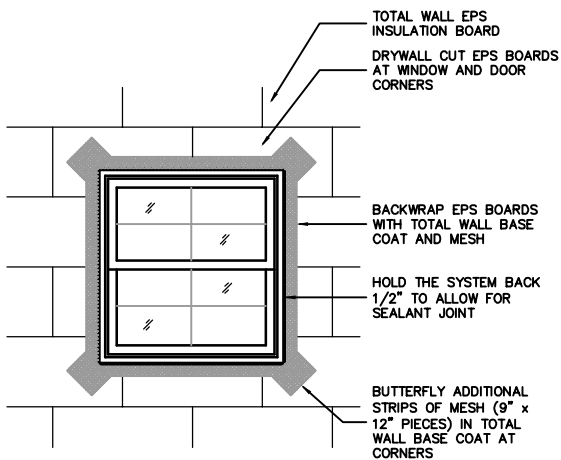
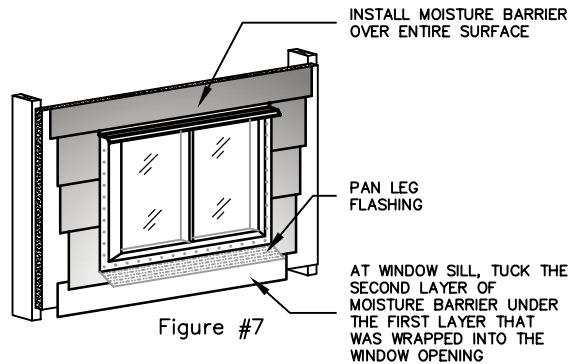


Figure #7



### TLPI-13 TYPICAL WINDOW OPENING PREPARATION