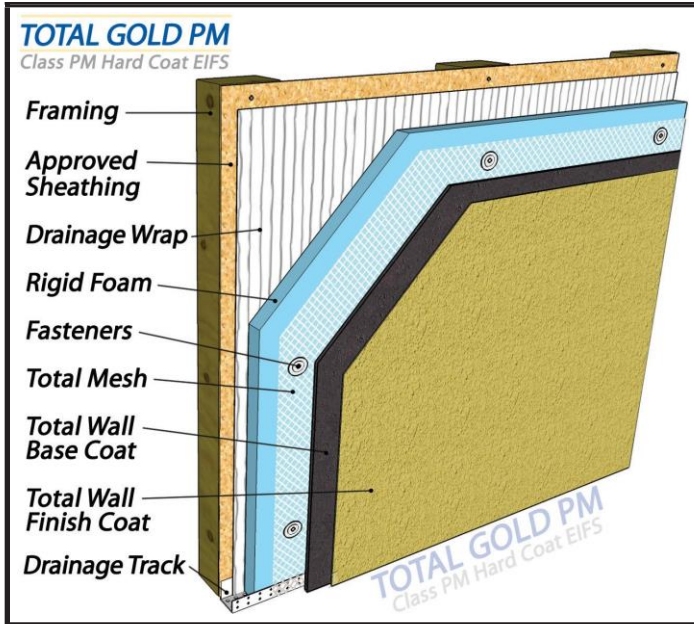


Class PM Hard Coat EIFS

AMERICA'S EIFS AND STUCCO COMPANY!

Detail Directory



Total Gold PM is our traditional Class PM EIFS, which consists of a hard coat stucco lamina mechanically fastened over 2-lb density extruded polystyrene rigid insulation board. Total Gold PM includes a designed drainage plane and can be installed over any frame and sheathing substrate or masonry substrate.

Available in unlimited colors and a variety of textures, Total Gold PM provides good energy efficiency and exceptional impact resistance as an exterior cladding system with the look of natural masonry.

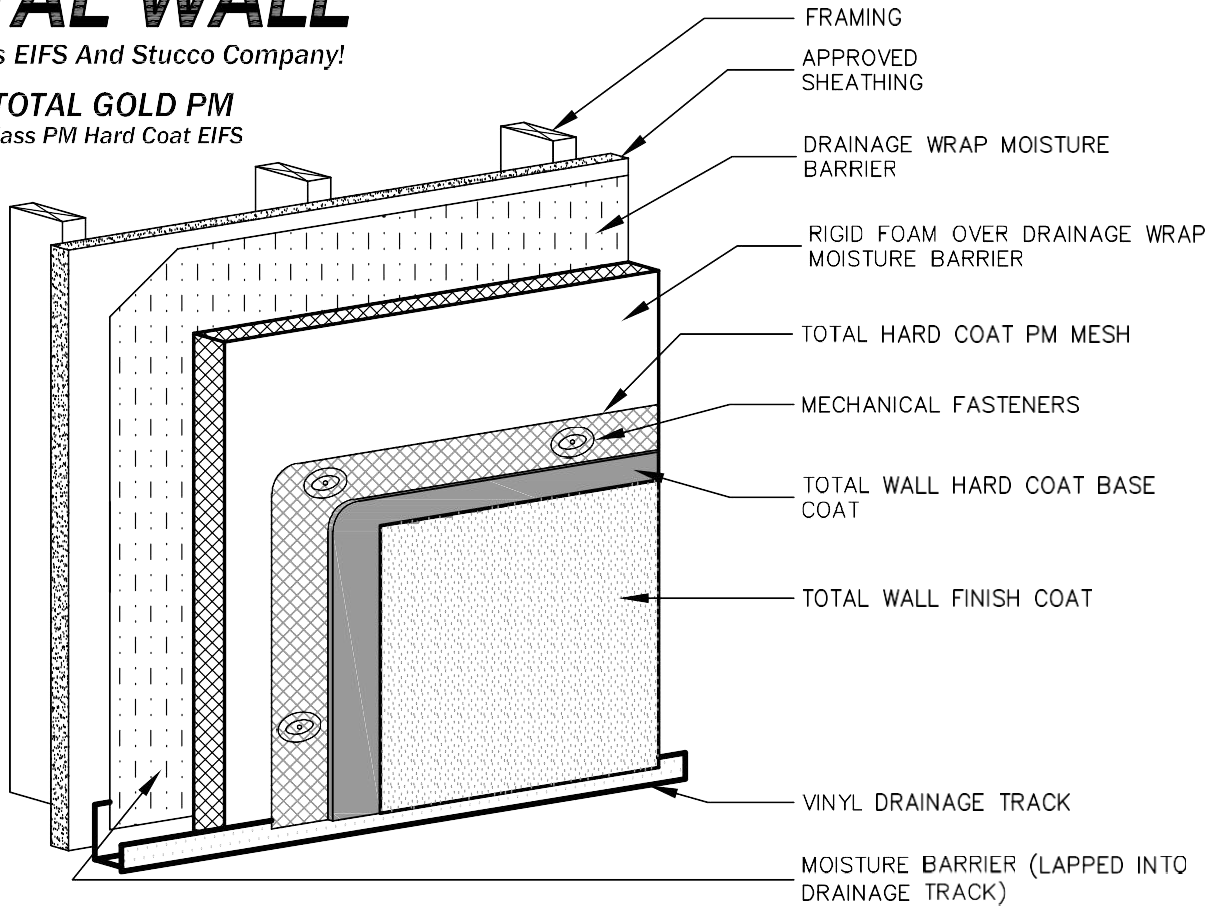
- **Energy Efficiency:** Typical R5 per inch.
- **Substrates:** Any exterior frame & sheathing or masonry.
- **Design Elements:** Requires use of control joints, includes moisture barrier and designed drainage plane, can employ reveals and trims, high impact resistance.
- **Sustainability:** Low VOC & toxicity, employs recycle content.

Typical Total Gold PM System - Iso	TGPM-01 Pg. 1
Typical Total Gold PM -Top View	TGPM-02 Pg. 1
Typical Window/Door Head (Flush)	TGPM-03.1Pg. 2
Typical Window/Door Head (Recessed)	TGPM-03.2 Pg. 2
Typical Window/Door Head (Flush)	TGPM-03.3Pg. 3
Typical Window Sill (Flush)	TGPM-04.1Pg. 3
Typical Window Sill (Recessed)	TGPM-04.2Pg. 4
Typical Window Sill (Flush)	TGPM-04.3Pg. 4
Typical Window/Door Jamb (Flush)	TGPM-05.1Pg. 5
Typical Window/Door Jamb (Recessed)	TGPM-05.2 Pg. 5
Typical Window/Door Jamb (Flush)	TGPM-05.3Pg. 6
Typical Expansion Joint	TGPM-06.1 Pg. 6
Typical Control Joint	TGPM-06.2 Pg. 7
Typical EIFS @ Masonry Sill	TGPM-08.1 Pg.7
Typical EIFS @ Masonry Sill	TGPM-08.2 Pg.8
Typical Pipe Penetration	TGPM-09 Pg. 8
Typical Downspout Attachment	TGPM-10 Pg. 9
Typical Vent Attachment	TGPM-11 Pg.9
Typical Kickout Flashing	TGPM-12 Pg. 10
Typical Window Opening Preparation	TGPM-13 Pg. 11

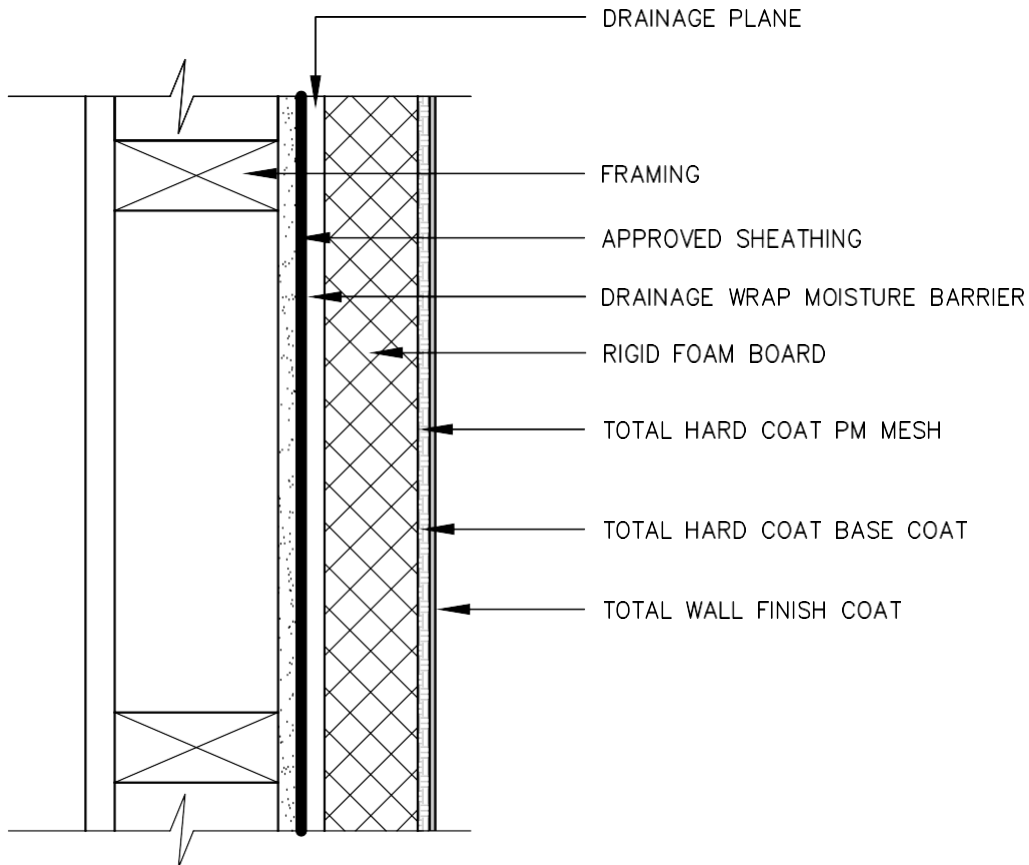
TOTAL WALL

America's EIFS And Stucco Company!

TOTAL GOLD PM Class PM Hard Coat EIFS



TGPM-01 TYPICAL HARD COAT EIFS - ISOMETRIC

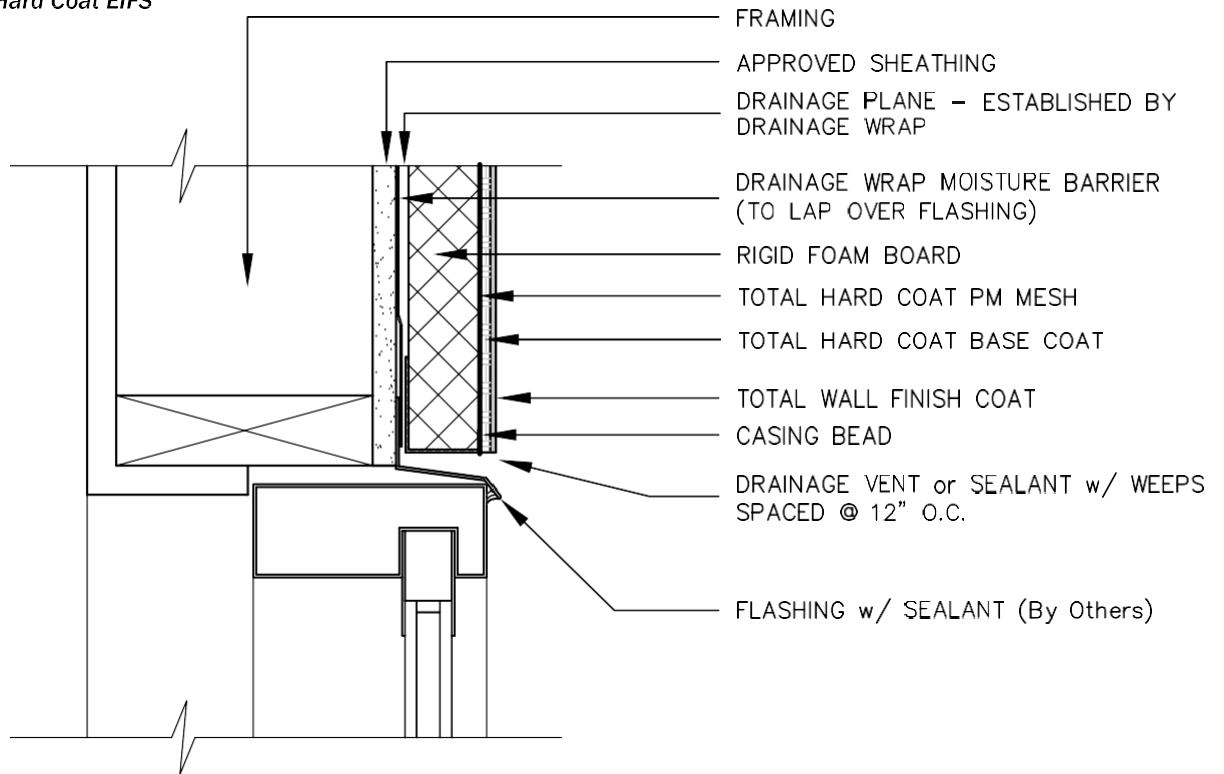


TGPM-02 TYPICAL HARD COAT EIFS - PLAN VIEW

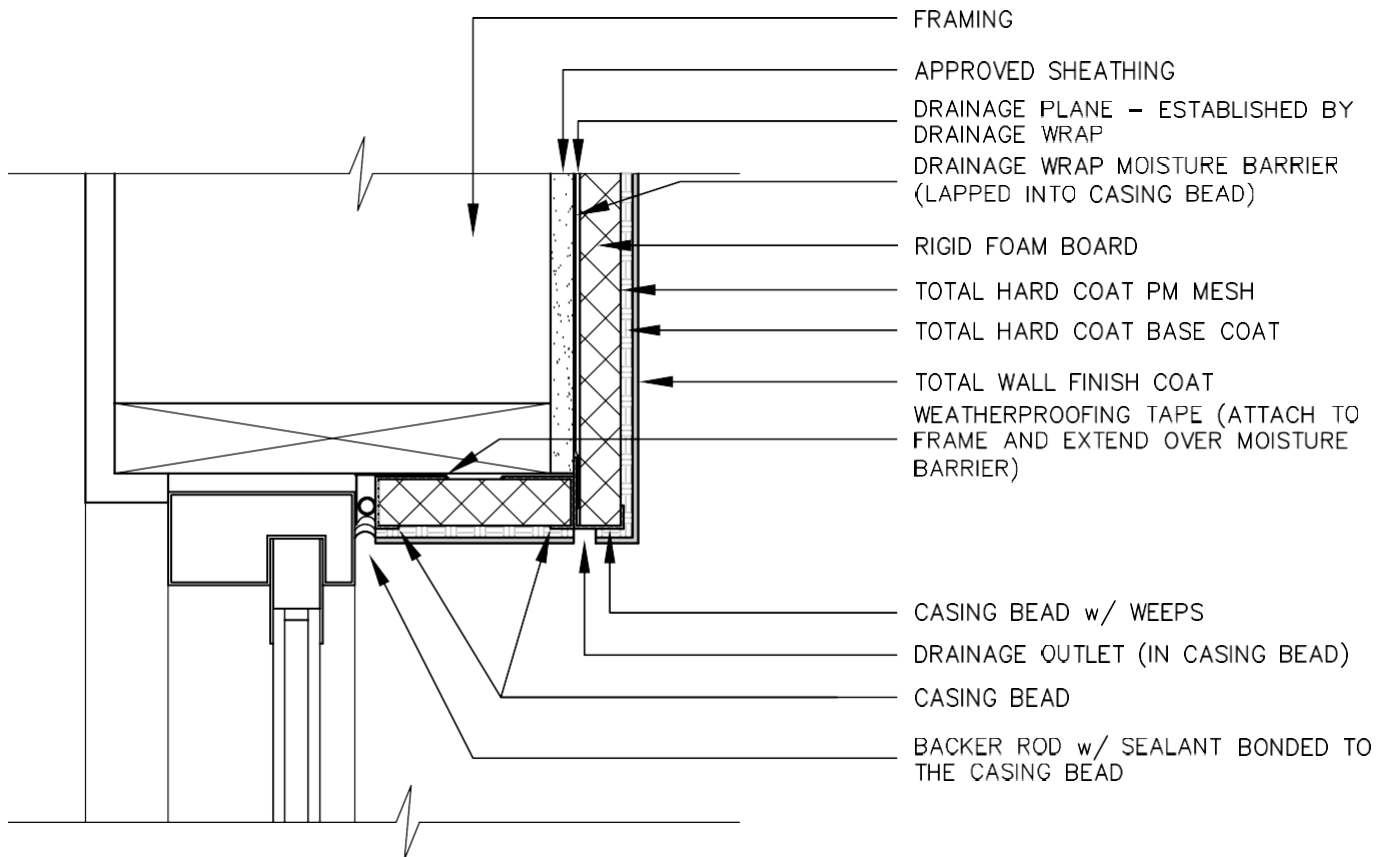
TOTAL WALL

America's EIFS And Stucco Company!

TOTAL GOLD PM Class PM Hard Coat EIFS



TGPM-03.1 TYPICAL WINDOW/DOOR HEAD (FLUSH)

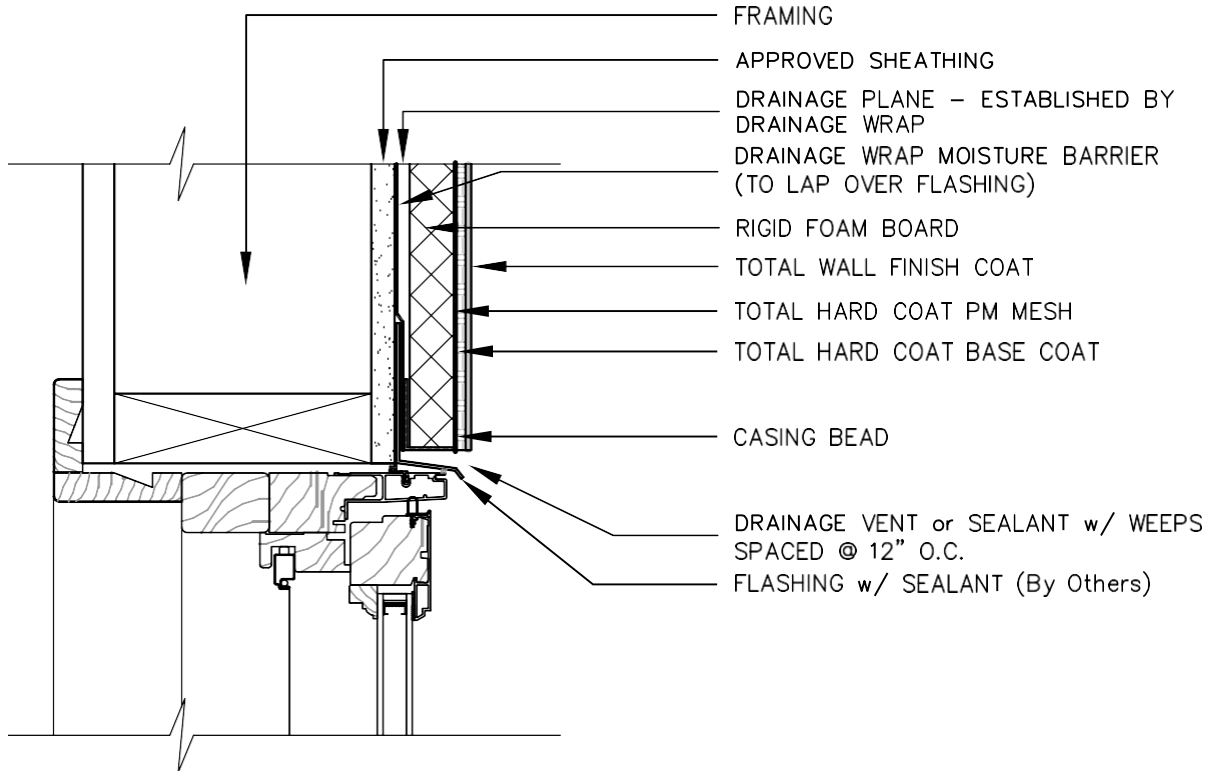


TGPM-03.2 TYPICAL WINDOW/DOOR HEAD (RECESSED)

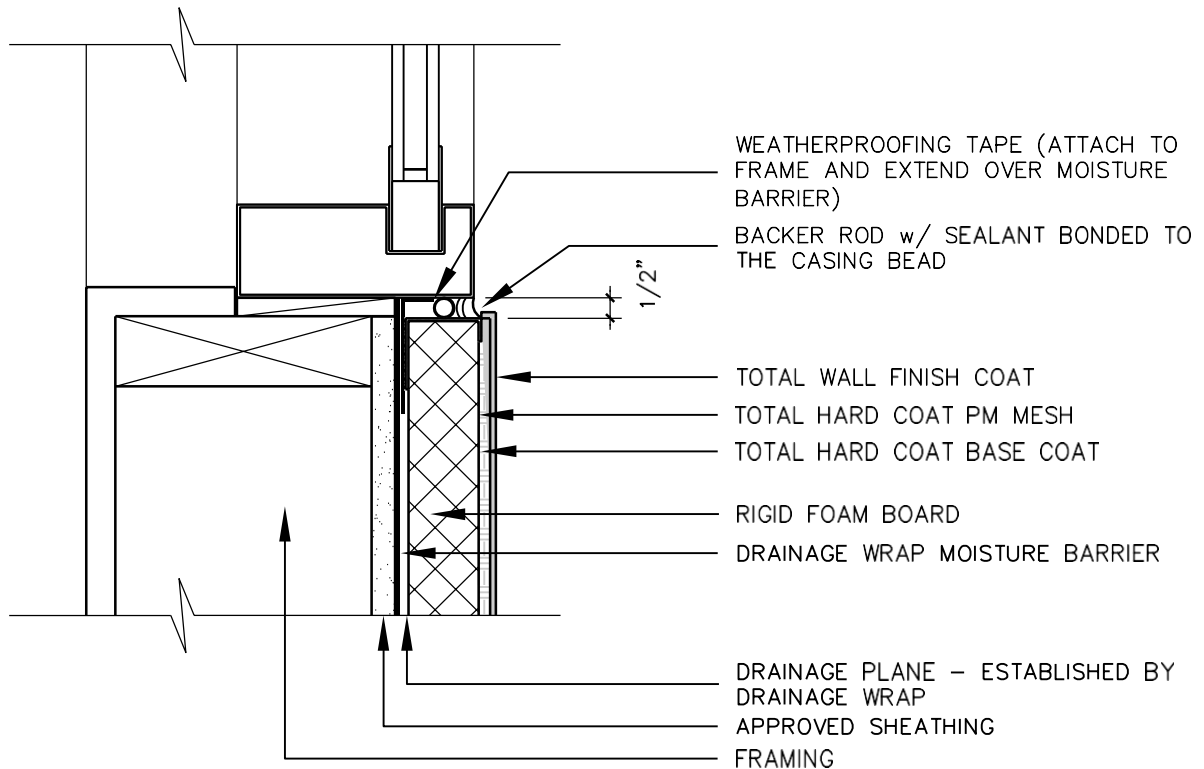
TOTAL WALL

America's EIFS And Stucco Company!

TOTAL GOLD PM Class PM Hard Coat EIFS



TGPM-03.3 TYPICAL WINDOW/DOOR HEAD (FLUSH)

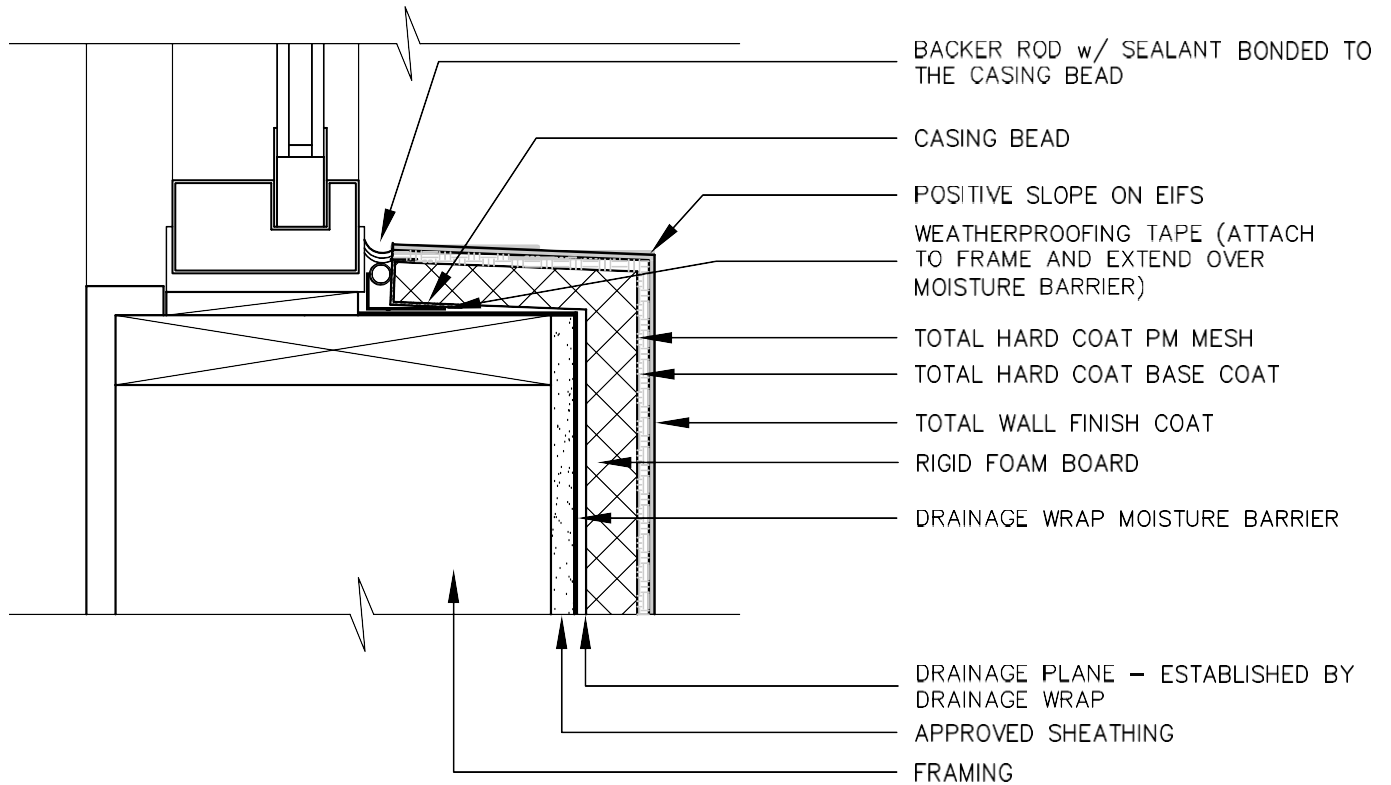


TGPM-04.1 TYPICAL WINDOW SILL (FLUSH)

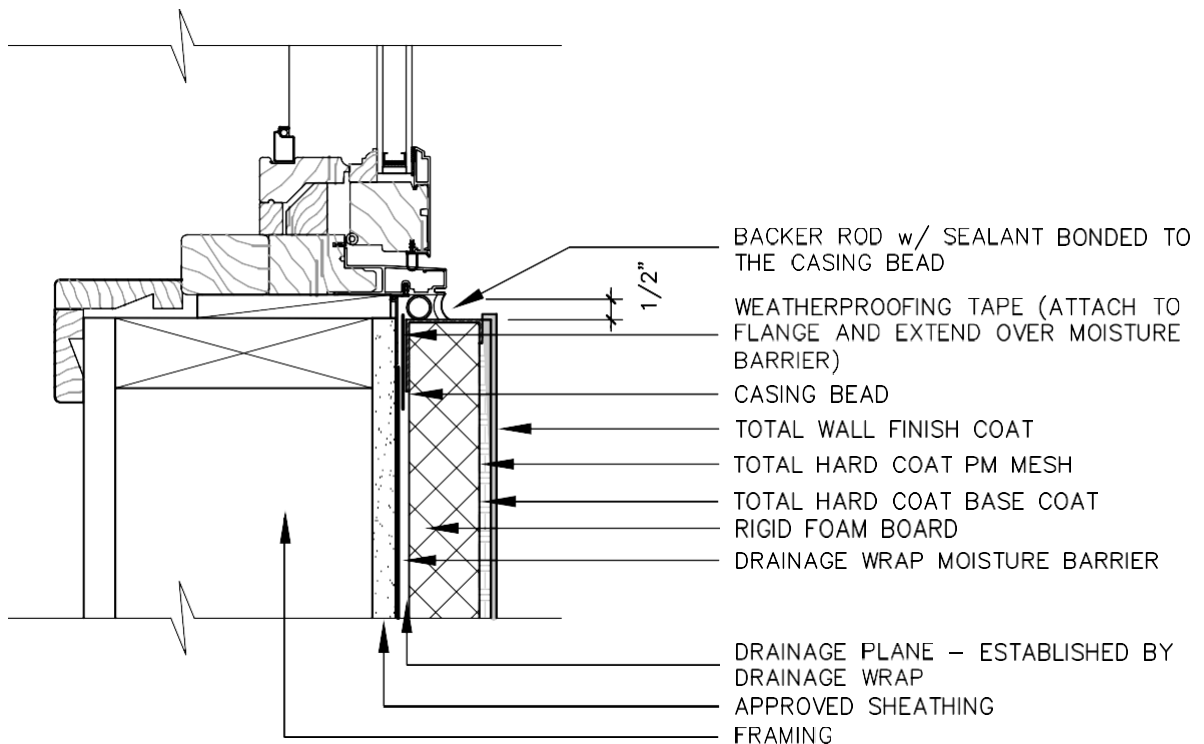
TOTAL WALL

America's EIFS And Stucco Company!

TOTAL GOLD PM Class PM Hard Coat EIFS



TGPM-04.2 TYPICAL WINDOW SILL (RECESSED)

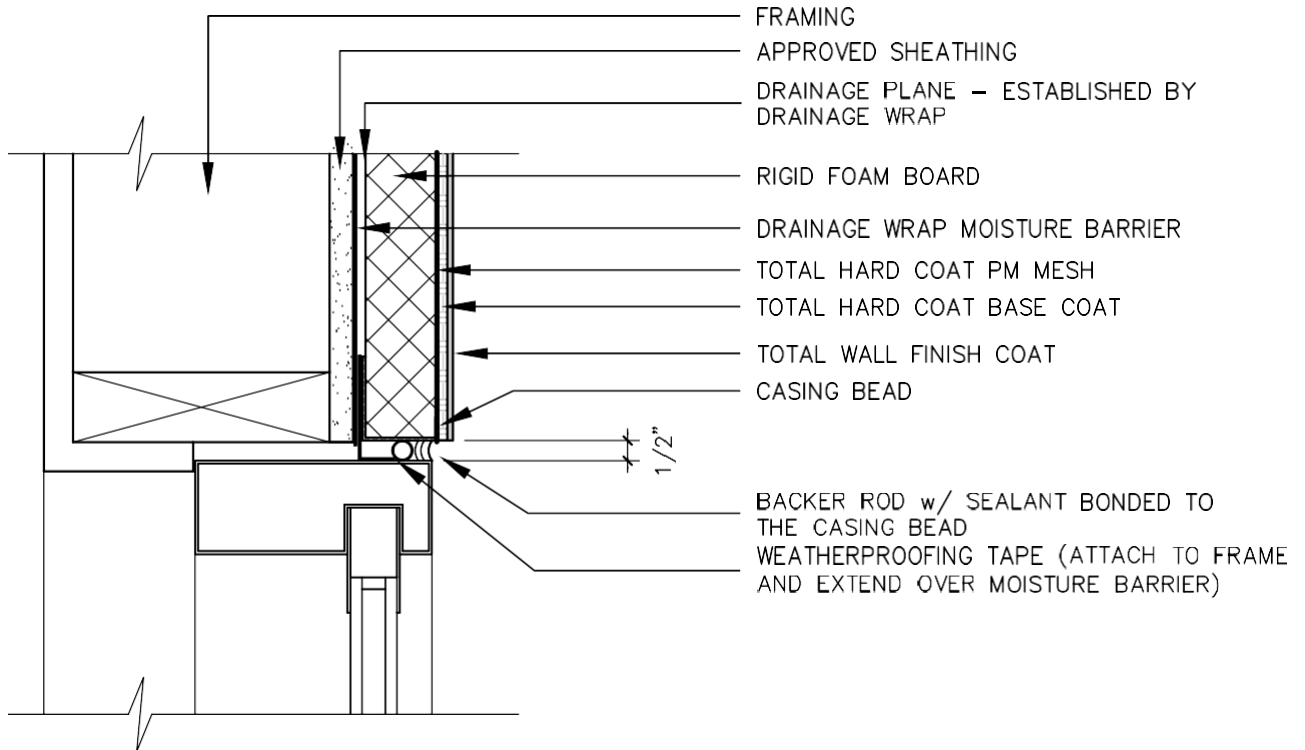


TGPM-04.3 TYPICAL WINDOW SILL (FLUSH)

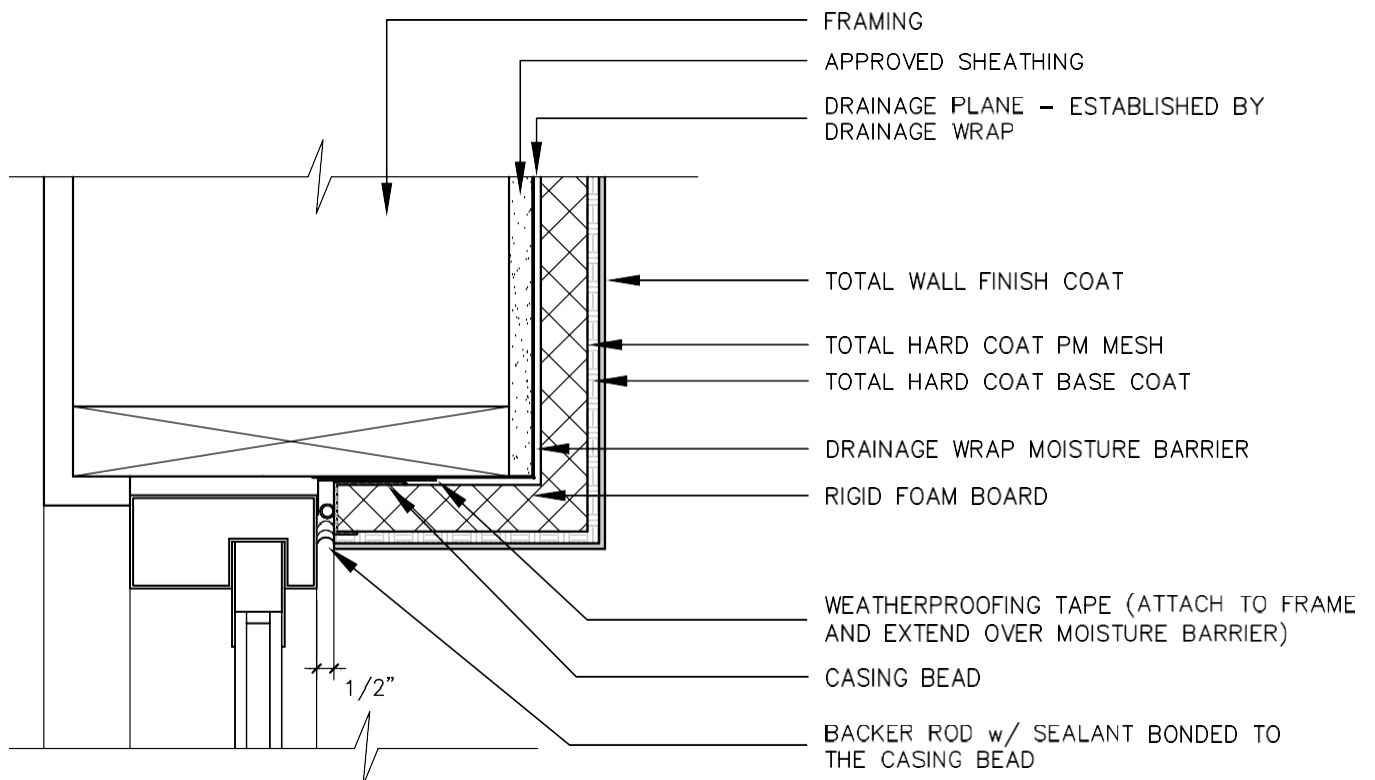
TOTAL WALL

America's EIFS And Stucco Company!

TOTAL GOLD PM Class PM Hard Coat EIFS



TGPM-05.1 TYPICAL WINDOW/DOOR JAMB (FLUSH) - TOP VIEW

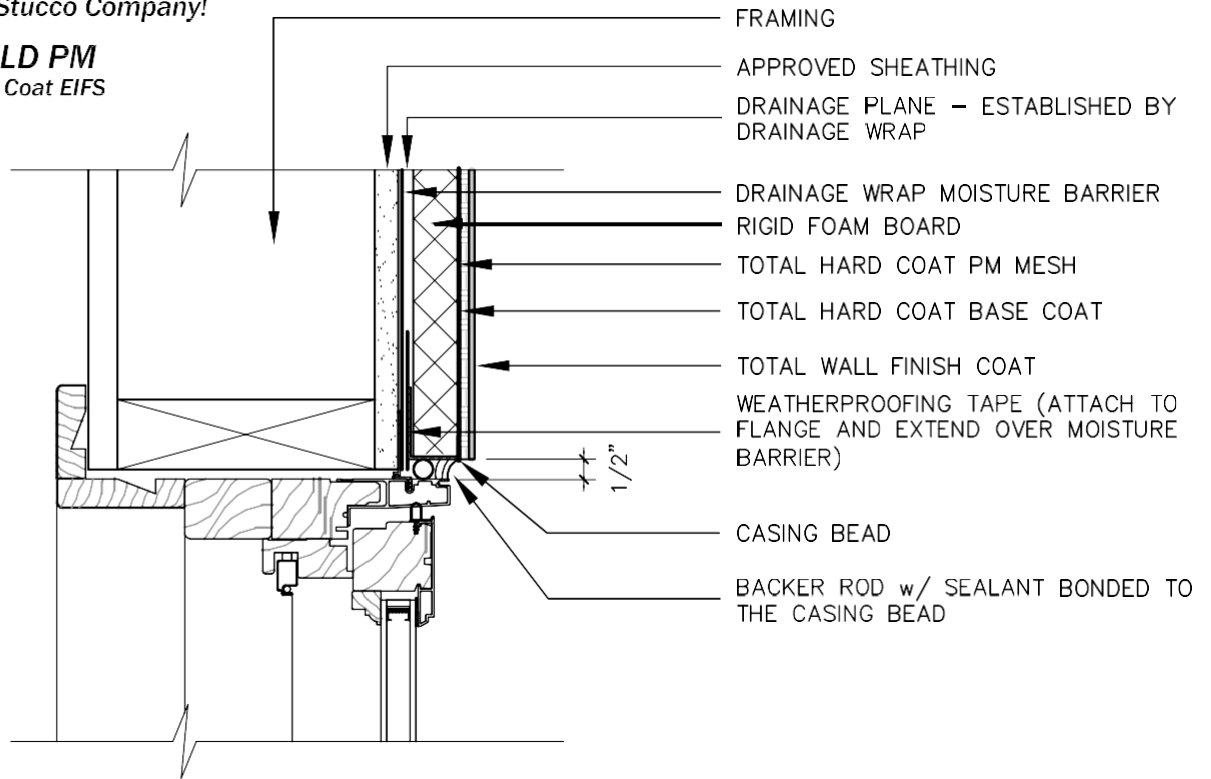


TGPM-05.2 TYPICAL WINDOW/DOOR JAMB (RECESSED) - TOP VIEW

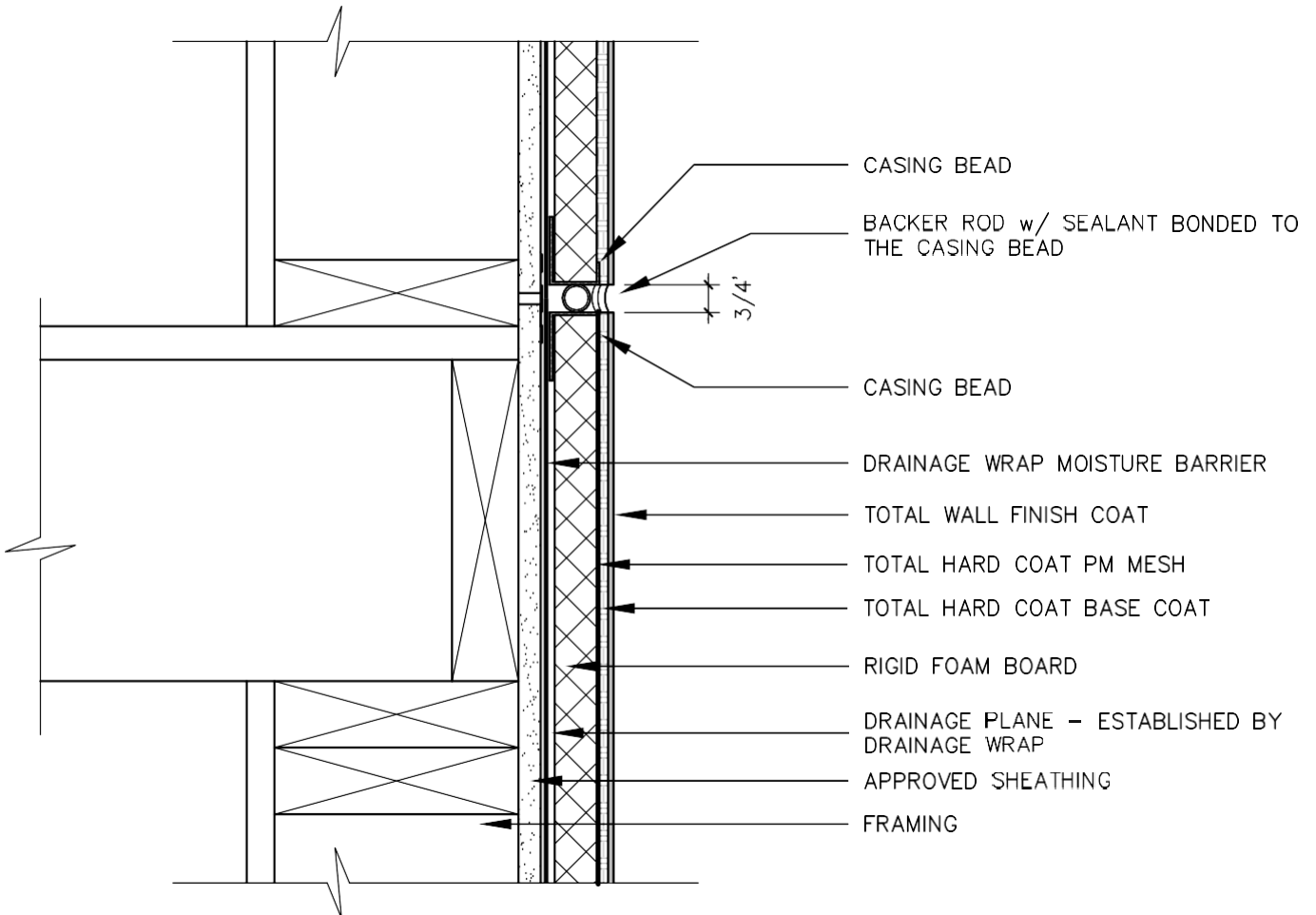
TOTAL WALL

America's EIFS And Stucco Company!

TOTAL GOLD PM Class PM Hard Coat EIFS



TGPM-05.3 TYPICAL WINDOW/DOOR JAMB (FLUSH)- TOP VIEW

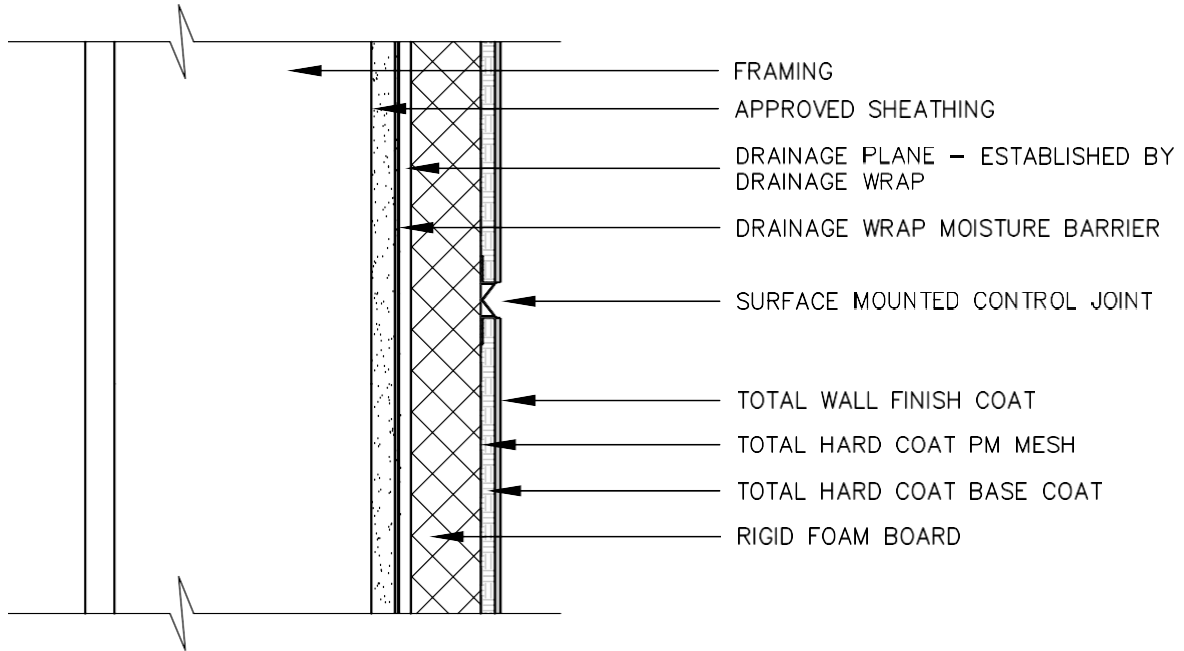


TGPM-06.1 TYPICAL EXPANSION JOINT

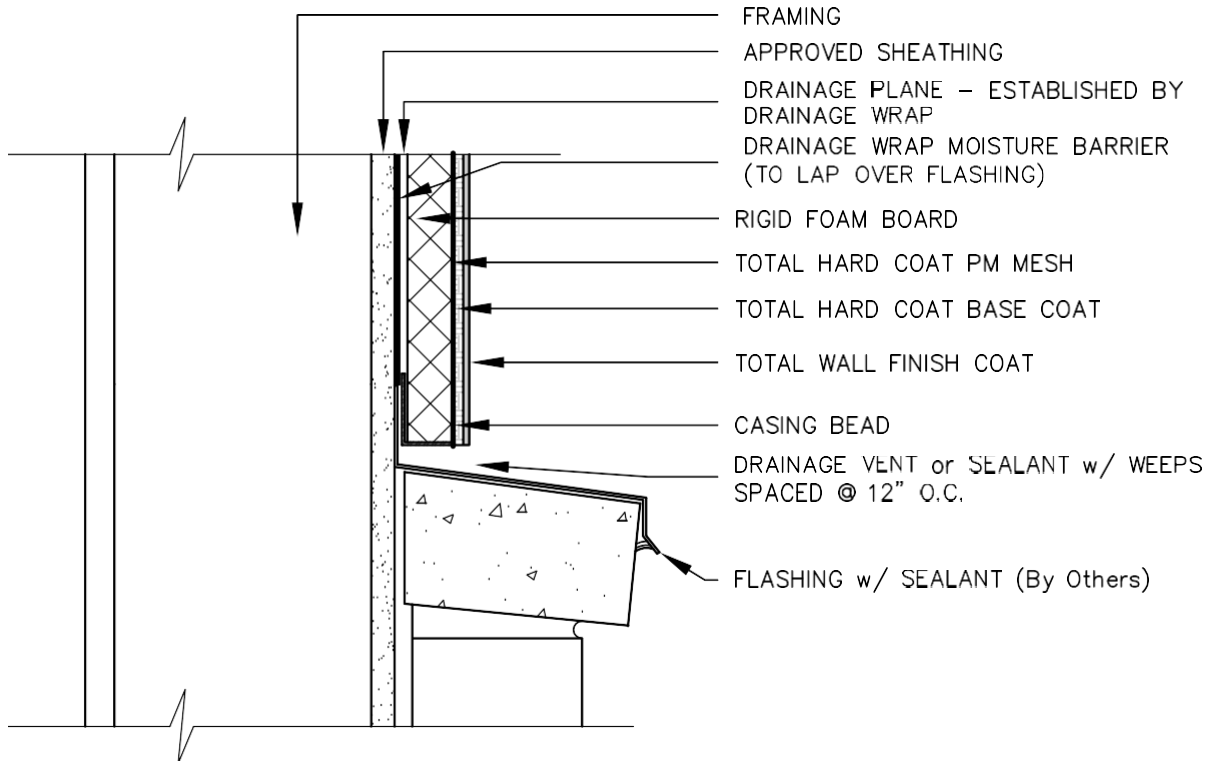
TOTAL WALL

America's EIFS And Stucco Company!

TOTAL GOLD PM Class PM Hard Coat EIFS



TGPM-06.2 TYPICAL CONTROL JOINT

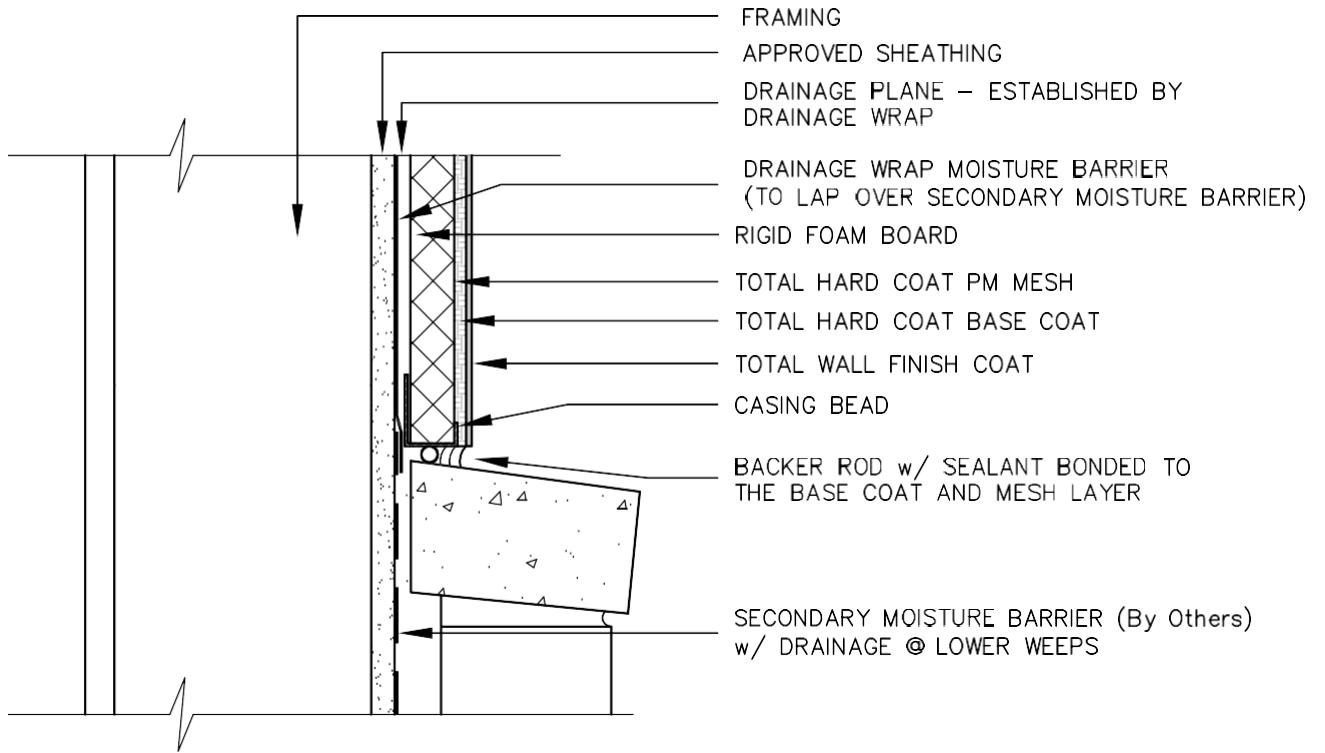


TGPM-08.1 TYPICAL EIFS @ MASONRY SILL

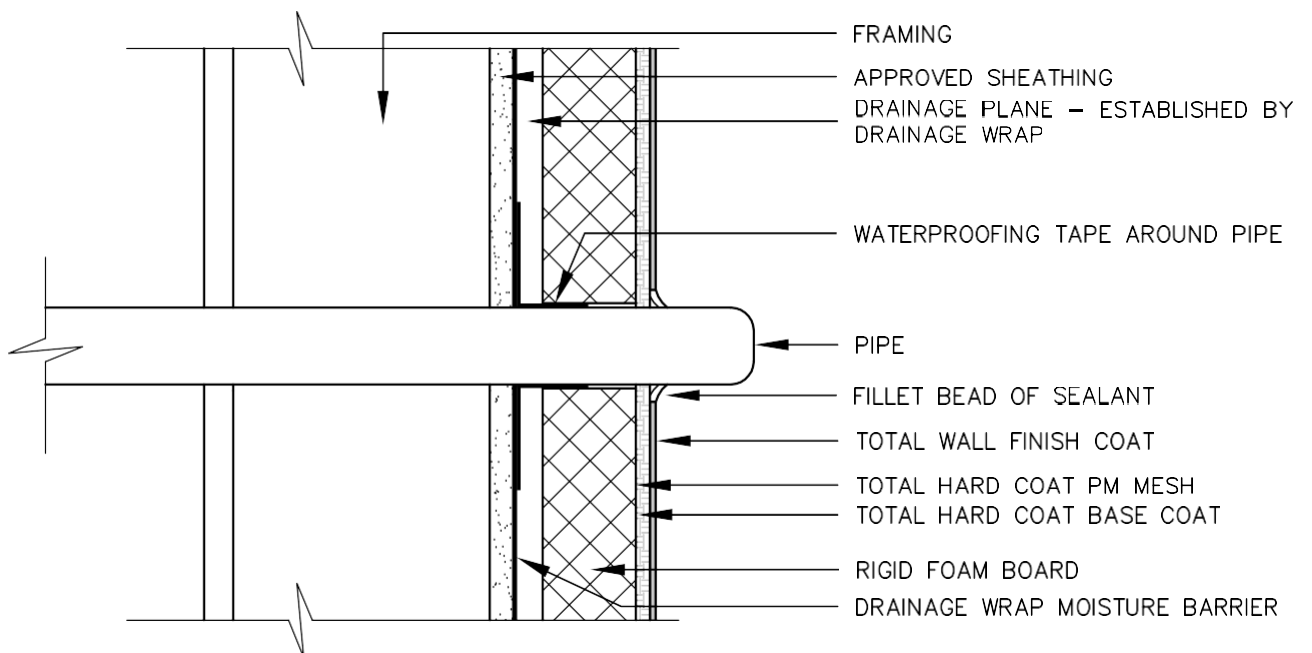
TOTAL WALL

America's EIFS And Stucco Company!

TOTAL GOLD PM Class PM Hard Coat EIFS



TGPM-08.2 TYPICAL EIFS @ MASONRY SILL

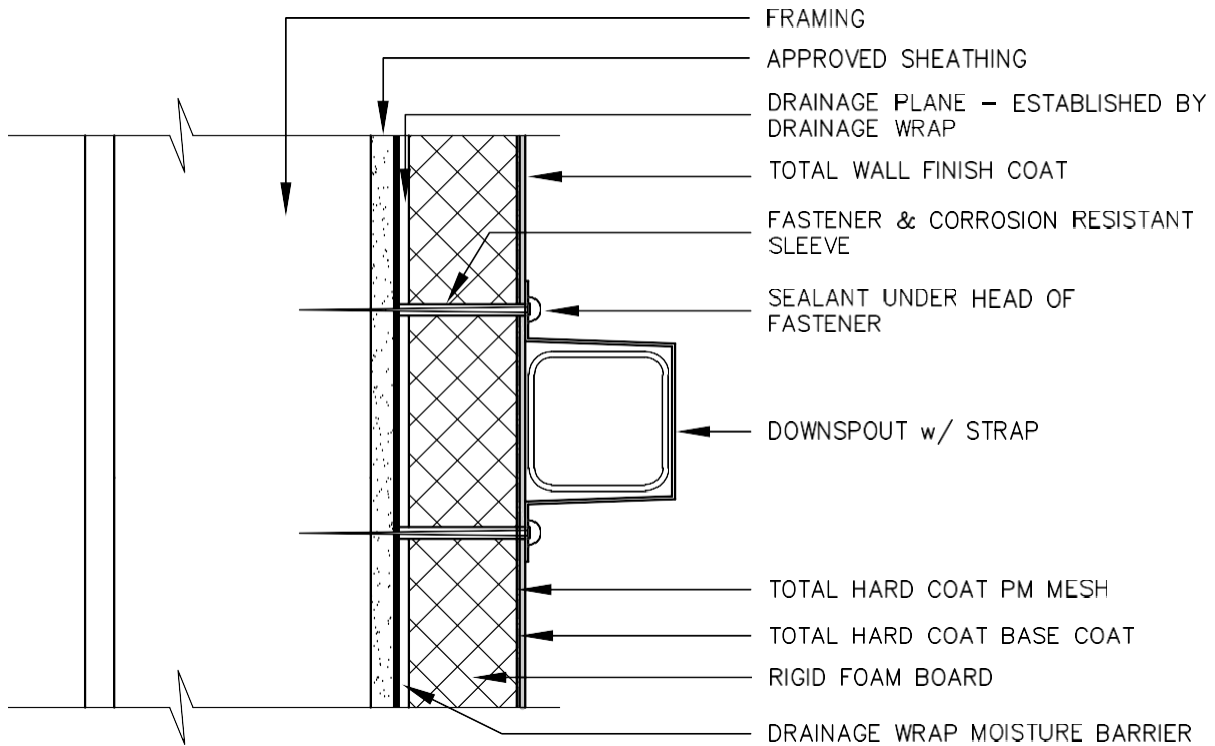


TGPM-09 TYPICAL PIPE PENETRATION

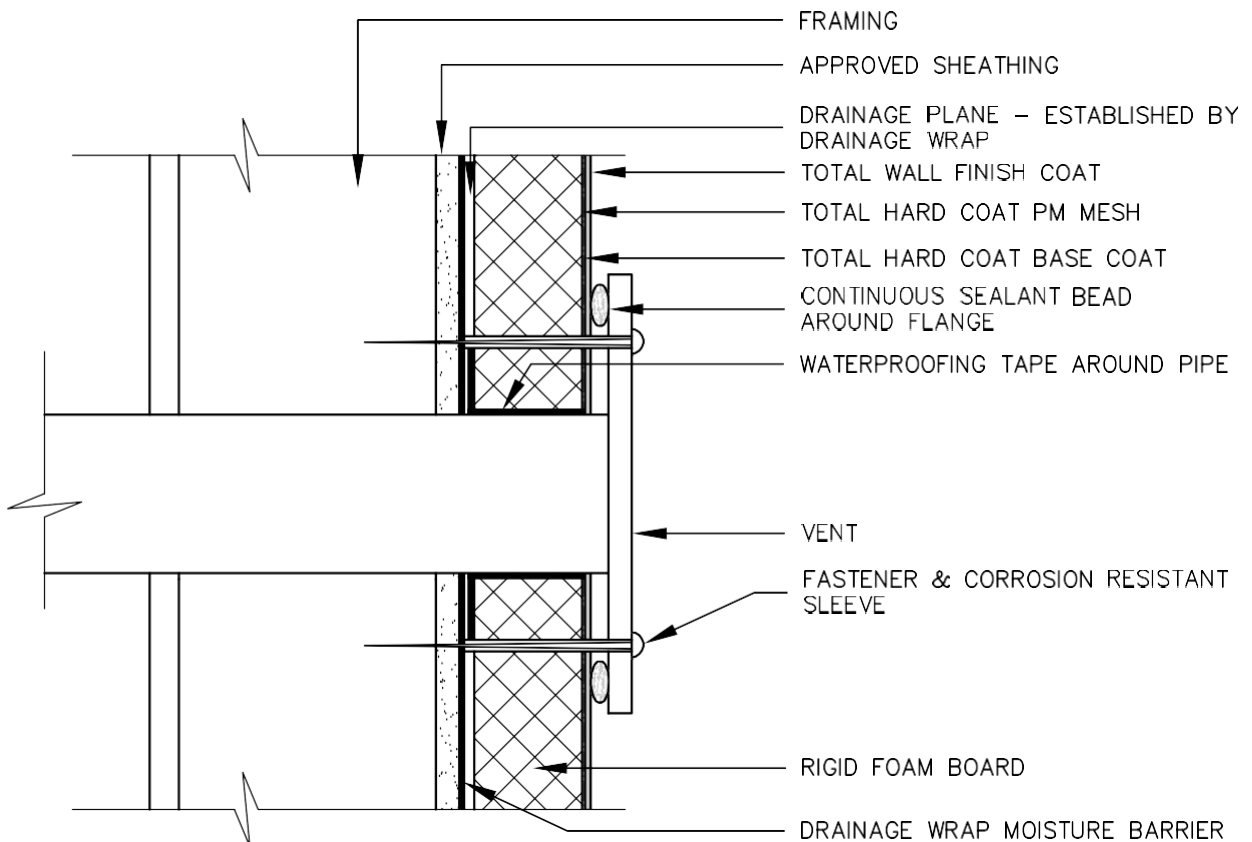
TOTAL WALL

America's EIFS And Stucco Company!

TOTAL GOLD PM Class PM Hard Coat EIFS



TGPM-10 TYPICAL DOWNSPOUT ATTACHMENT

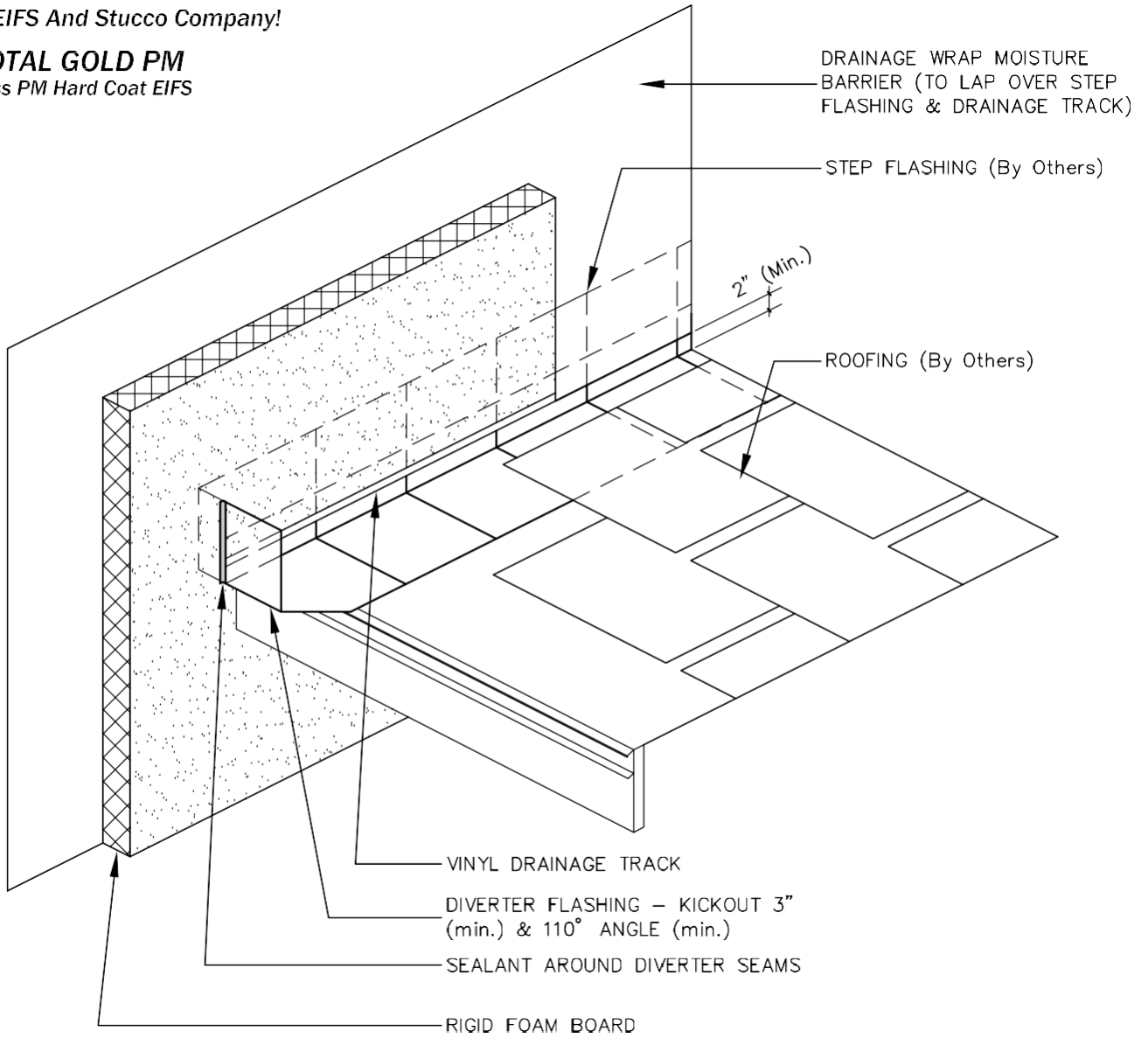


TGPM-11 TYPICAL VENT ATTACHMENT

TOTAL WALL

America's EIFS And Stucco Company!

TOTAL GOLD PM
Class PM Hard Coat EIFS



TGPM-12 TYPICAL KICK-OUT FLASHING

TOTAL WALL

America's EIFS And Stucco Company!

TOTAL GOLD PM Class PM Hard Coat EIFS

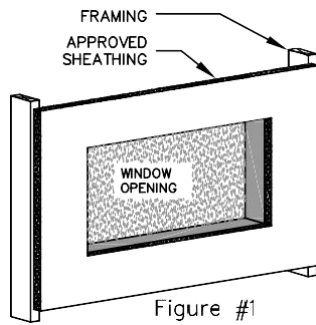


Figure #1

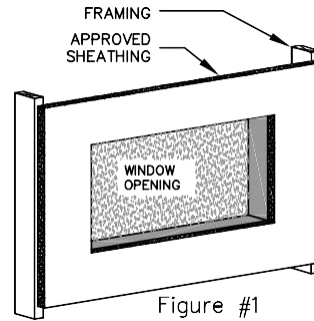


Figure #1

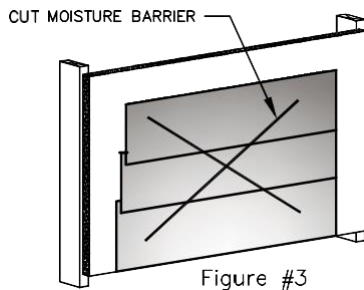


Figure #3

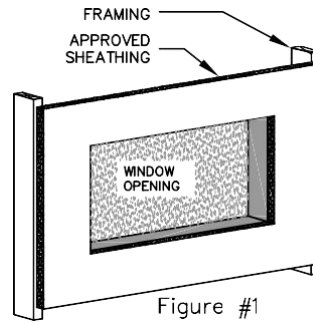


Figure #1

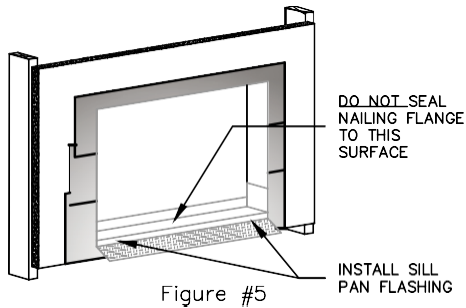


Figure #5

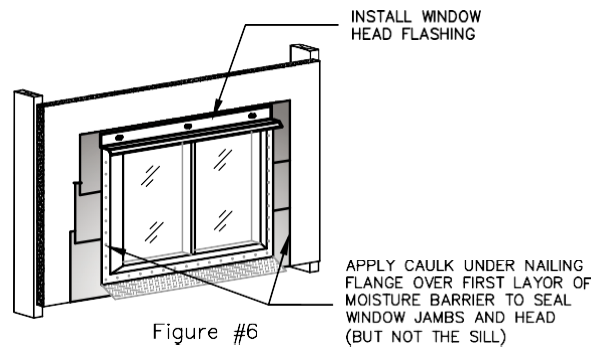


Figure #6

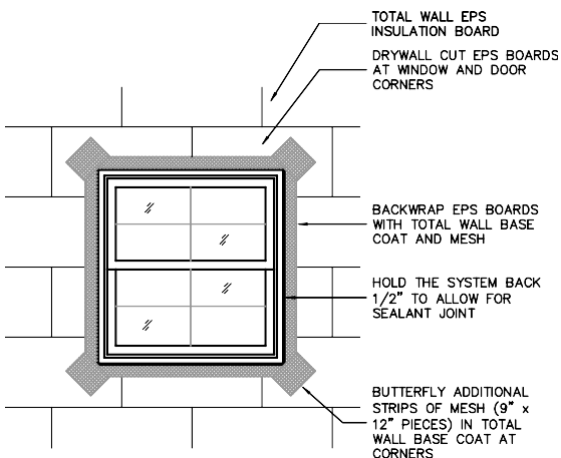
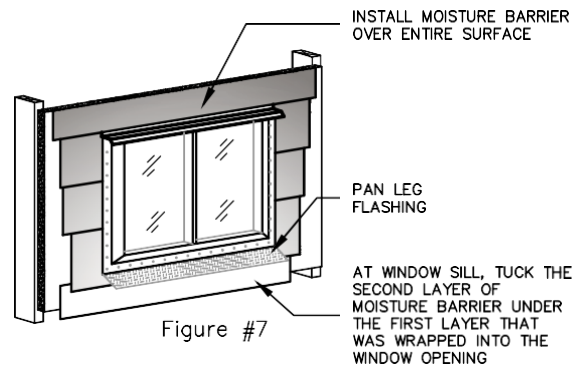


Figure #7



TGPM-13 TYPICAL WINDOW OPENING PREPARATION