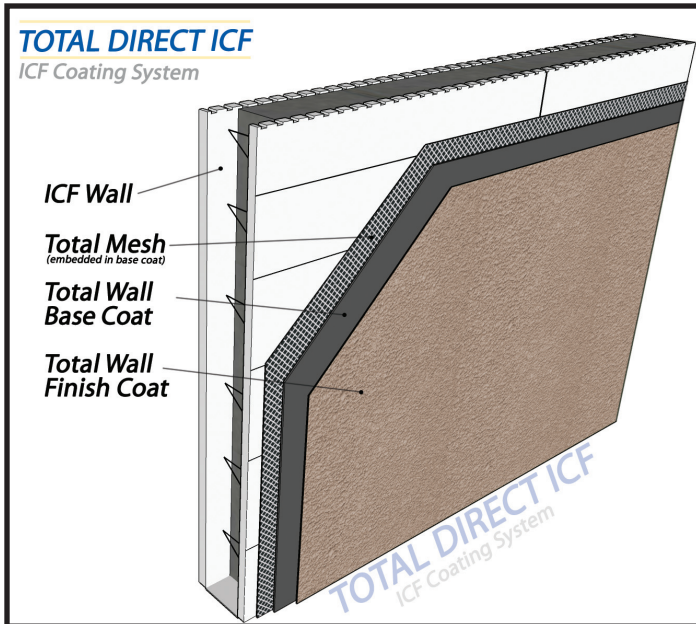


TOTAL DIRECT ICF

Section 07241
Masterformat 2004 07-24-13

ICF Coating System

AMERICA'S EIFS AND STUCCO COMPANY!



The Total Direct ICF system is the ultimate combination of rugged durability and beautiful colors and textures.

Total Mesh embedded in a highly crack resistant base coat provides a sturdy base that chemically bonds to the ICF foam. The Total Wall Finish Coat is then applied to provide the chosen color and texture.

This system is ideal for any ICF structure where a natural masonry look is desired along with an option for architectural enhancements, such as quoins, trim bands, reveals and arches.

- **Energy Efficiency:** Typical R22
- **Substrates:** ICF (Insulated Concrete Form) Walls
- **Design Elements:** Requires no control joints, can employ reveals and trims, can easily upgrade impact resistance using increased mesh weight
- **Sustainability:** Low VOC, low toxicity, recycled content

Detail Directory

Typical TotalDirect ICF System - Iso	TDICF-01	Pg 1
Typical Total Direct ICF System -Top View	TDICF-02	Pg 1
Typical Window/Door Head (Flush)	TDICF-03.1	Pg 2
Typical Window/Door Head (Recessed)	TDICF-03.2	Pg 2
Typical Window/Door Head (Flush)	TDICF-03.3	Pg 3
Typical Window Sill (Flush)	TDICF-04.1	Pg 3
Typical Window Sill (Recessed)	TDICF-04.2	Pg 4
Typical Window Sill (Flush)	TDICF-04.3	Pg 4
Typical Window/Door Jamb (Flush)	TDICF-05.1	Pg 5
Typical Window/Door Jamb (Recessed)	TDICF-05.2	Pg 5
Typical Window/Door Jamb (Flush)	TDICF-05.3	Pg 6
Typical Expansion Joint	TDICF-06.1	Pg 6
Typical Control Joint	TDICF-06.2	Pg 7
Typical EIFS @ Masonry	TDICF-08	Pg 7
Typical Pipe Penetration	TDICF-09	Pg 8
Typical Downspout Attachment	TDICF-10	Pg 8
Typical Vent Attachment	TDICF-11	Pg 9
Typical Grade Termination	TDICF-13	Pg 9
Typical Window Opening Preparation	TDICF-14	Pg 10

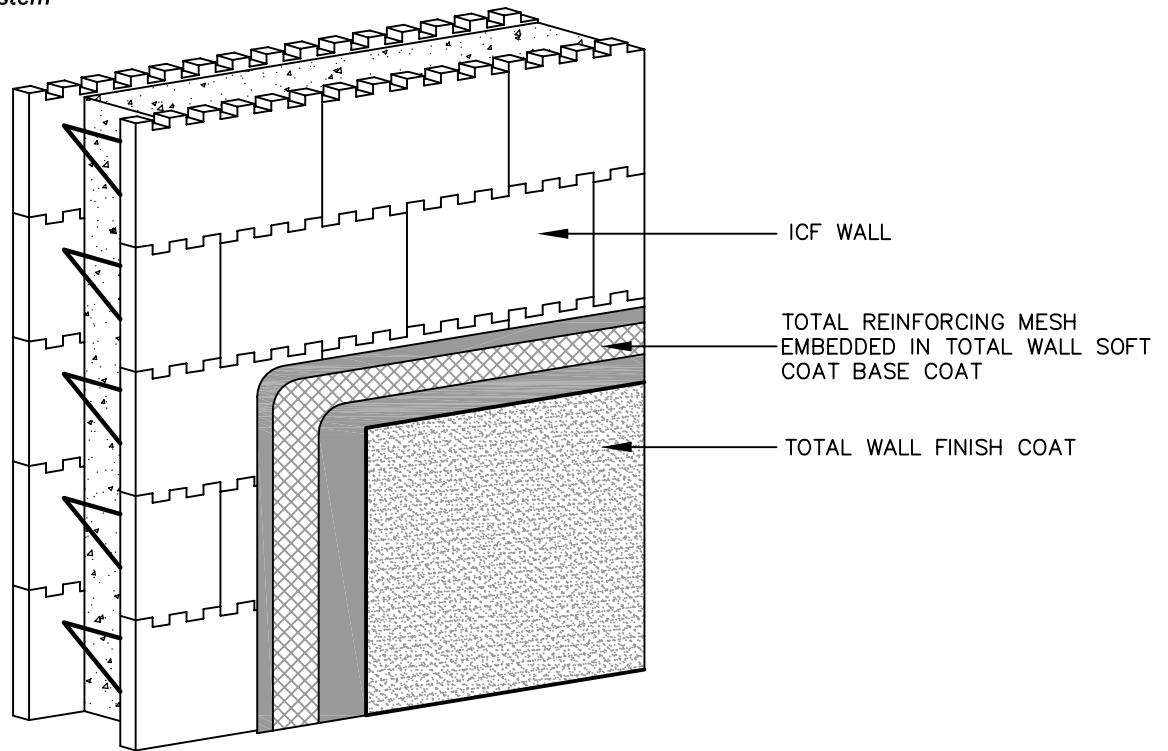
TOTAL WALL
AMERICA'S EIFS AND STUCCO COMPANY!

Ph 888.702.9915 Fax 888.702.9916 totalwall.com

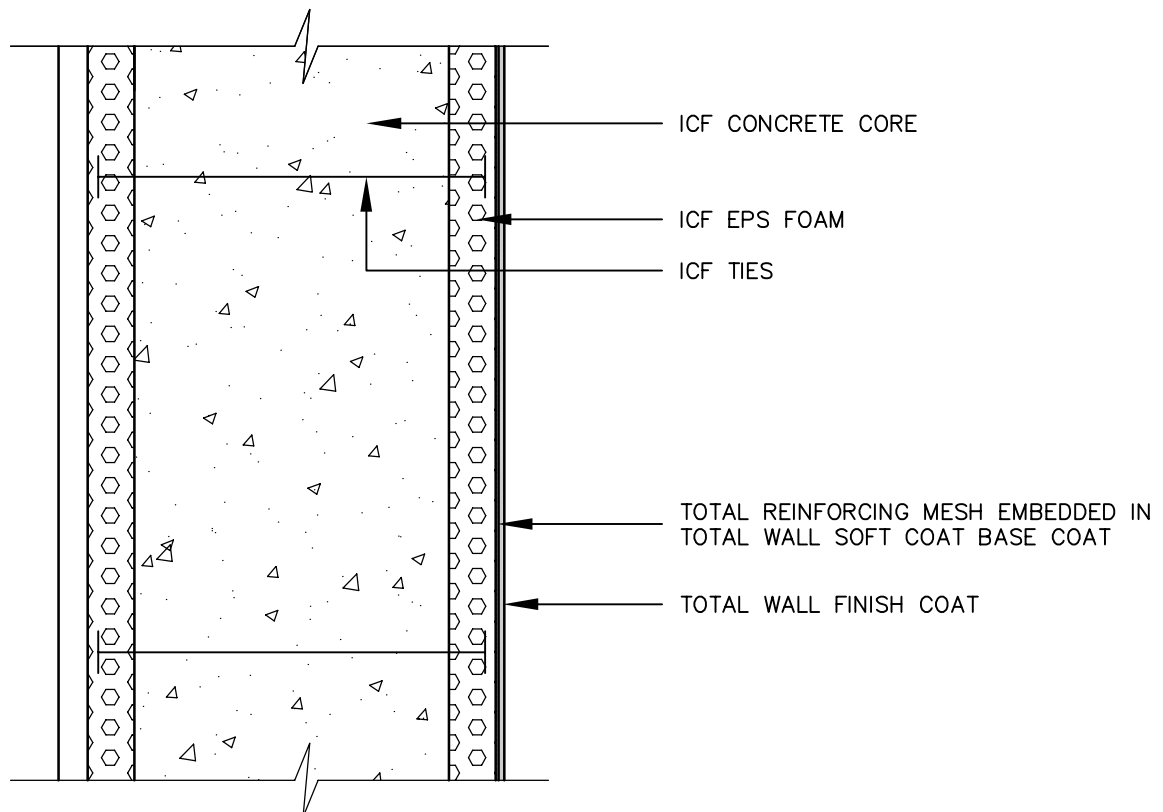
TOTAL WALL

America's EIFS And Stucco Company!

TOTAL DIRECT ICF ICF Coating System



TDICF-01 TYPICAL TOTAL DIRECT ICF - ISOMETRIC

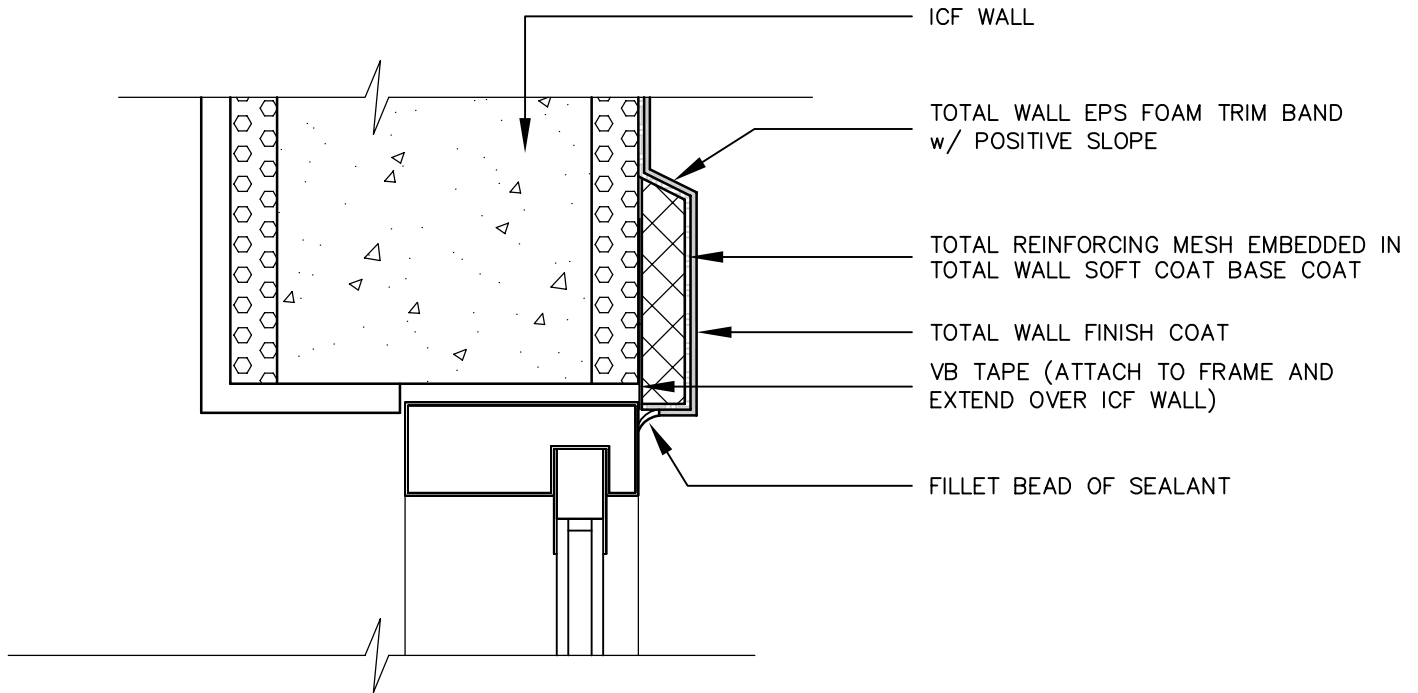


TDICF-02 TYPICAL TOTAL DIRECT ICF - PLAN VIEW

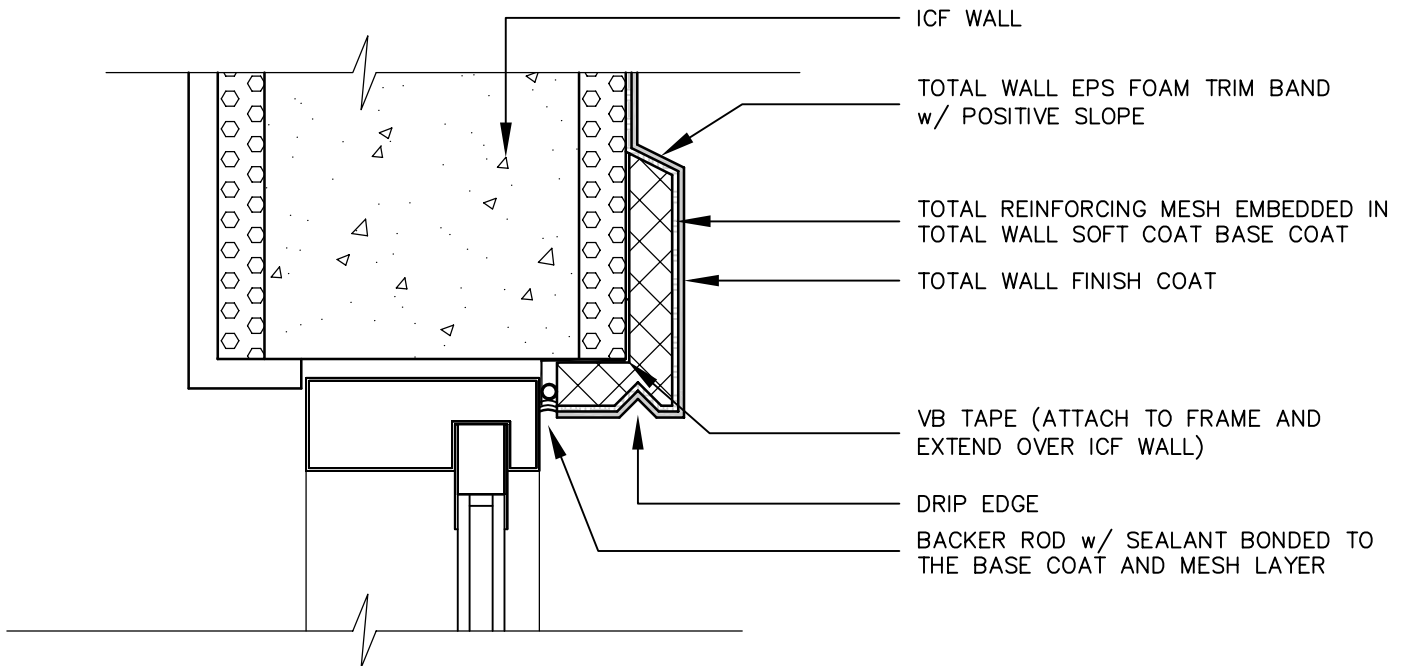
TOTAL WALL

America's EIFS And Stucco Company!

TOTAL DIRECT ICF ICF Coating System



TDICF-03.1 TYPICAL WINDOW/DOOR HEAD

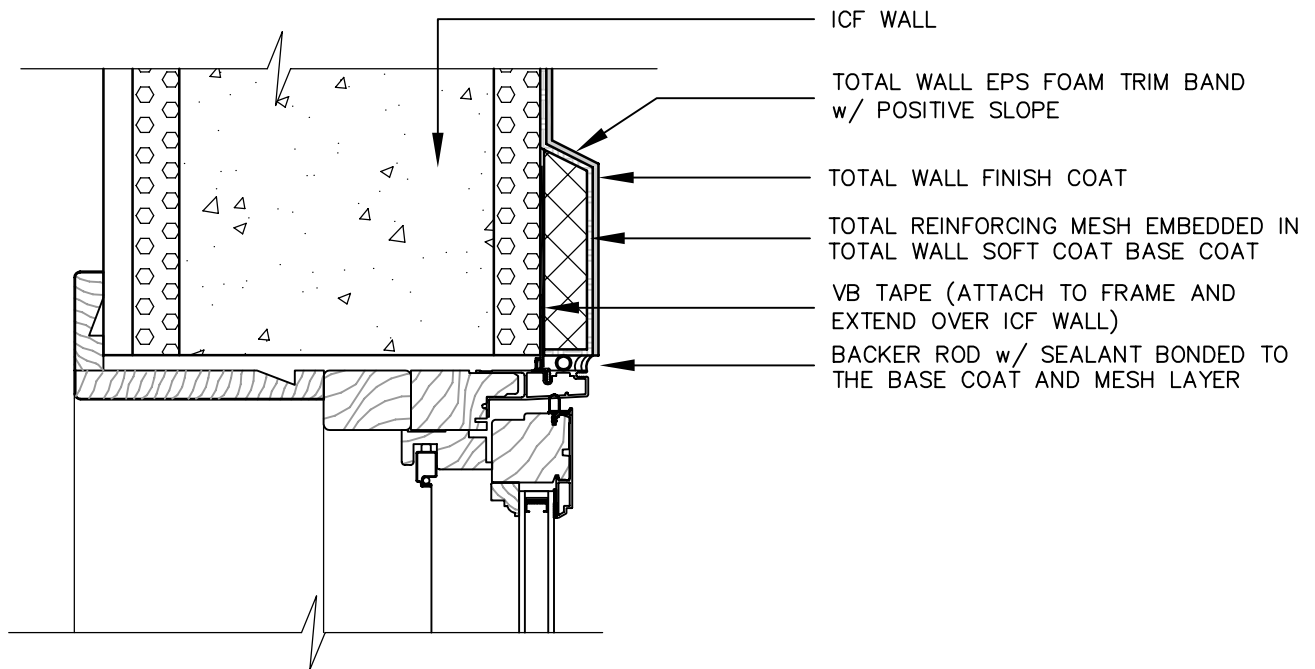


TDICF-03.2 TYPICAL WINDOW/DOOR HEAD (RECESSED)

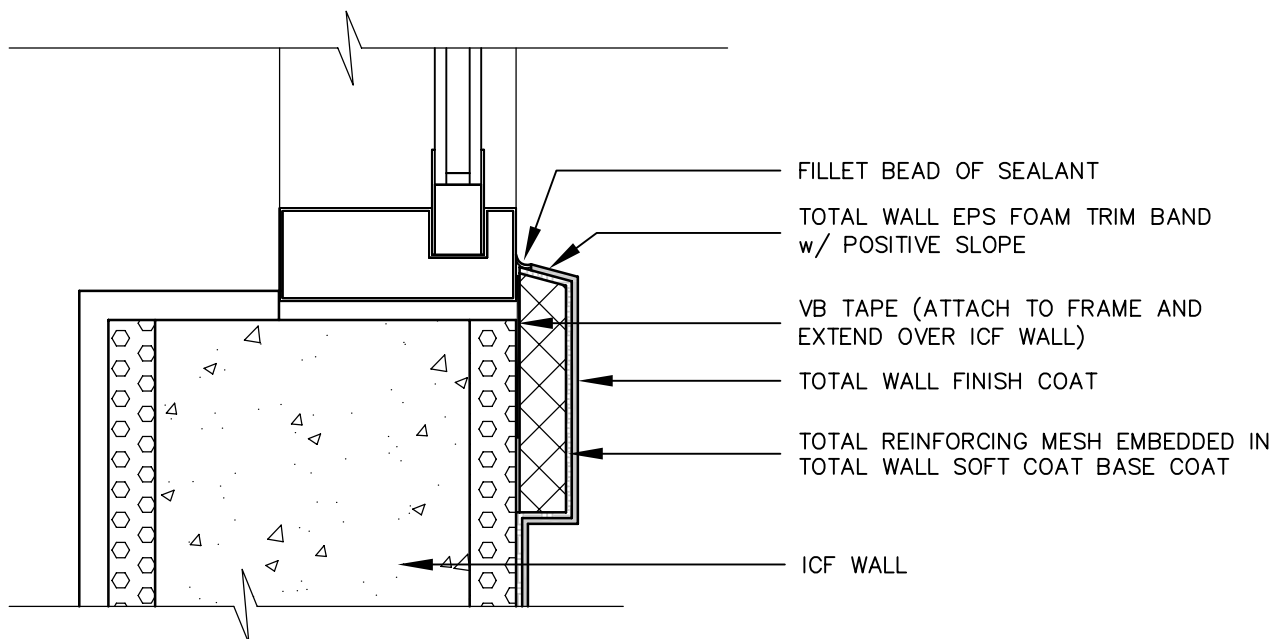
TOTAL WALL

America's EIFS And Stucco Company!

TOTAL DIRECT ICF ICF Coating System



TDICF-03.3 TYPICAL WINDOW /DOOR HEAD (FLUSH)

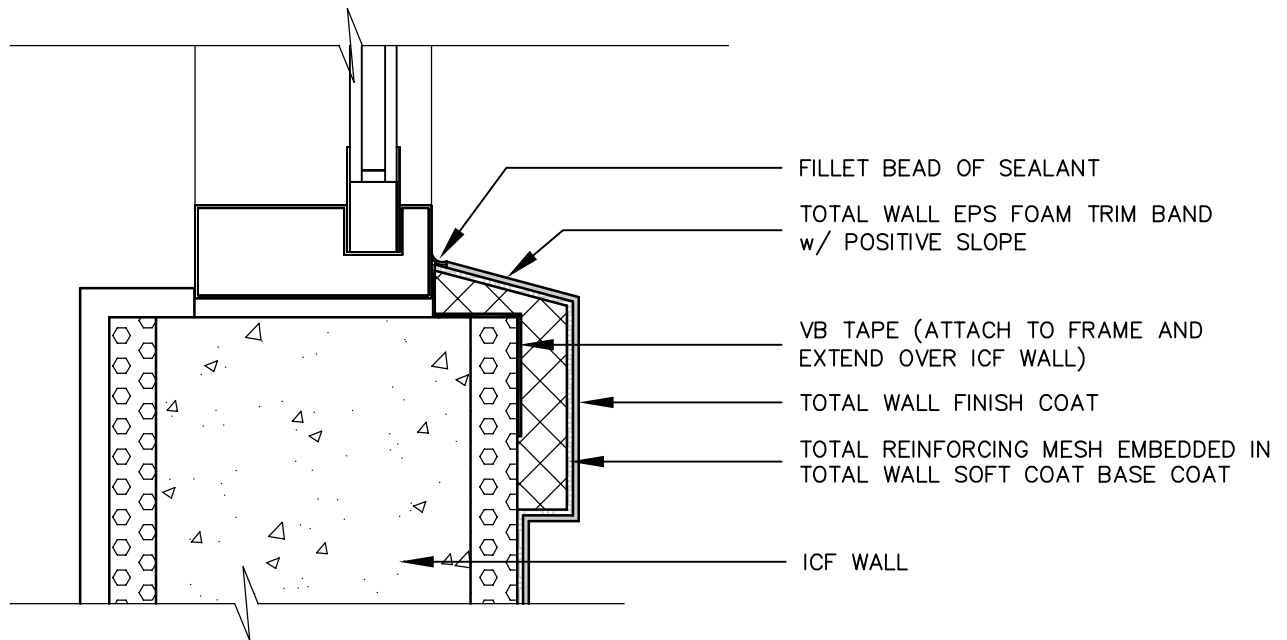


TDICF-04.1 TYPICAL WINDOW SILL (FLUSH)

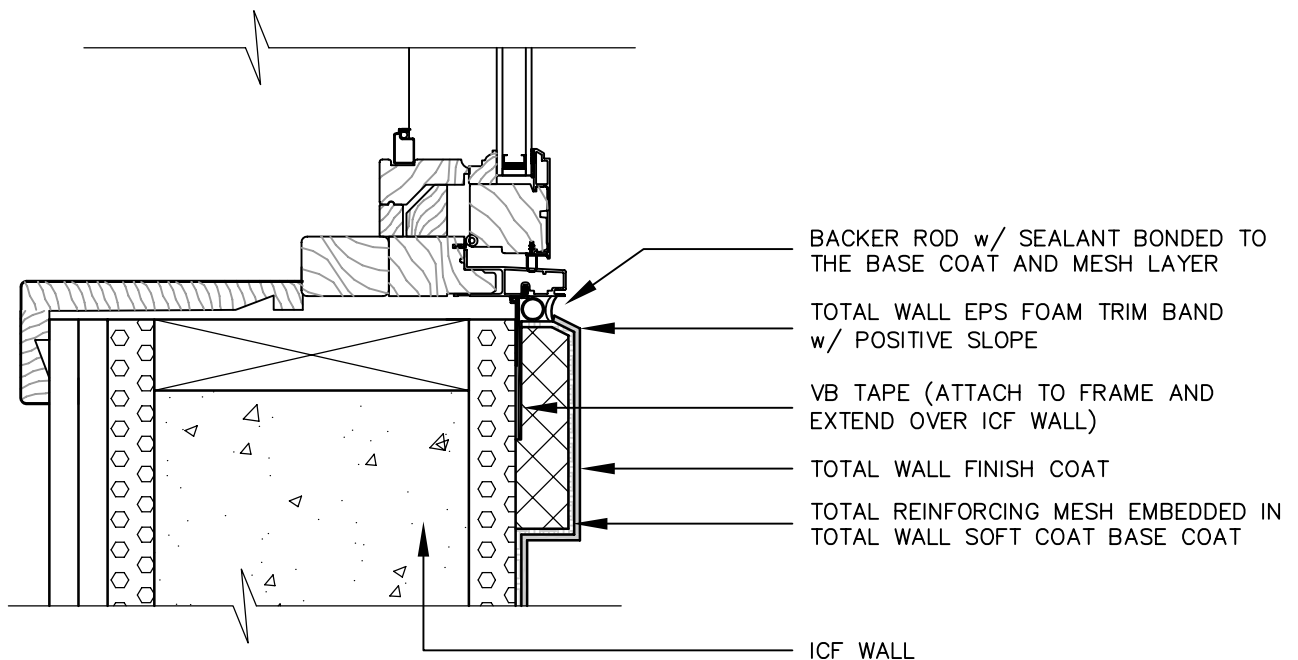
TOTAL WALL

America's EIFS And Stucco Company!

TOTAL DIRECT ICF ICF Coating System



TDICF-04.2 TYPICAL WINDOW SILL (RECESSED)

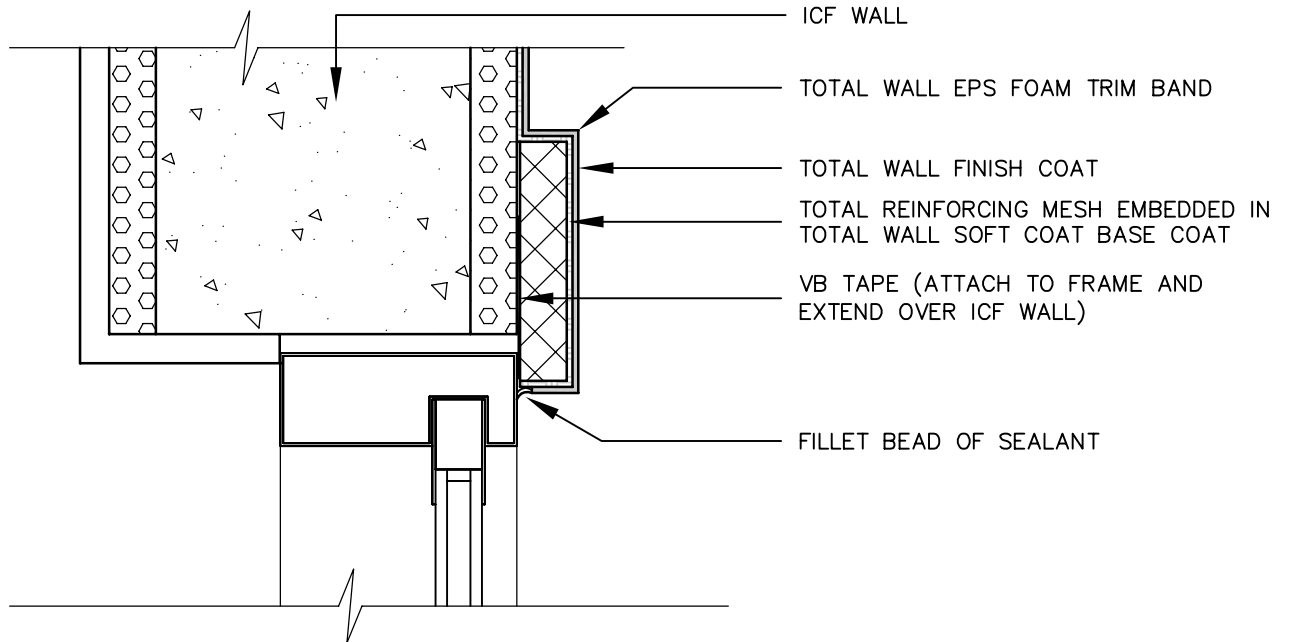


TDICF-04.3 TYPICAL WINDOW SILL (FLUSH)

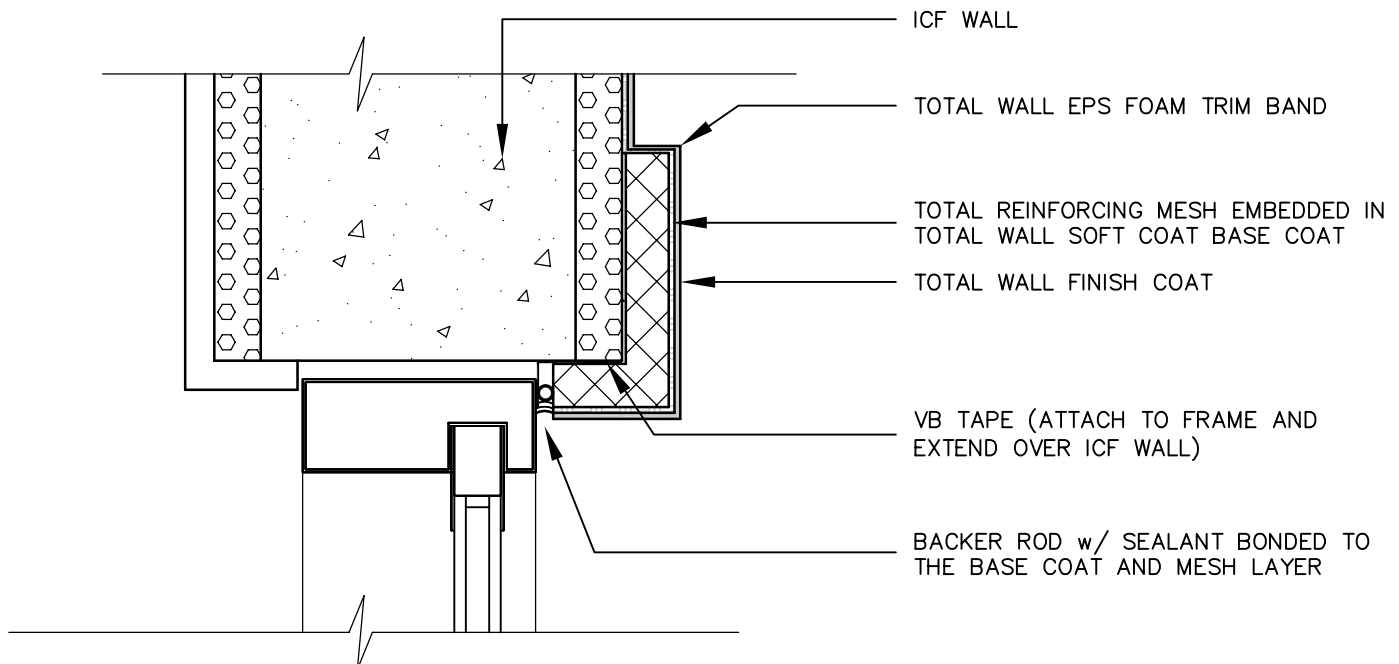
TOTAL WALL

America's EIFS And Stucco Company!

TOTAL DIRECT ICF ICF Coating System



TDICF-05.1 TYPICAL WINDOW/DOOR JAMB (FLUSH) - TOP VIEW

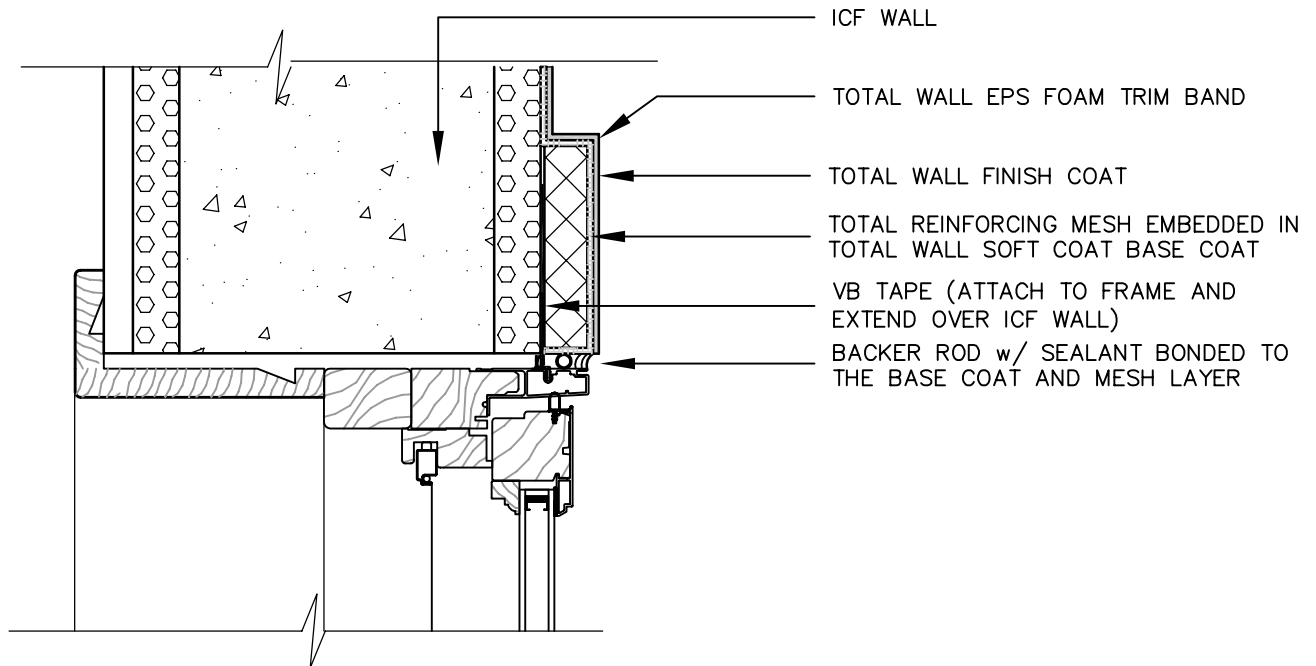


TDICF-05.2 TYPICAL WINDOW/DOOR JAMB (RECESSED) - TOP VIEW

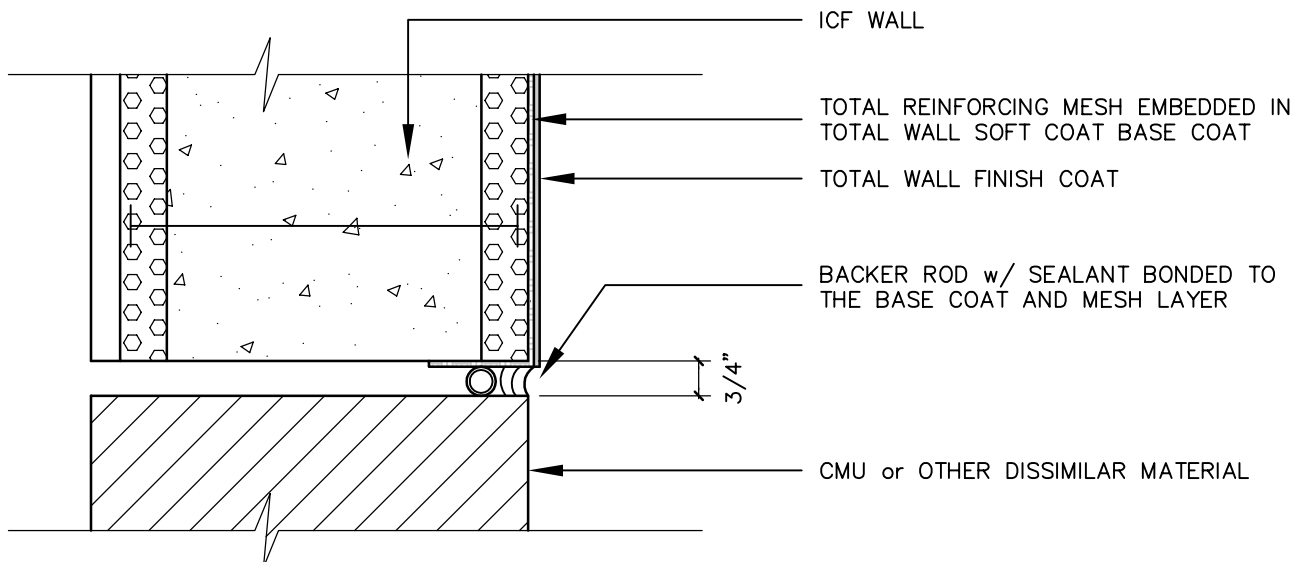
TOTAL WALL

America's EIFS And Stucco Company!

TOTAL DIRECT ICF ICF Coating System



TDICF-5.3 TYPICAL WINDOW/DOOR JAMB (FLUSH) - TOP VIEW

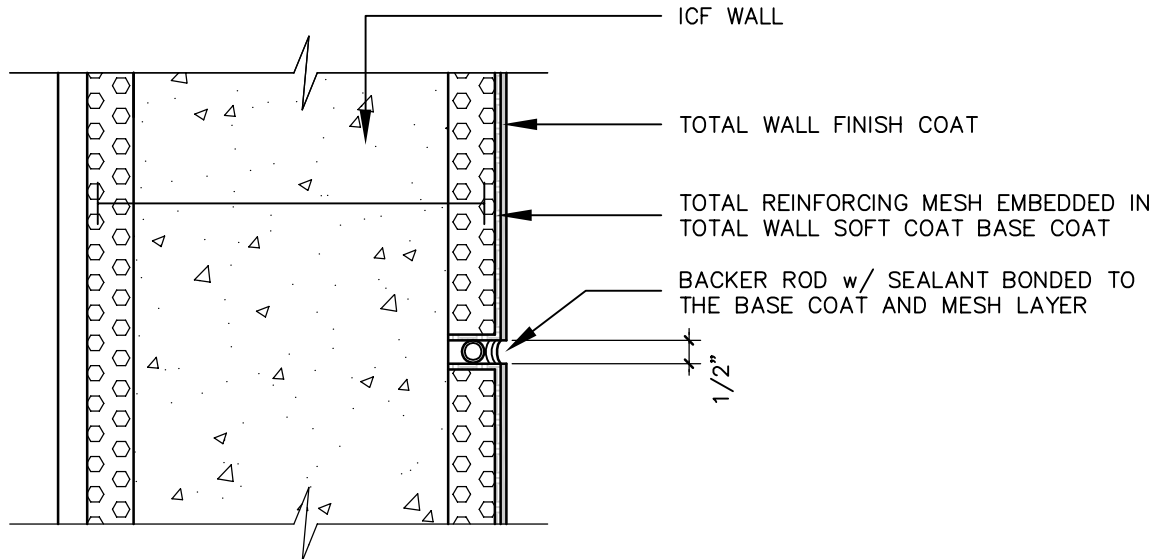


TDICF-6.1 TYPICAL EXPANSION JOINT

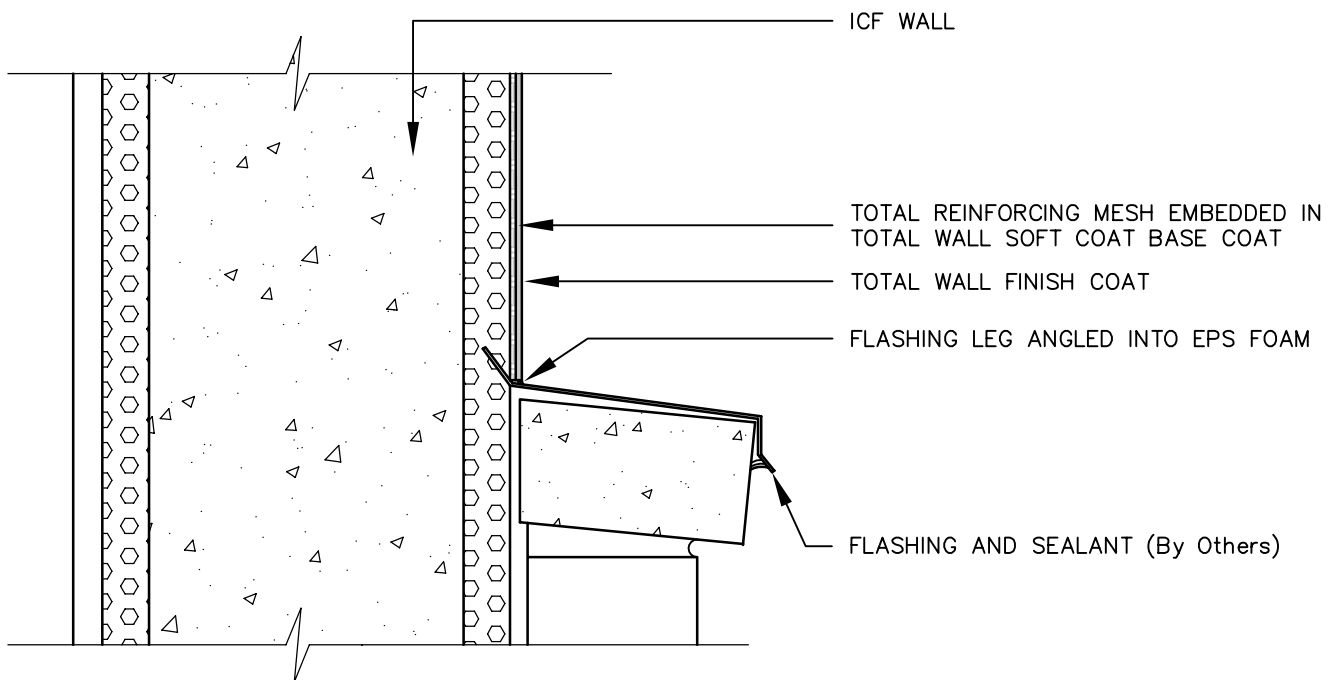
TOTAL WALL

America's EIFS And Stucco Company!

TOTAL DIRECT ICF ICF Coating System



TDICF-06.2 TYPICAL CONTROL JOINT

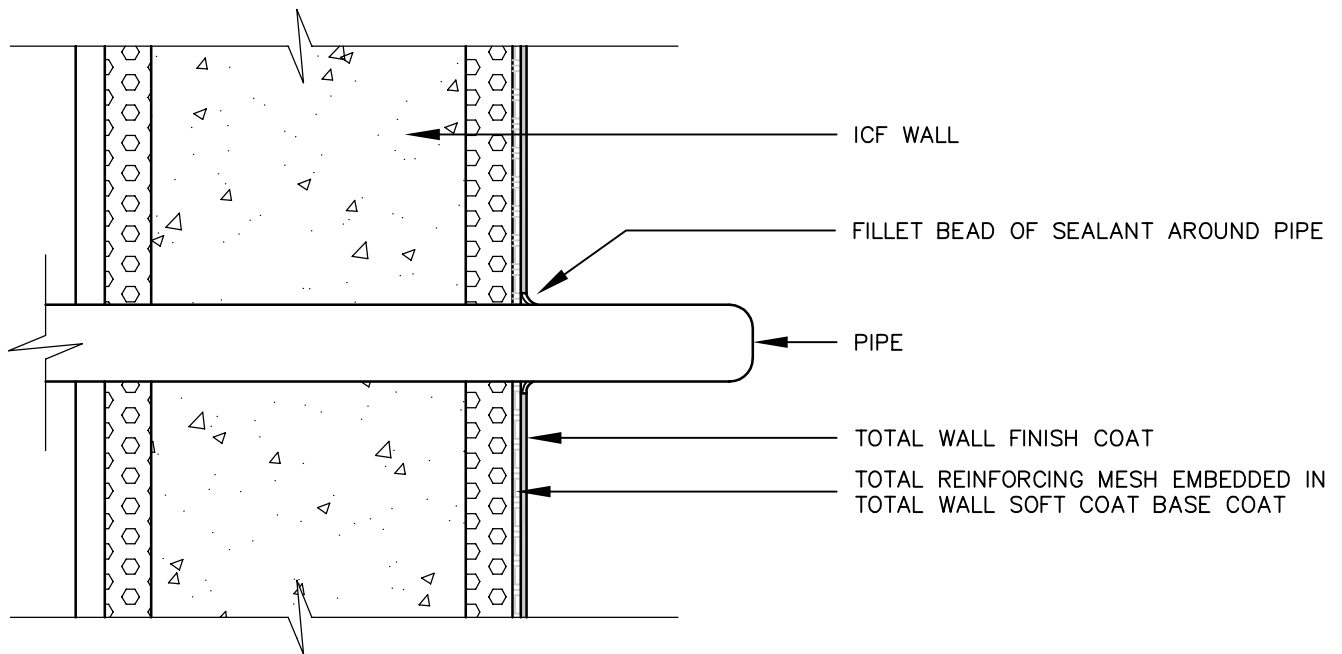


TDICF-08 TYPICAL STUCCO @ MASONRY SILL

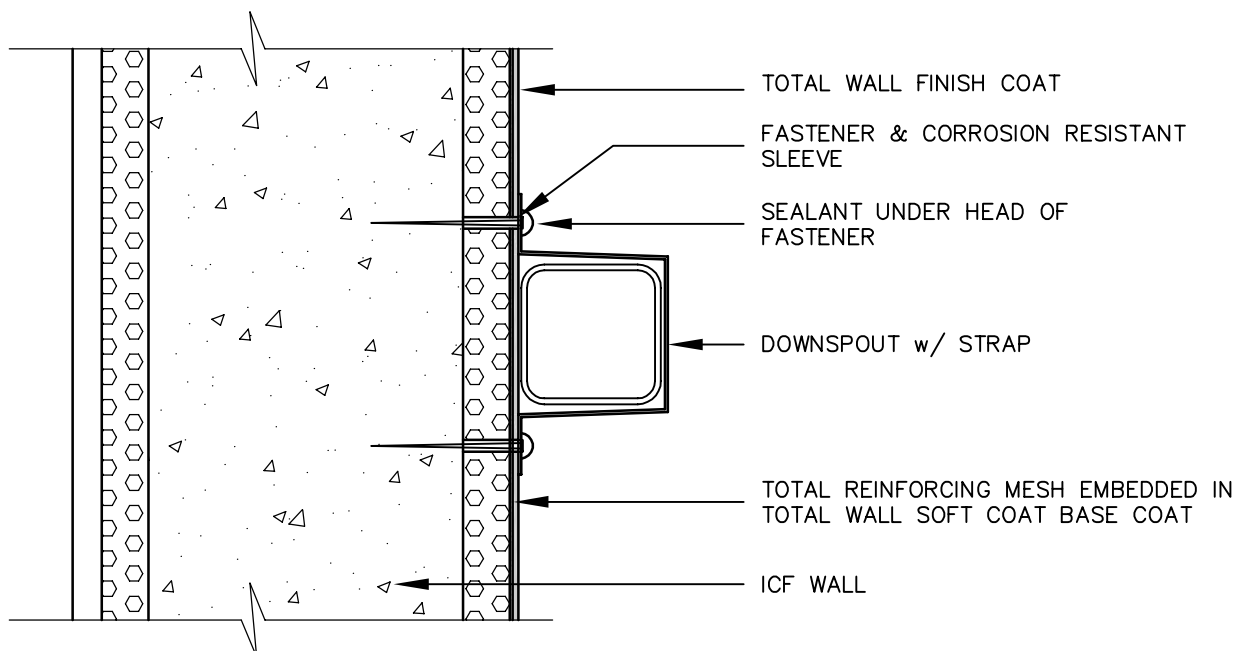
TOTAL WALL

America's EIFS And Stucco Company!

TOTAL DIRECT ICF ICF Coating System



TDICF-09 TYPICAL PIPE PENETRATION



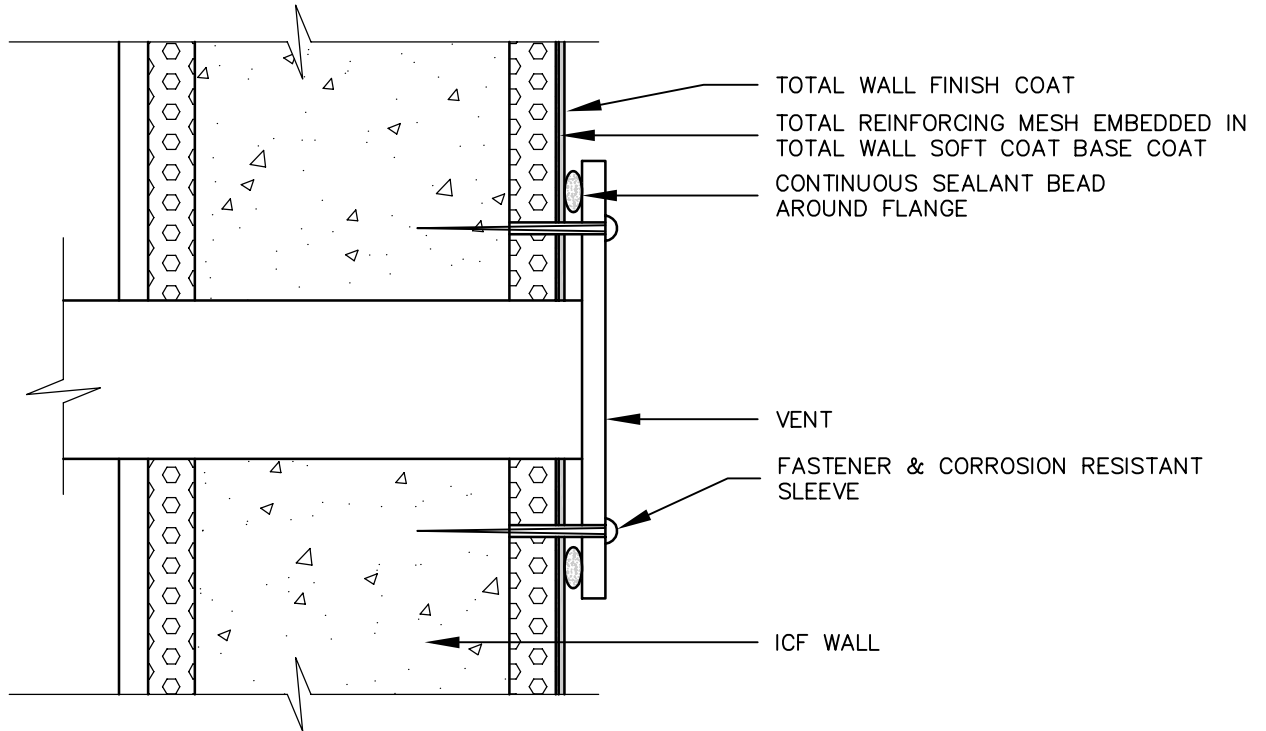
TDICF-10 TYPICAL DOWNSPOUT ATTACHMENT

TOTAL WALL

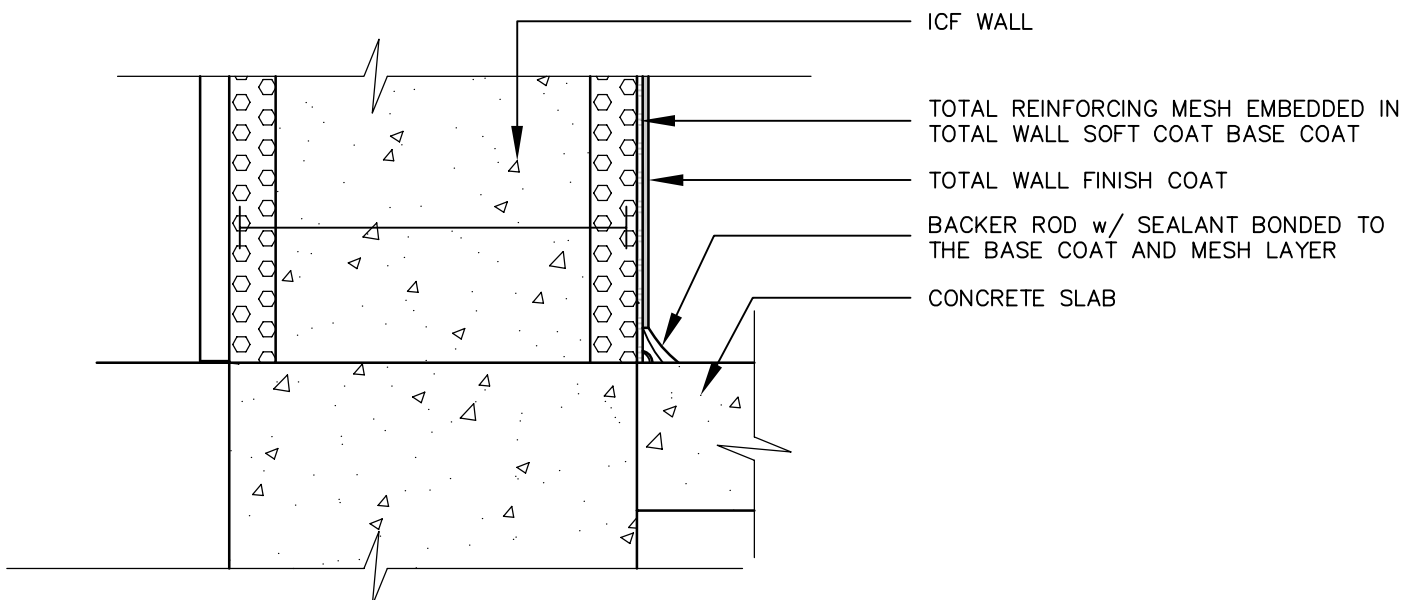
America's EIFS And Stucco Company!

TOTAL DIRECT ICF

ICF Coating System



TDICF-11 TYPICAL VENT ATTACHMENT



TDICF-13 TYPICAL GRADE TERMINATION DETAIL

TOTAL WALL

America's EIFS And Stucco Company!

TOTAL DIRECT ICF ICF Coating System

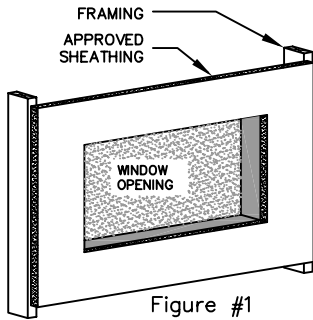


Figure #1

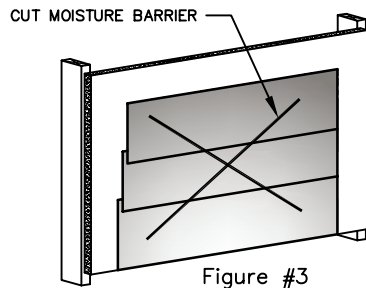


Figure #3

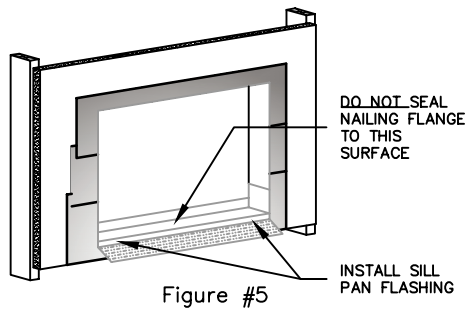


Figure #5

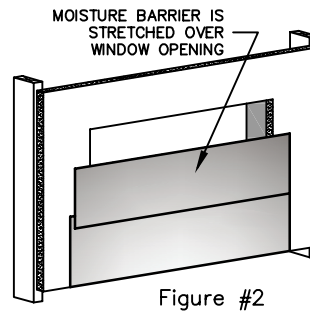
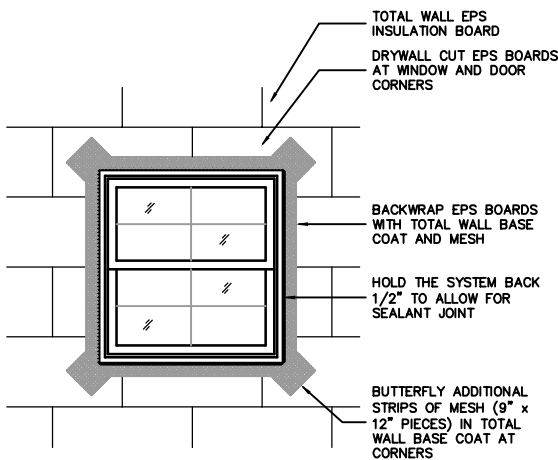


Figure #2

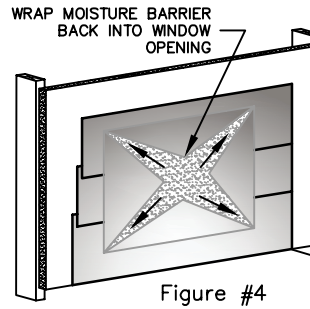


Figure #4

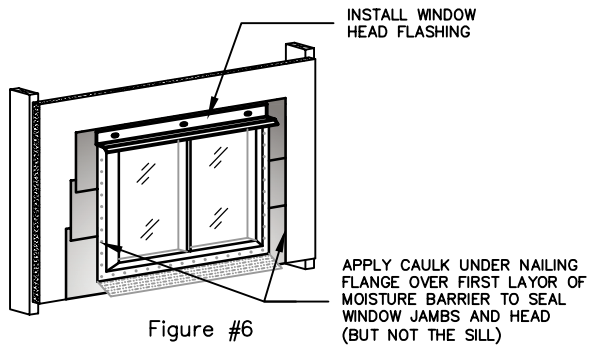


Figure #6

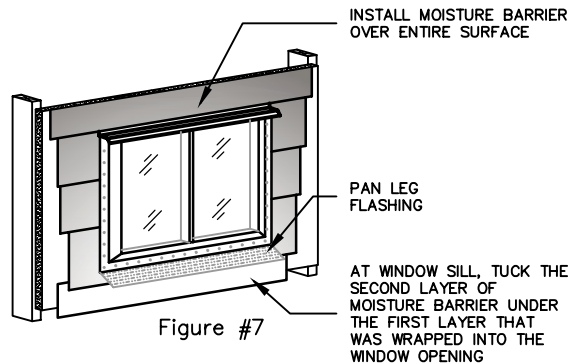


Figure #7

TDICF-14 TYPICAL WINDOW OPENING PREPARATION