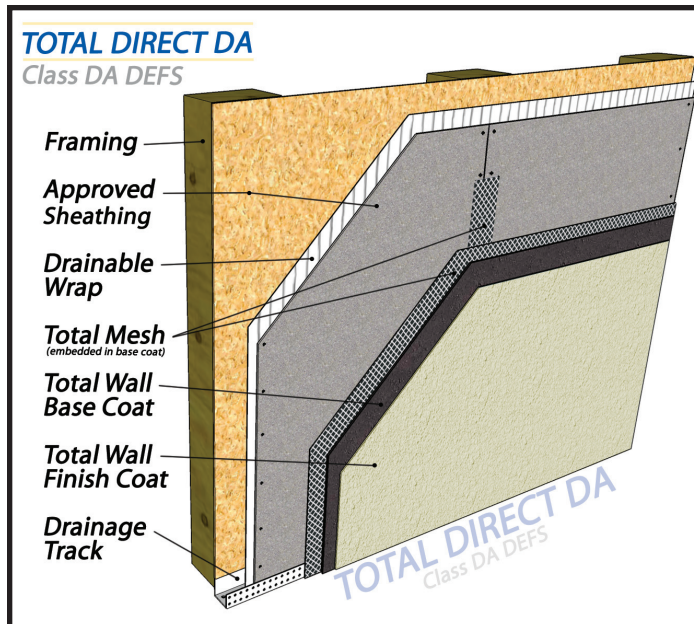


TOTAL DIRECT DA

□ Section 09220 □
Masterformat 2004 09-24-23

Direct Applied DEFS System

AMERICA'S EIFS AND STUCCO COMPANY!



Total Direct DA is the fastest and most economical way to obtain drainable hard coat stucco performance with the ease of application of sheathing plus a thin-coat resilient lamina. Total Direct DA does not use a rigid foam insulation, so the system remains breathable and also retains high impact resistance from the sheathing.

Available in unlimited colors and a variety of textures, Total Direct DA provides a durable and impact resistant hard coat performance with the look and feel of natural masonry. Total Direct DA can be used on both exterior and interior walls, as well as soffit, portico and overhang ceiling areas. This system is ideal for any frame construction or masonry structure where a natural masonry look is desired along with an option for architectural enhancements, such as quoins, trim bands, reveals and arches.

- **Energy Efficiency:** Typical R5 per inch.
- **Substrates:** Any exterior frame and sheathing or masonry.
- **Design Elements:** Requires use of control joints beyond 50 lineal feet of wall, includes moisture barrier and designed drainage plane, can employ reveals and trims, medium-high impact resistance .
- **Sustainability:** Low VOC & toxicity, employs recycle content

Detail Directory

| | | |
|--------------------------------------|-----------|-------|
| Typical Total Direct DA System - Iso | TDDA-01 | Pg 1 |
| Typical Total Direct DA System -Top | TDDA-02 | Pg 1 |
| Typical Window/Door Head (Flush) | TDDA-03.1 | Pg 2 |
| Typical Window/Door Head (Recessed) | TDDA-03.2 | Pg 2 |
| Typical Window/Door Head (Flush) | TDDA-03.3 | Pg 3 |
| Typical Window/Sill (Flush) | TDDA-04.1 | Pg 3 |
| Typical Window Sill (Recessed) | TDDA-04.2 | Pg 4 |
| Typical Window Sill (Flush) | TDDA-04.3 | Pg 4 |
| Typical Window/Door Jamb (Flush) | TDDA-05.1 | Pg 5 |
| Typical Window/Door Jamb (Recessed) | TDDA-05.2 | Pg 5 |
| Typical Window/Door Jamb (Flush) | TDDA-05.3 | Pg 6 |
| Typical Expansion Joint | TDDA-06 | Pg 6 |
| Typical DEFS @ Masonry | TDDA-08.1 | Pg 7 |
| Typical DEFS @ Masonry | TDDA-08.2 | Pg 7 |
| Typical Pipe Penetration | TDDA-09 | Pg 8 |
| Typical Downspout Attachment | TDDA-10 | Pg 8 |
| Typical Vent Attachment | TDDA-11 | Pg 9 |
| Typical Kickout Flashing | TDDA-12 | Pg 10 |
| Typical Window Opening Preparation | TDDA-13 | Pg 11 |

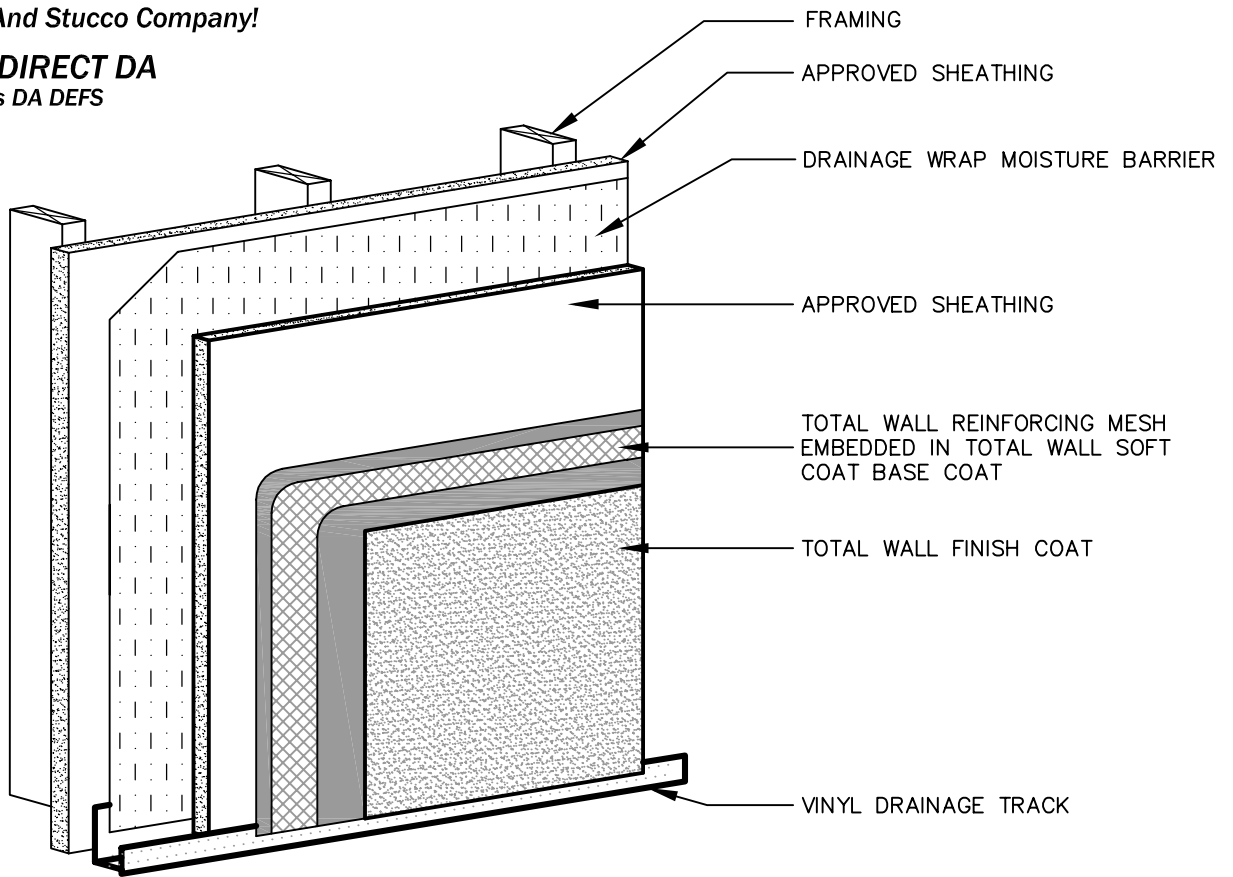
TOTAL WALL
AMERICA'S EIFS AND STUCCO COMPANY!

Ph 888.702.9915 Fax 888.702.9916 totalwall.com

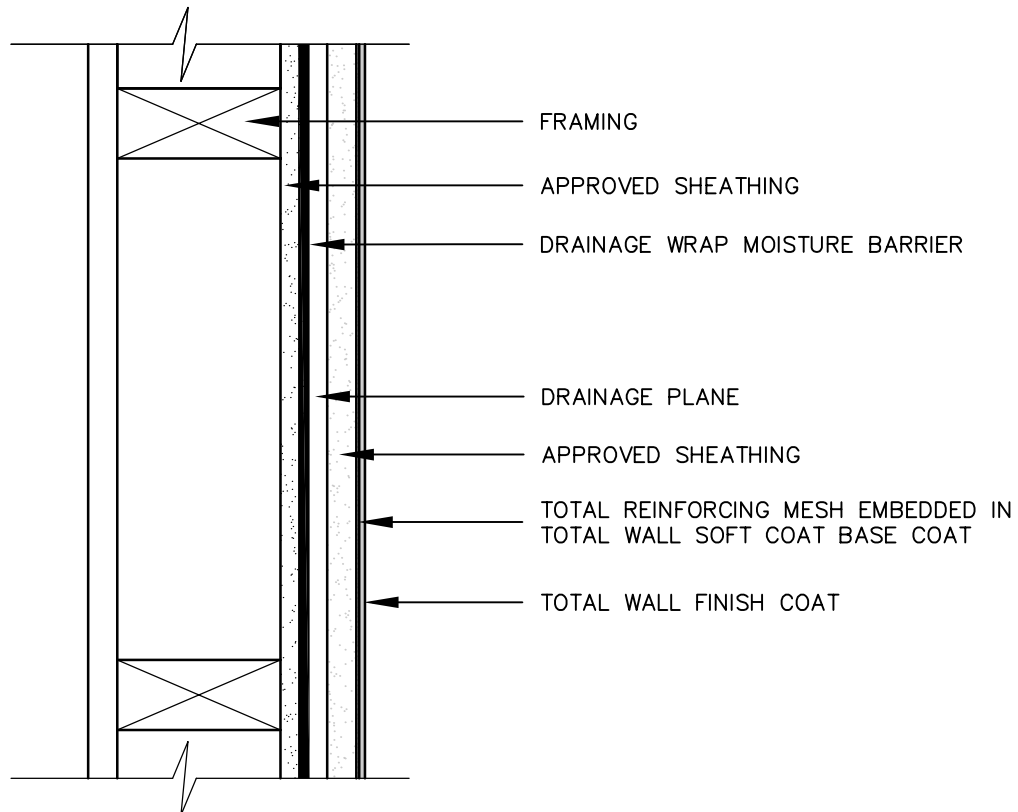
TOTAL WALL

America's EIFS And Stucco Company!

TOTAL DIRECT DA Class DA DEFS



TDDA-01 TYPICAL TOTAL DIRECT APPLIED DEFS - ISOMETRIC

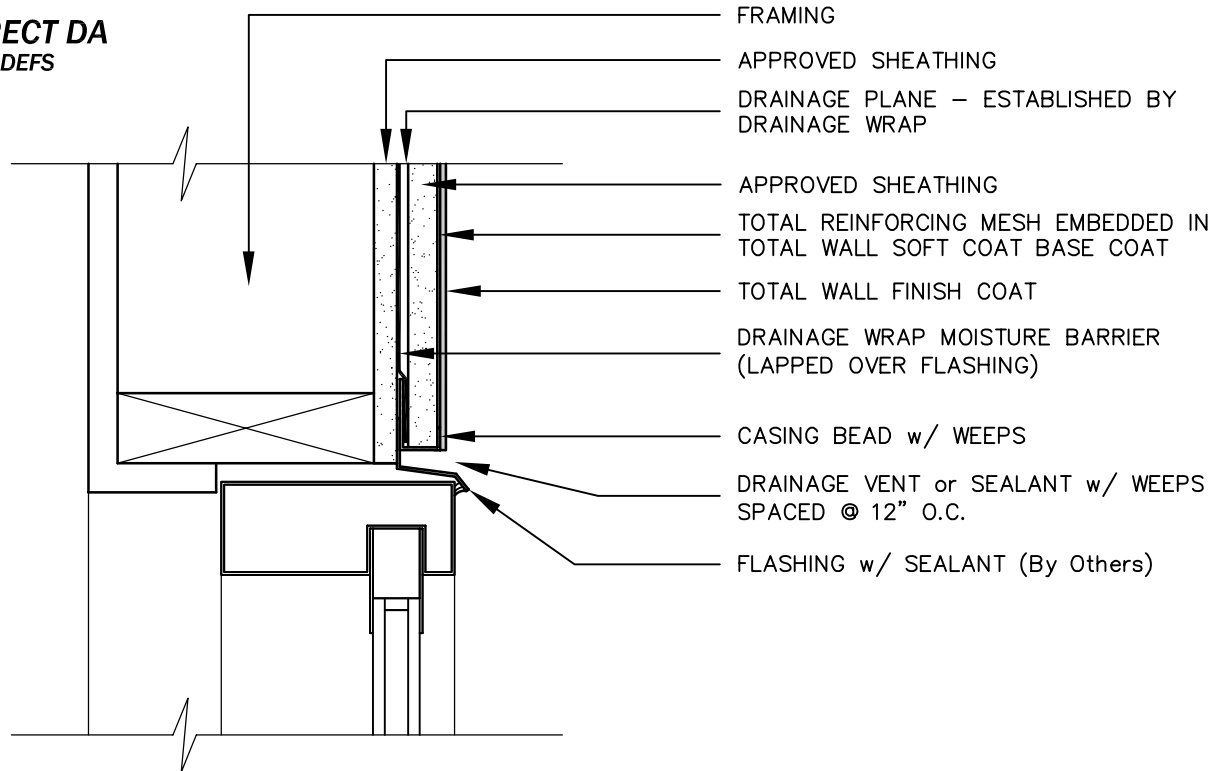


TDDA-02 TYPICAL TOTAL DIRECT APPLIED DEFS - PLAN VIEW

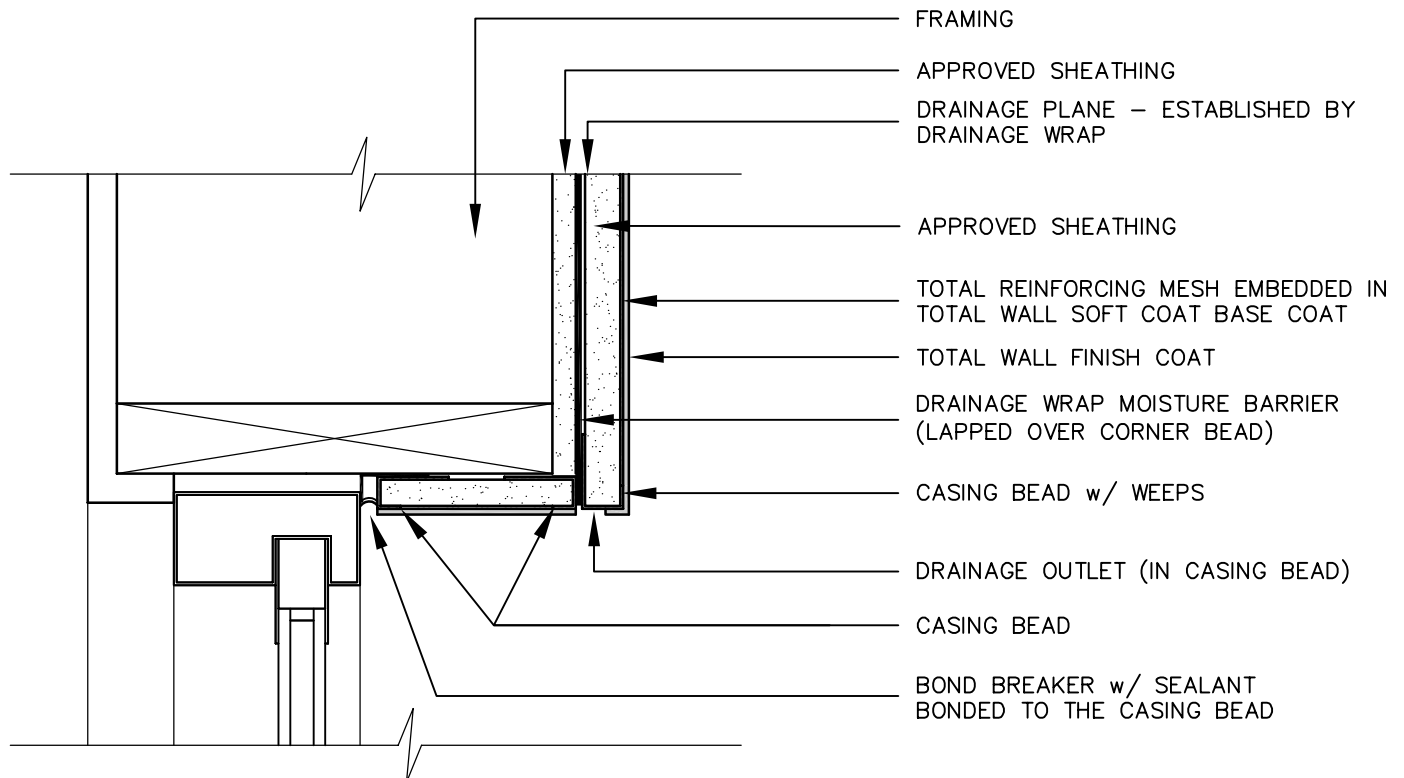
TOTAL WALL

America's EIFS And Stucco Company!

TOTAL DIRECT DA Class DA DEFS



TDDA-03.1 TYPICAL WINDOW/DOOR HEAD (FLUSH)



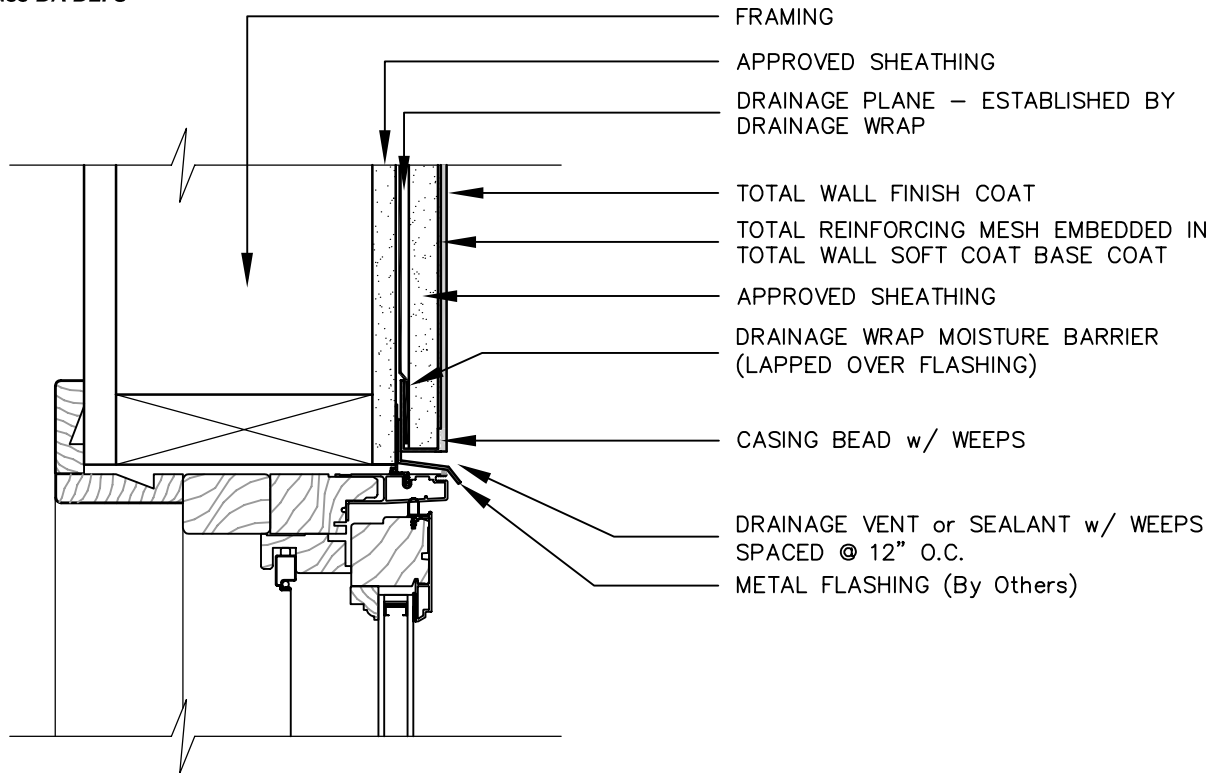
TDDA-03.2 TYPICAL WINDOW/DOOR HEAD (RECESSED)

TOTAL WALL

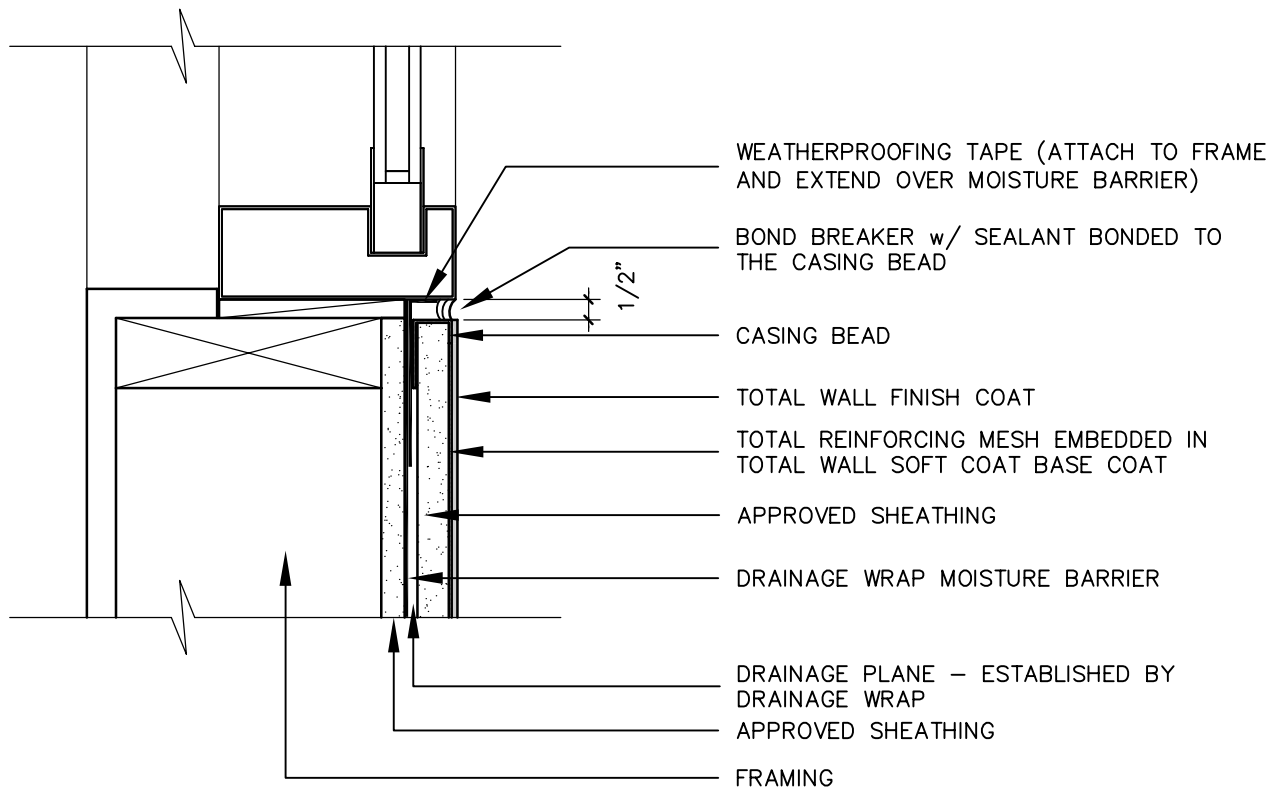
America's EIFS And Stucco Company!

TOTAL DIRECT DA

Class DA DEFS



TDDA-03.3 TYPICAL WINDOW/DOOR HEAD (FLUSH)



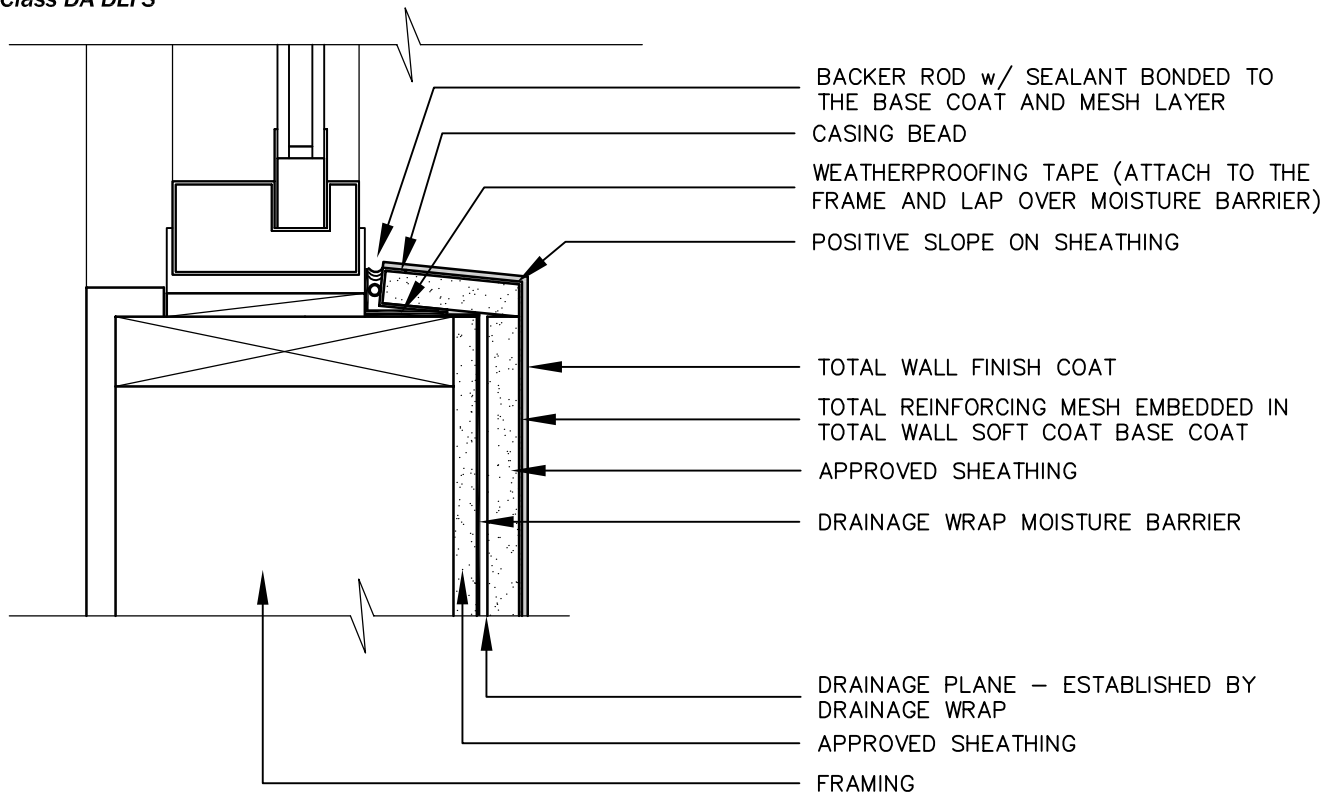
TDDA-04.1 TYPICAL WINDOW SILL (FLUSH)

TOTAL WALL

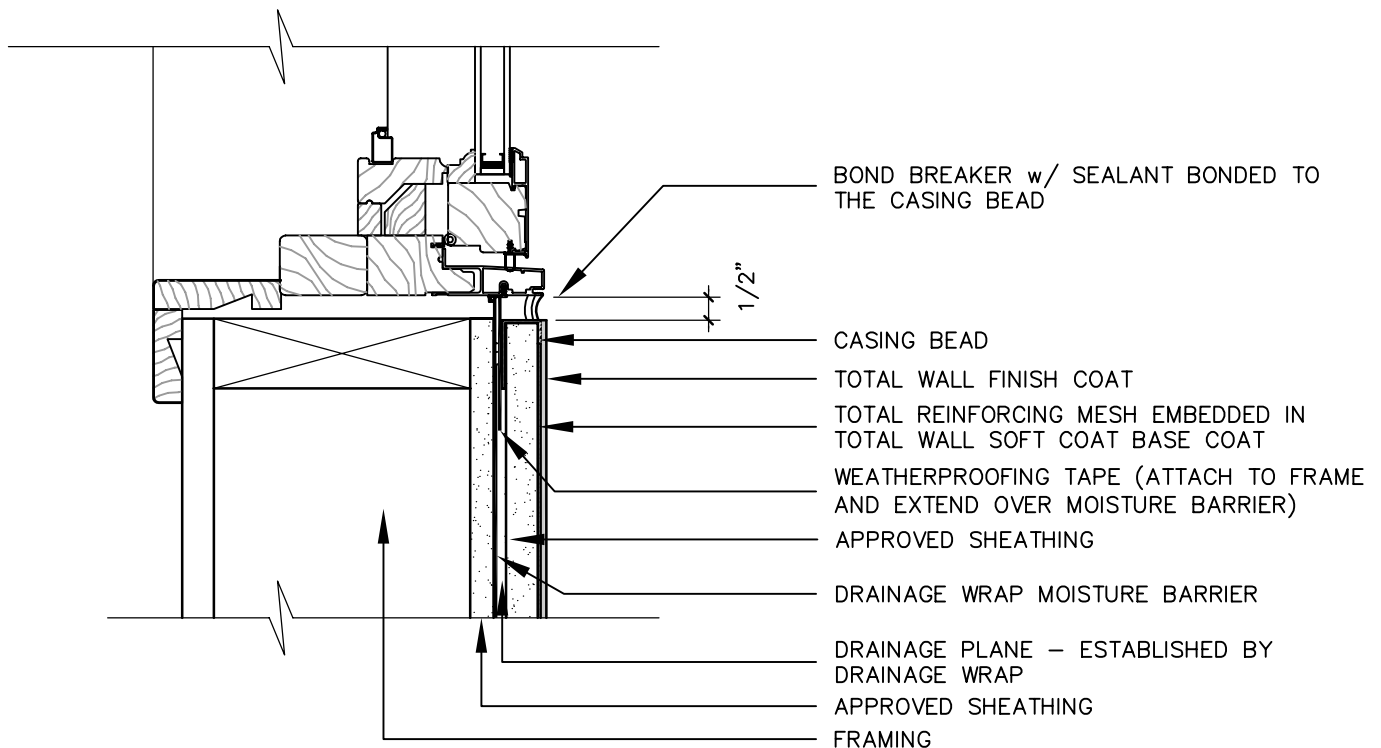
America's EIFS And Stucco Company!

TOTAL DIRECT DA

Class DA DEFS



TDDA-04.2 TYPICAL WINDOW SILL (RECESSED)

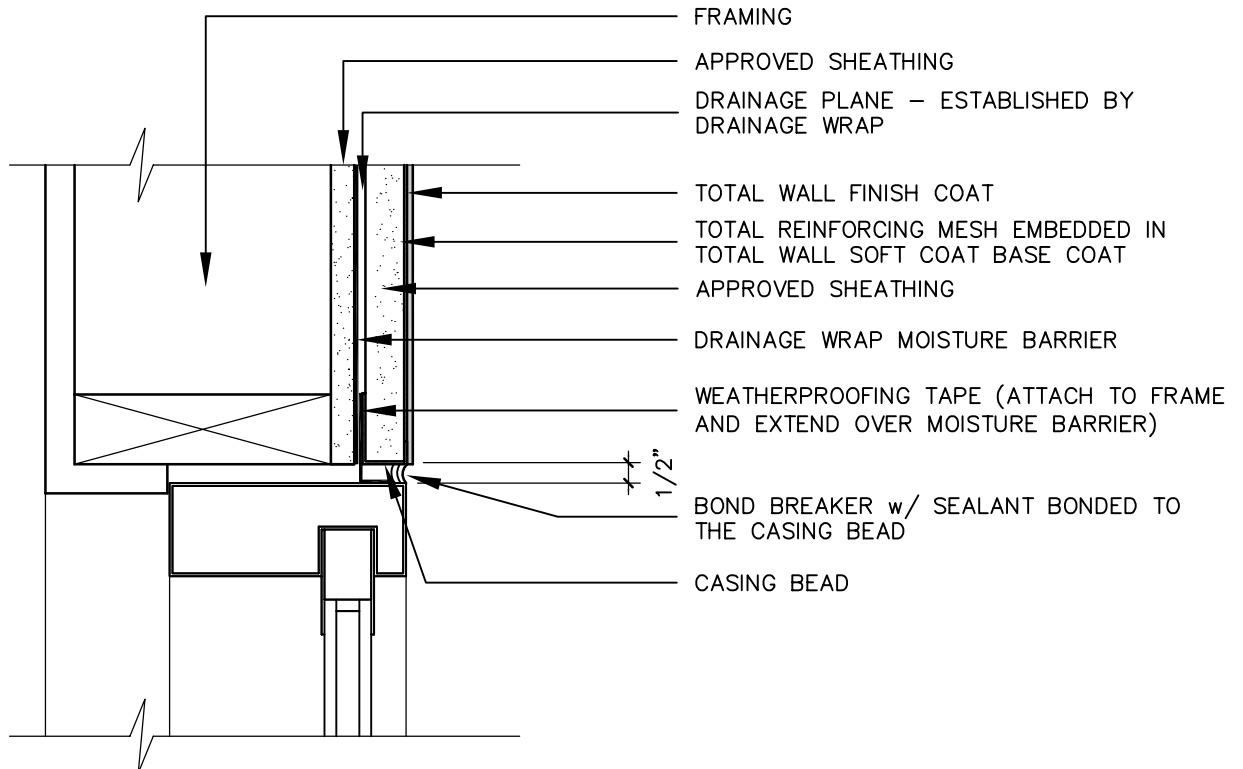


TDDA-04.3 TYPICAL WINDOW SILL (FLUSH)

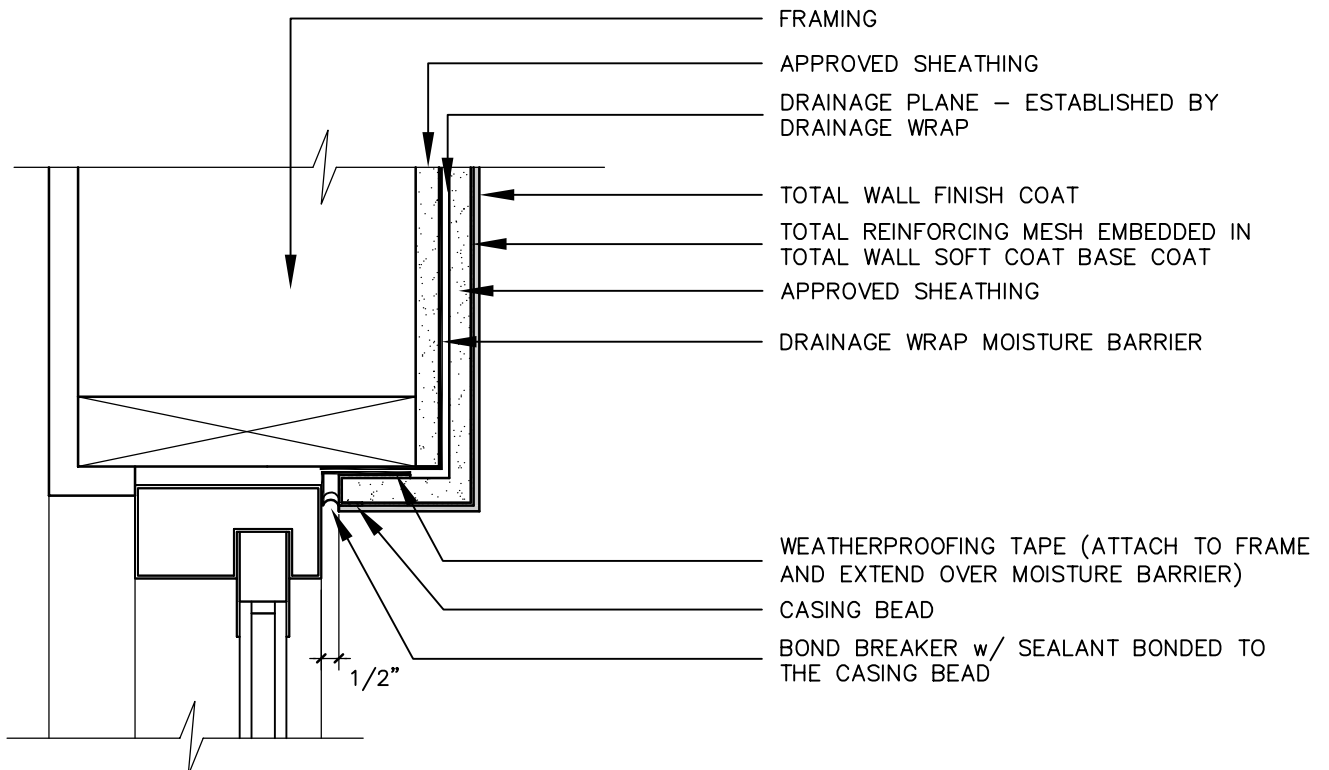
TOTAL WALL

America's EIFS And Stucco Company!

TOTAL DIRECT DA Class DA DEFS



TDDA-05.1 TYPICAL WINDOW/DOOR JAMB (FLUSH) - TOP VIEW

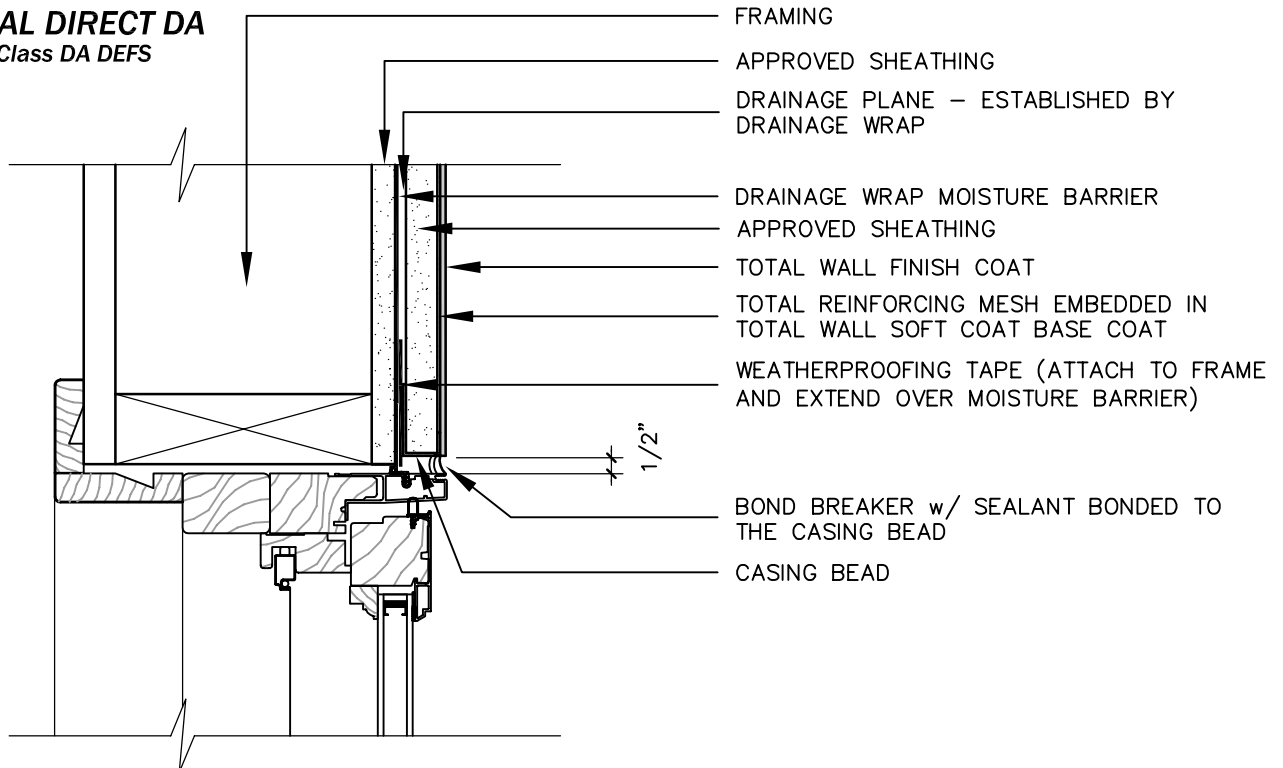


TDDA-05.2 TYPICAL WINDOW/DOOR JAMB (RECESSED) - TOP VIEW

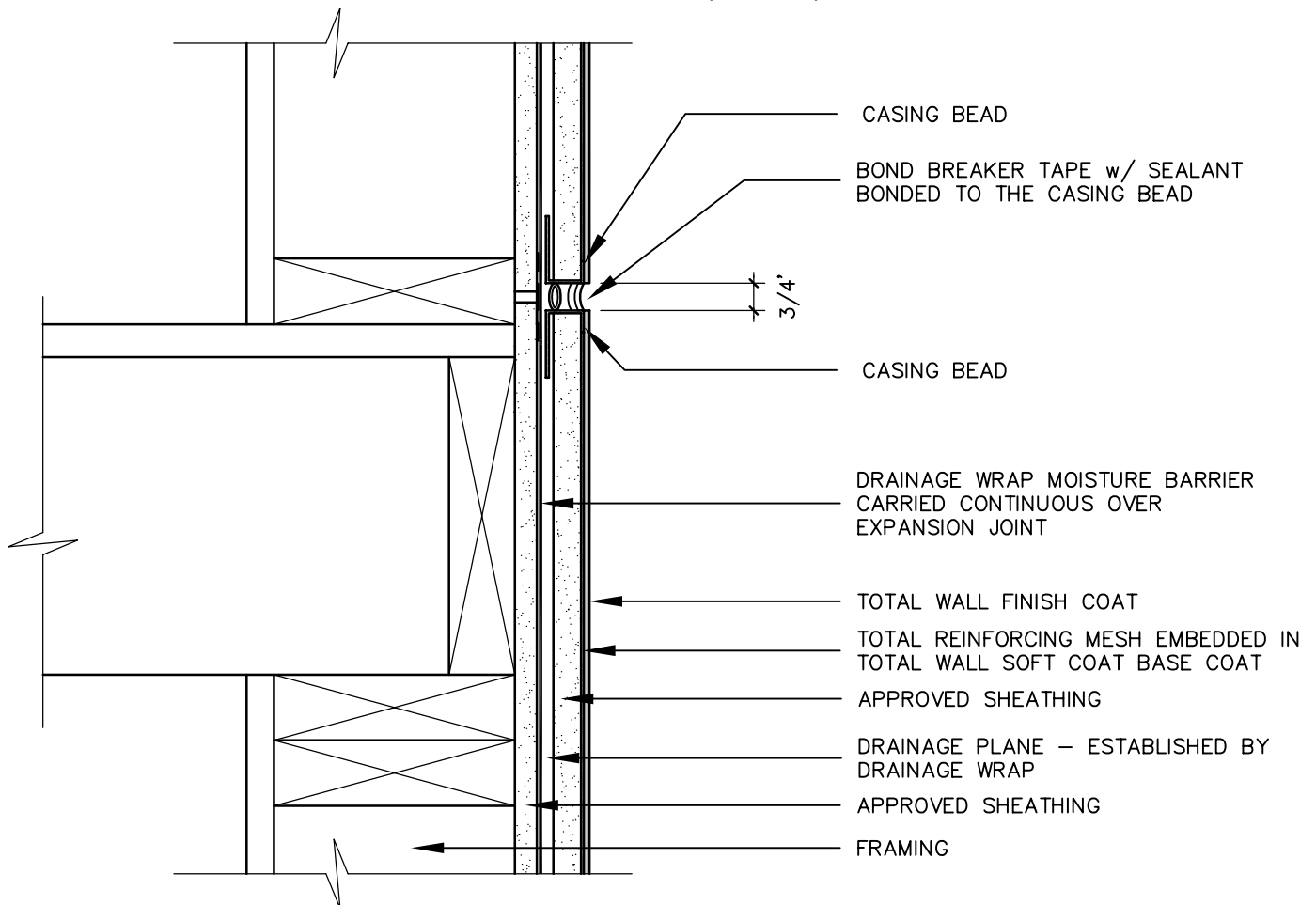
TOTAL WALL

America's EIFS And Stucco Company!

TOTAL DIRECT DA Class DA DEFS



TDDA-05.3 TYPICAL WINDOW/DOOR JAMB (FLUSH) - TOP VIEW

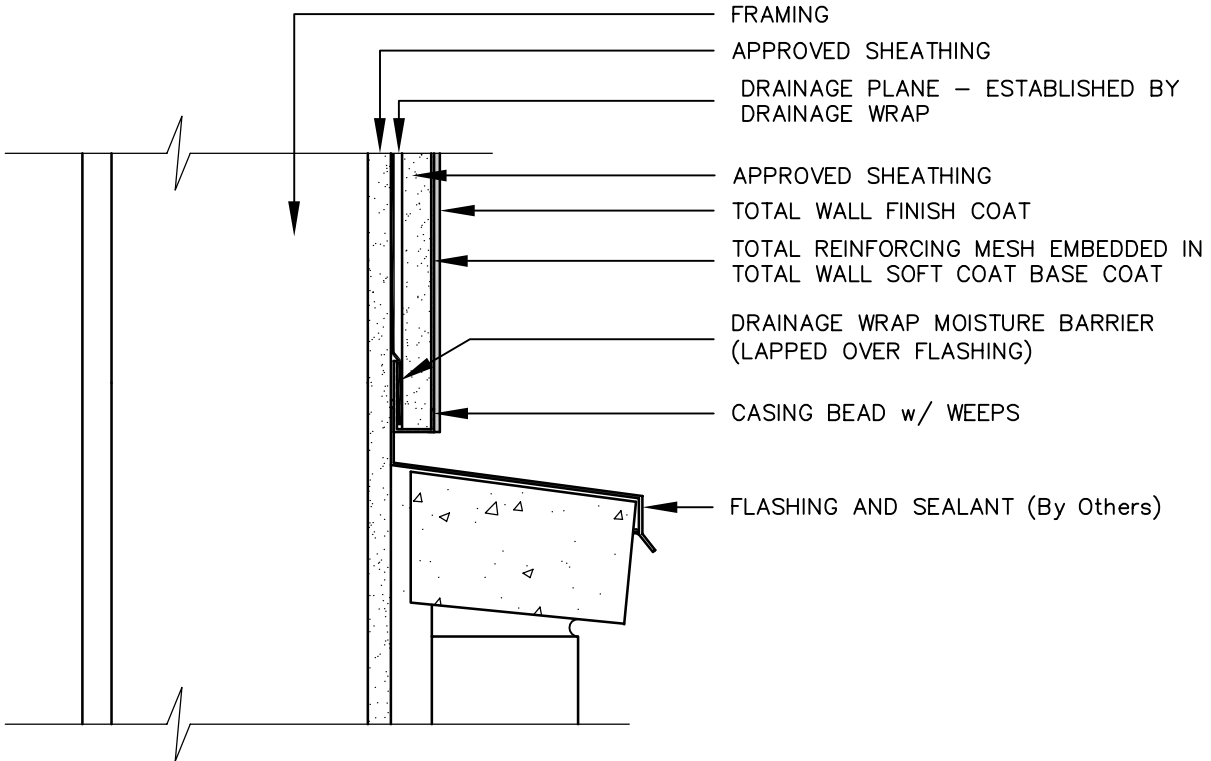


TDDA-06 TYPICAL EXPANSION JOINT

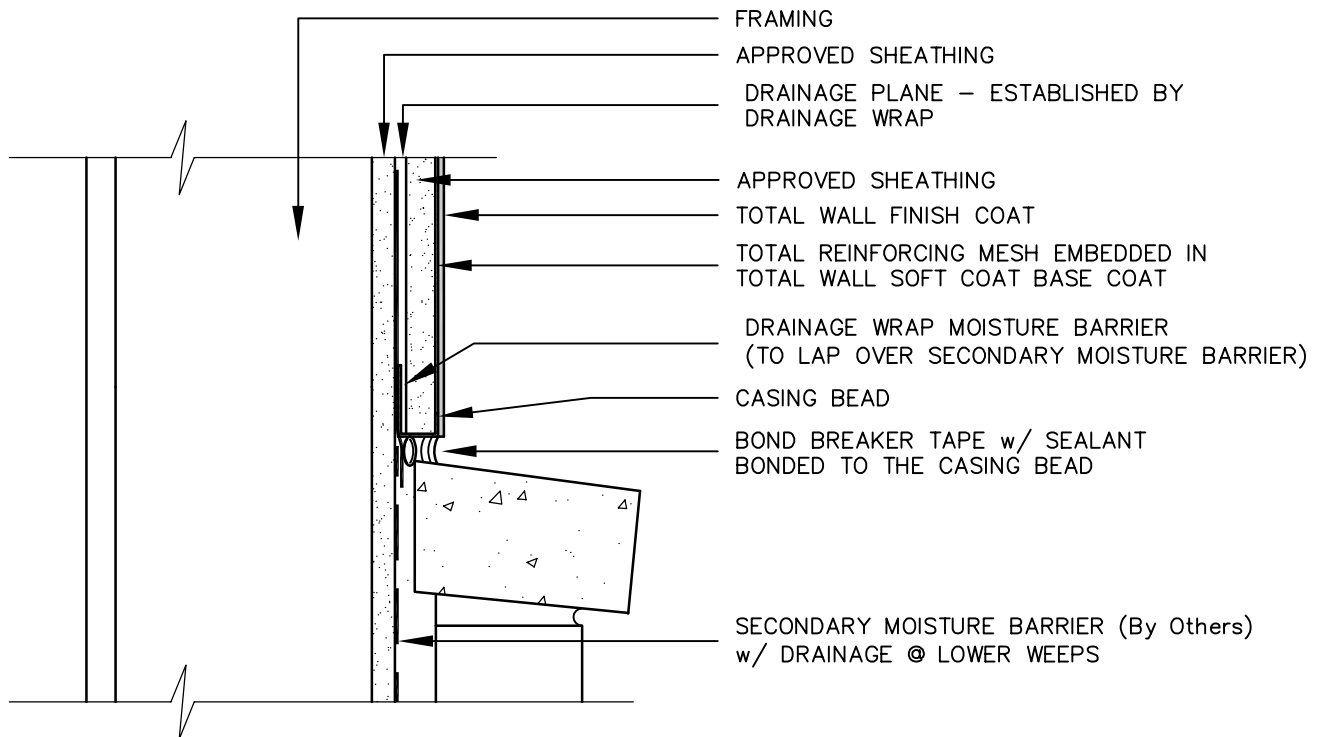
TOTAL WALL

America's EIFS And Stucco Company!

TOTAL DIRECT DA Class DA DEFS



TDDA-08.1 TYPICAL DEFS @ MASONRY SILL



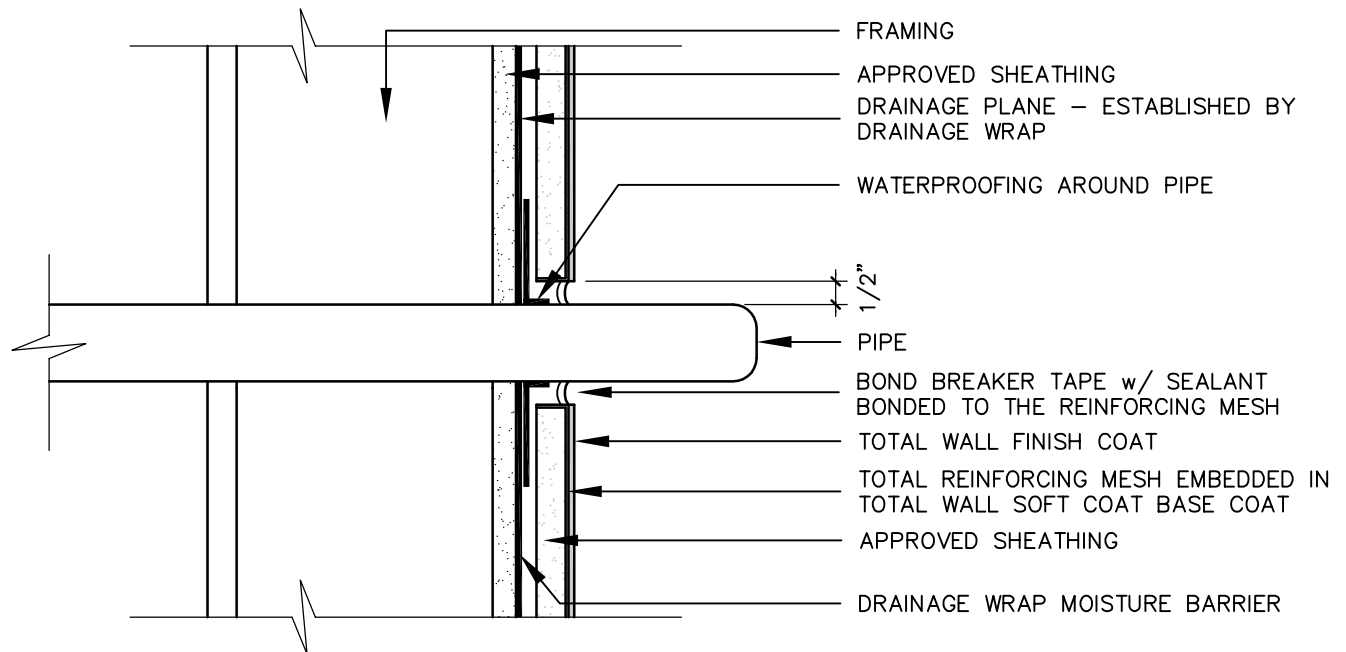
TDDA-08.2 TYPICAL DEFS @ MASONRY SILL

TOTAL WALL

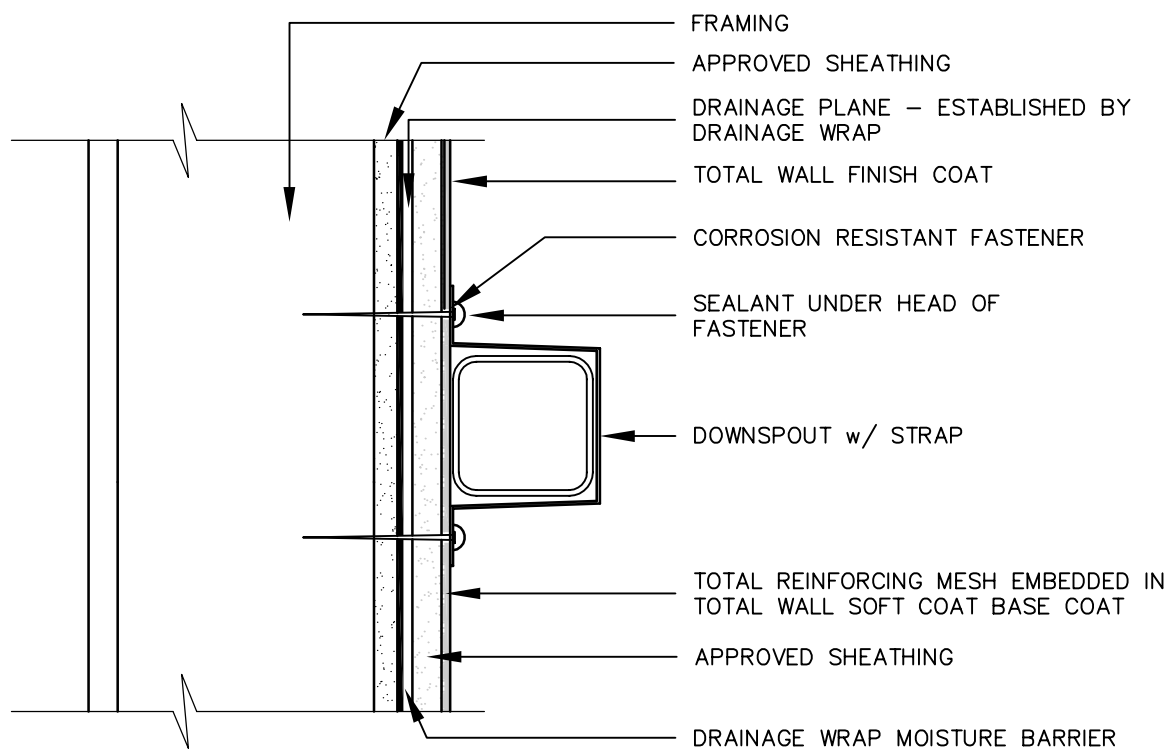
America's EIFS And Stucco Company!

TOTAL DIRECT DA

Class DA DEFS



TDDA-9 TYPICAL PIPE PENETRATION



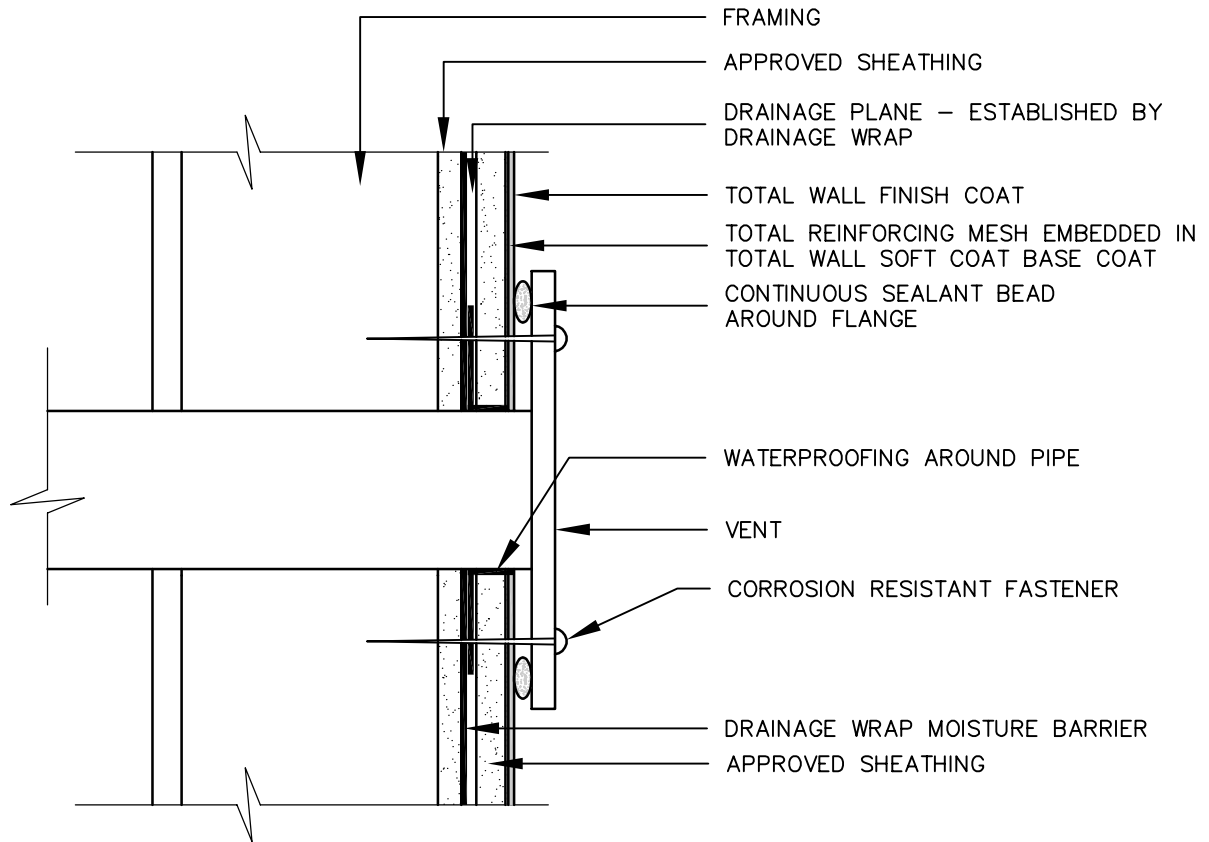
TDDA-10 TYPICAL DOWNSPOUT ATTACHMENT

TOTAL WALL!

America's EIFS And Stucco Company!

TOTAL DIRECT DA

Class DA DEFS



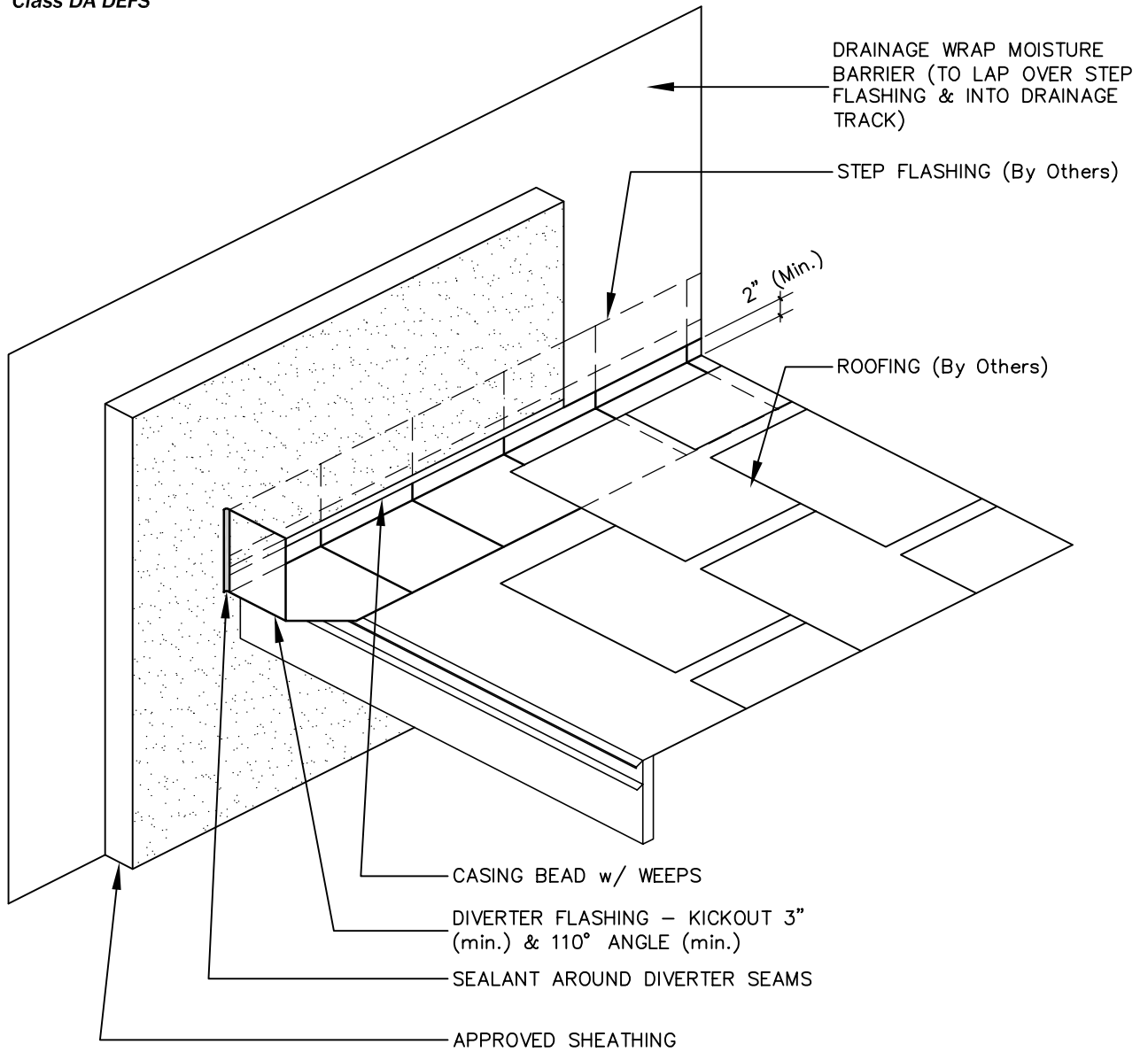
TDDA-11 TYPICAL VENT ATTACHMENT

TOTAL WALL

America's EIFS And Stucco Company!

TOTAL DIRECT DA

Class DA DEFS



TDDA-12 TYPICAL KICK-OUT FLASHING

TOTAL WALL

America's EIFS And Stucco Company!

TOTAL DIRECT DA Class DA DEFS

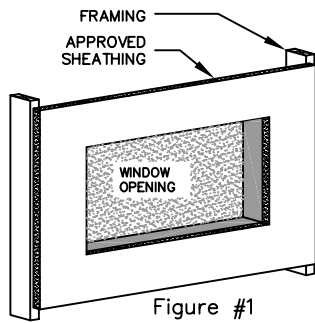


Figure #1

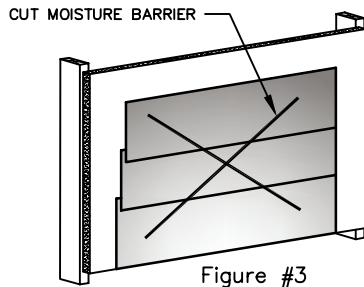


Figure #3

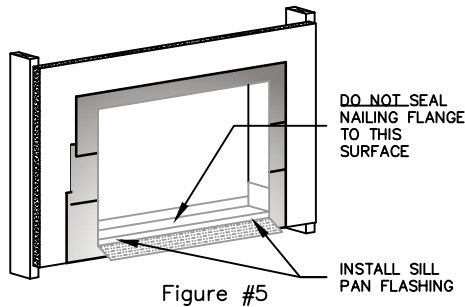


Figure #5

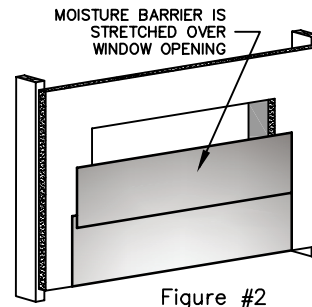
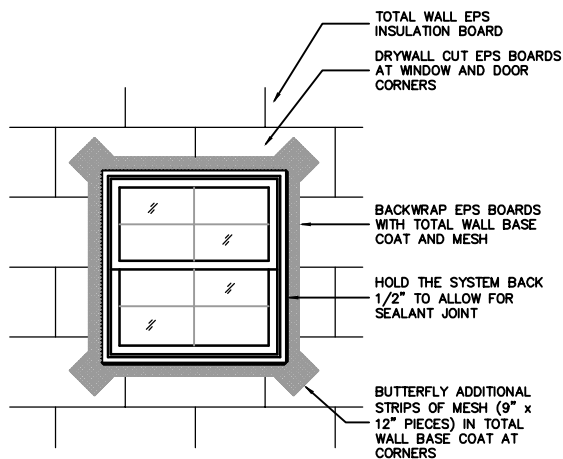


Figure #2

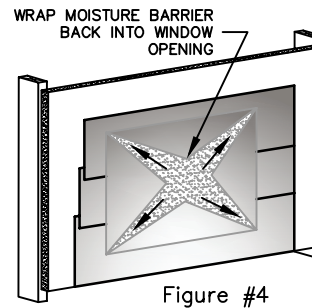


Figure #4

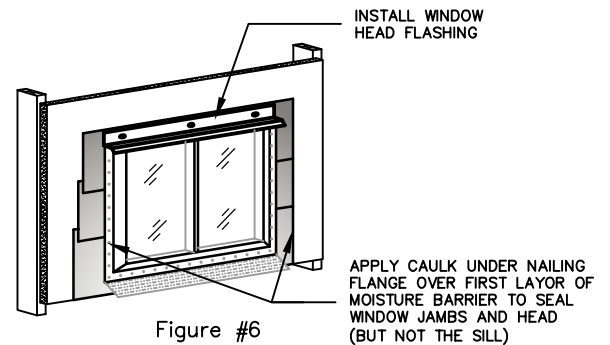


Figure #6

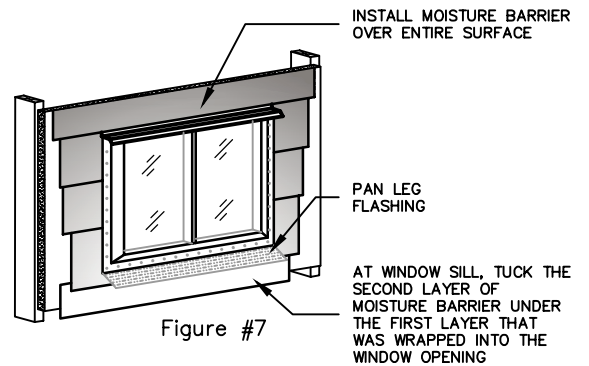


Figure #7

TDDA-13 TYPICAL WINDOW OPENING PREPARATION