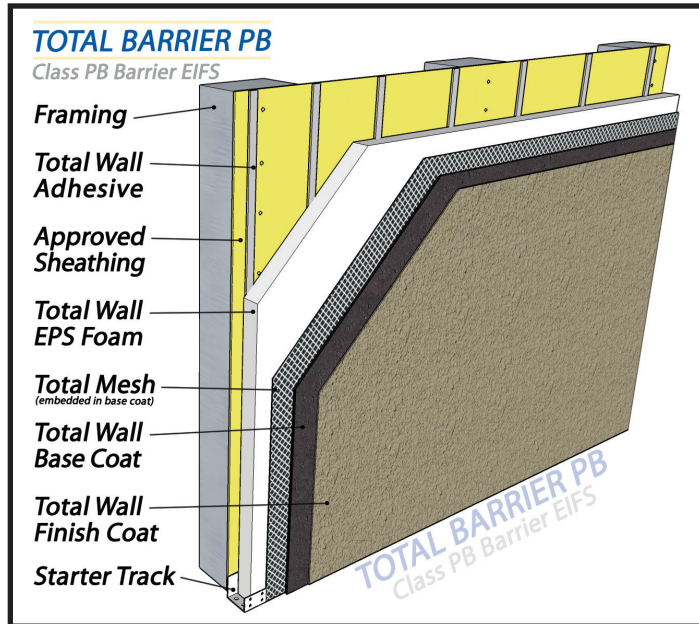


TOTAL BARRIER PB

□ **Section 07240** □
Masterformat 2004 07-24-13

Class PB Barrier EIFS

AMERICA'S EIFS AND STUCCO COMPANY!



A face-sealed or barrier class of EIFS that is utilized over non-moisture sensitive substrates and wall systems. The Total Barrier PB can be mechanically fastened or adhered to approved substrates.

Total Barrier PB can be used on any residential or commercial project with a non-moisture sensitive substrate that will benefit from energy savings and flexible system design.

- **Energy Efficiency:** R 2.85 to R 15.2 (3/4" to 4" thickness)
- **Substrates:** Siliconized-core gypsum sheathing or cement board on steel frame or masonry walls
- **Design Elements:** Requires no control joints, can employ reveals and trims, can correct minor wall deflections, can easily upgrade impact resistance using increased mesh weight
- **Sustainability:** Low VOC, low toxicity, recycled content

Detail Directory

Typical Total Barrier PB System - Iso	TBPB-01	Pg 1
Typical Total Barrier PB System -Top View	TBPB-02	Pg 1
Typical Window/Door Head (Flush)	TBPB-03.1	Pg 2
Typical Window/Door Head (Recessed)	TBPB-03.2	Pg 2
Typical Window/Door Head (Flush)	TBPB-03.3	Pg 3
Typical Window Sill (Flush)	TBPB-04.1	Pg 3
Typical Window Sill (Recessed)	TBPB-04.2	Pg 4
Typical Window Sill (Flush)	TBPB-04.3	Pg 4
Typical Window/Door Jamb (Flush)	TBPB-05.1	Pg 5
Typical Window/Door Jamb (Recessed)	TBPB-05.2	Pg 5
Typical Window/Door Jamb (Flush)	TBPB-05.3	Pg 6
Typical Expansion Joint	TBPB-06	Pg 6
Typical "V" Groove	TBPB-07	Pg 7
Typical EIFS @ Masonry Sill	TBPB-08.1	Pg 7
Typical EIFS @ Masonry Sill	TBPB-08.2	Pg 8
Typical Pipe Penetration	TBPB-09	Pg 8
Typical Downspout Attachment	TBPB-10	Pg 9
Typical Vent Attachment	TBPB-11	Pg 9
Typical Kickout Flashing	TBPB-12	Pg 10
Typical Window Opening Preparation	TBPB-13	Pg 11

TOTAL WALL
AMERICA'S EIFS AND STUCCO COMPANY!

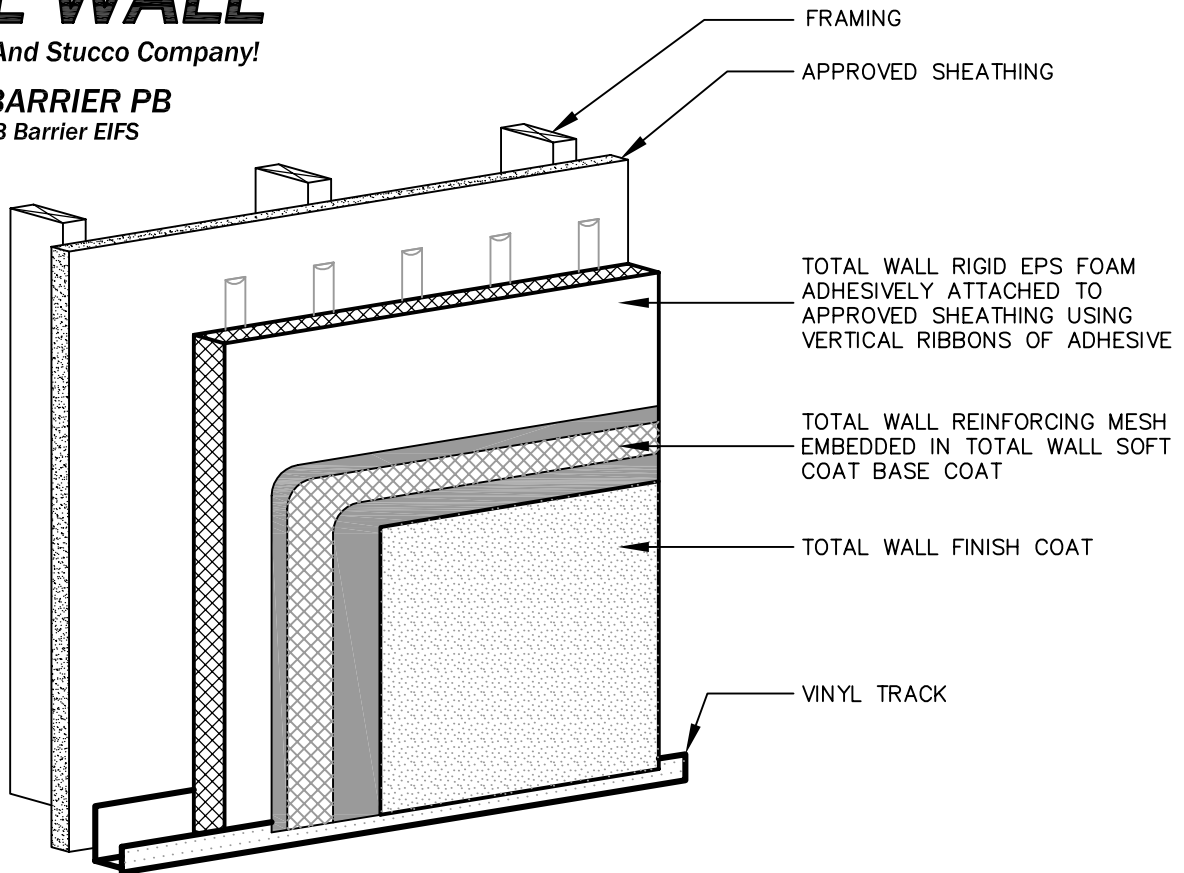
Ph 888.702.9915 Fax 888.702.9916 totalwall.com

TOTAL WALL

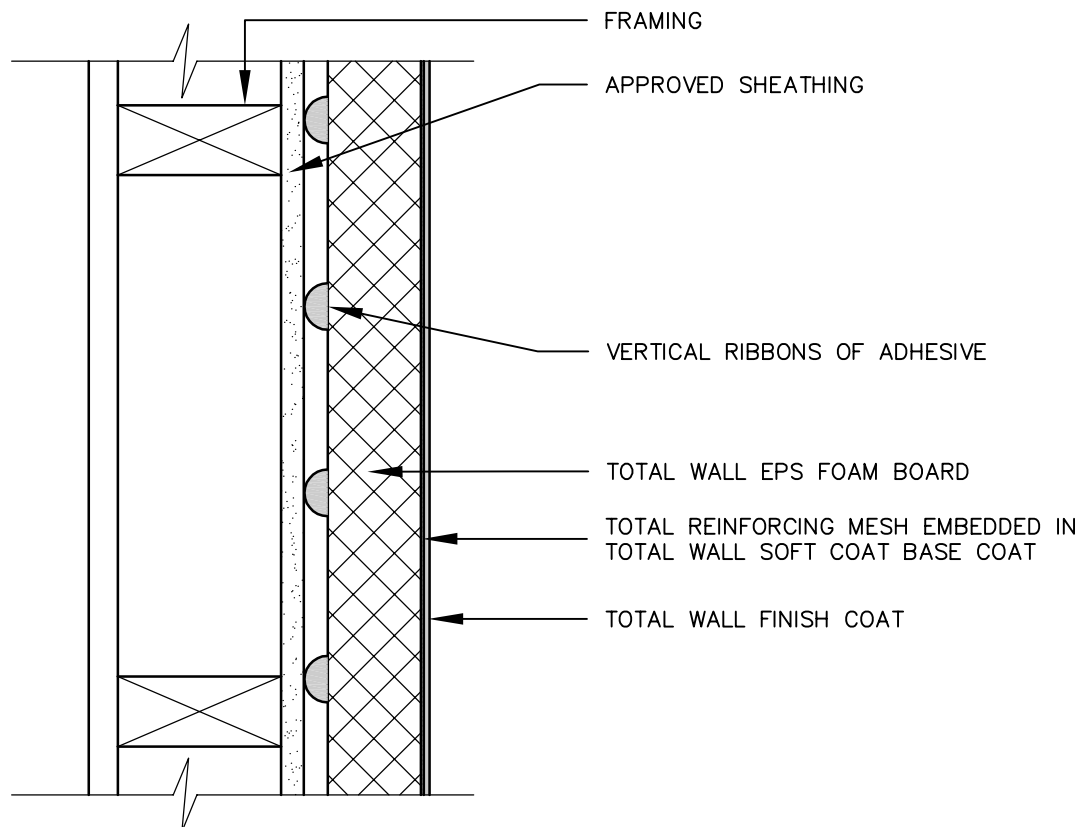
America's EIFS And Stucco Company!

TOTAL BARRIER PB

Class PB Barrier EIFS



TBPB-01 TYPICAL TOTAL BARRIER PB - ISOMETRIC



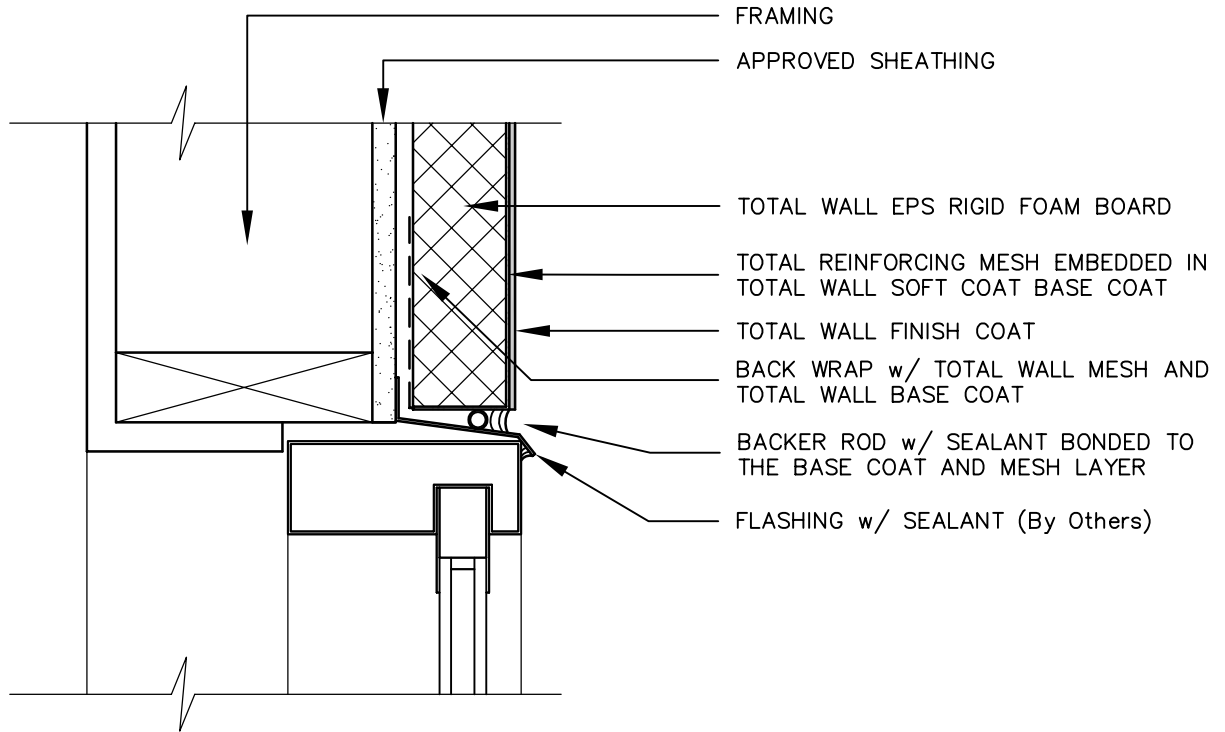
TBPB-02 TYPICAL TOTAL BARRIER PB - TOP VIEW

TOTAL WALL

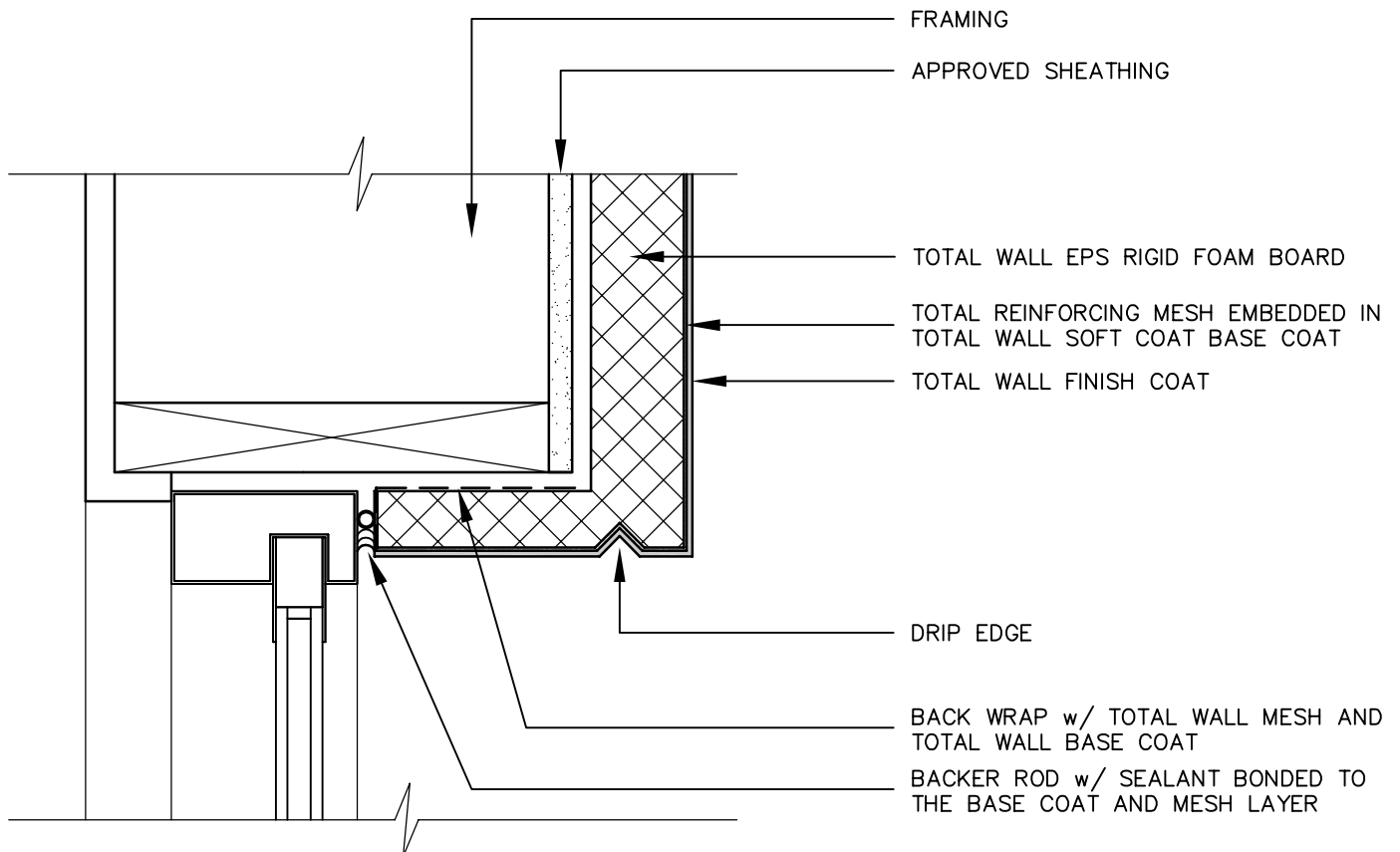
America's EIFS And Stucco Company!

TOTAL BARRIER PB

Class PB Barrier EIFS



TBPB-03.1 TYPICAL WINDOW/DOOR HEAD (FLUSH)



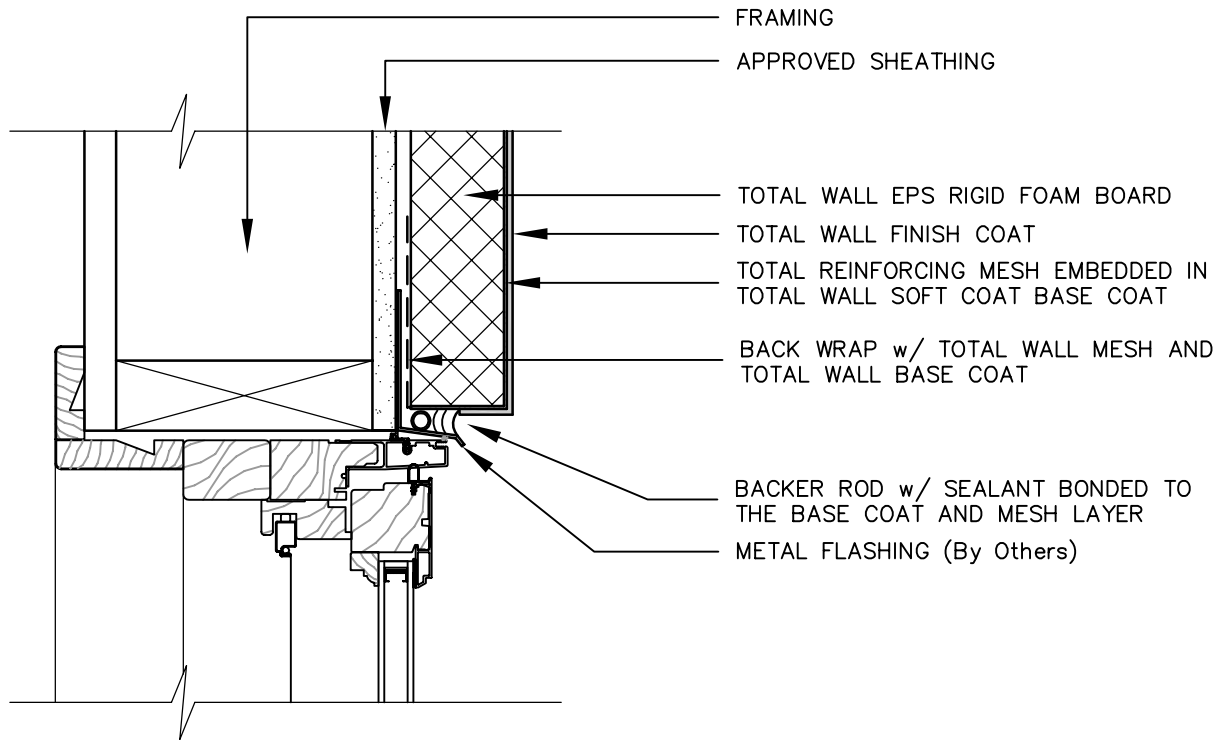
TBPB-03.2 TYPICAL WINDOW/DOOR HEAD (RECESSED)

TOTAL WALL

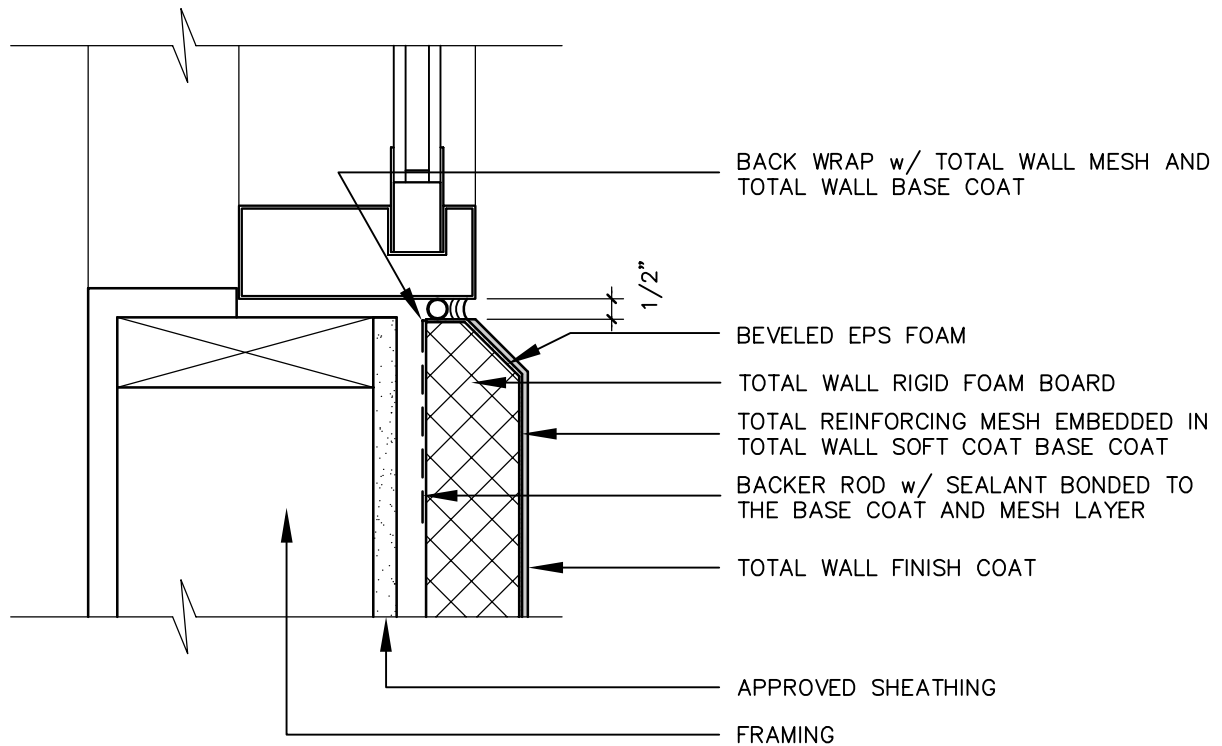
America's EIFS And Stucco Company!

TOTAL BARRIER PB

Class PB Barrier EIFS



TBPB-03.3 TYPICAL WINDOW/DOOR HEAD (FLUSH)



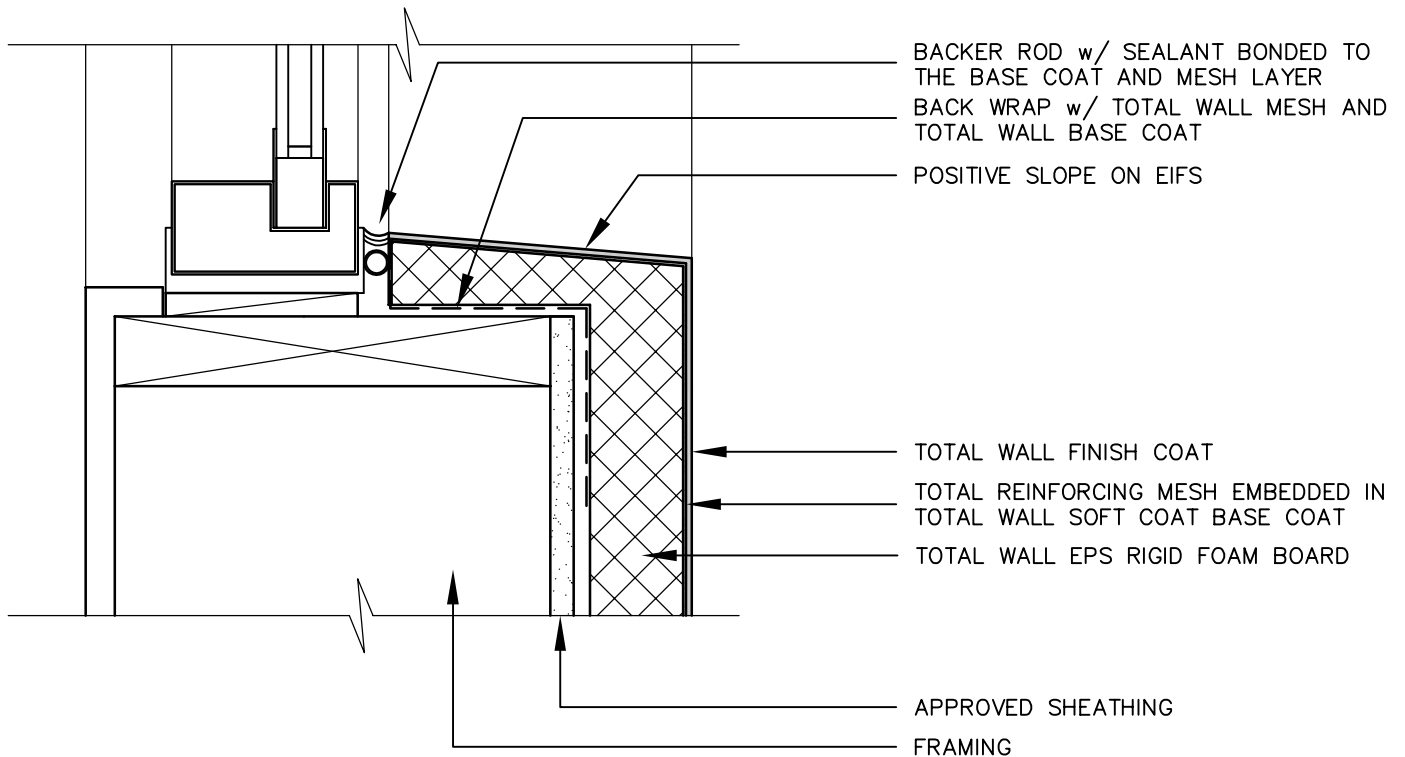
TBPB-04.1 TYPICAL WINDOW SILL (FLUSH)

TOTAL WALL

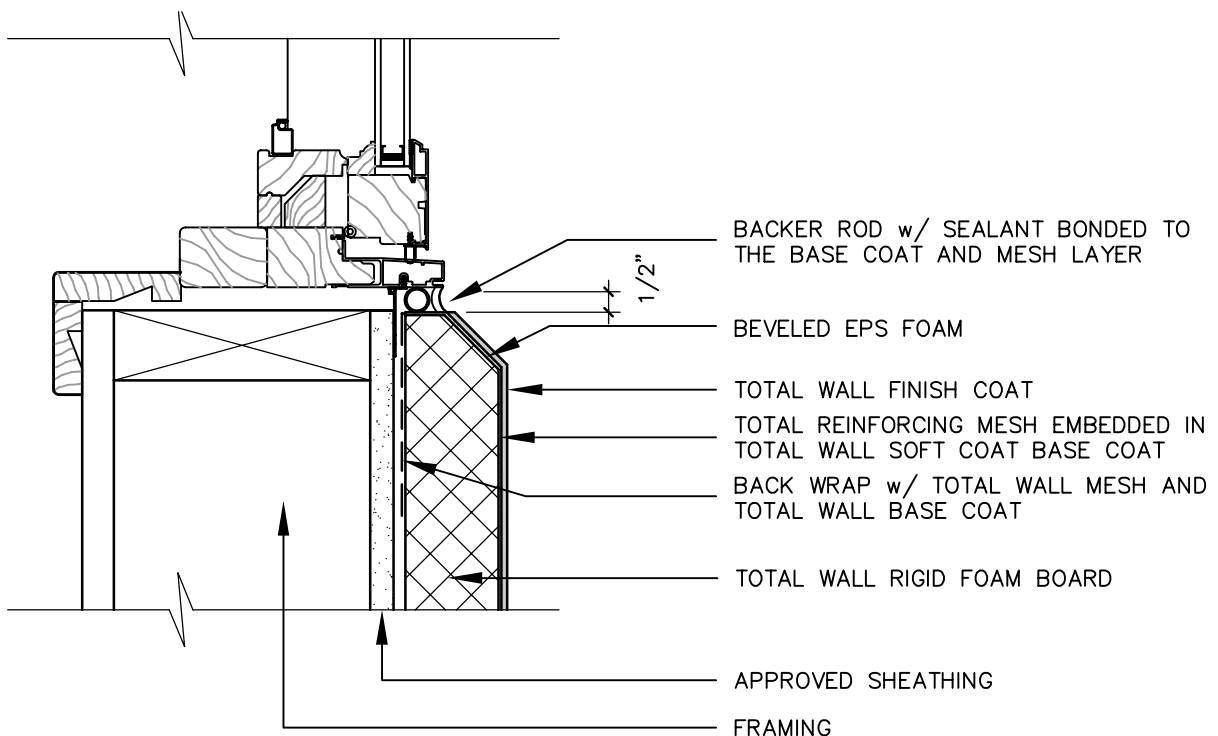
America's EIFS And Stucco Company!

TOTAL BARRIER PB

Class PB Barrier EIFS



TBPB-04.2 TYPICAL WINDOW SILL (RECESSED)



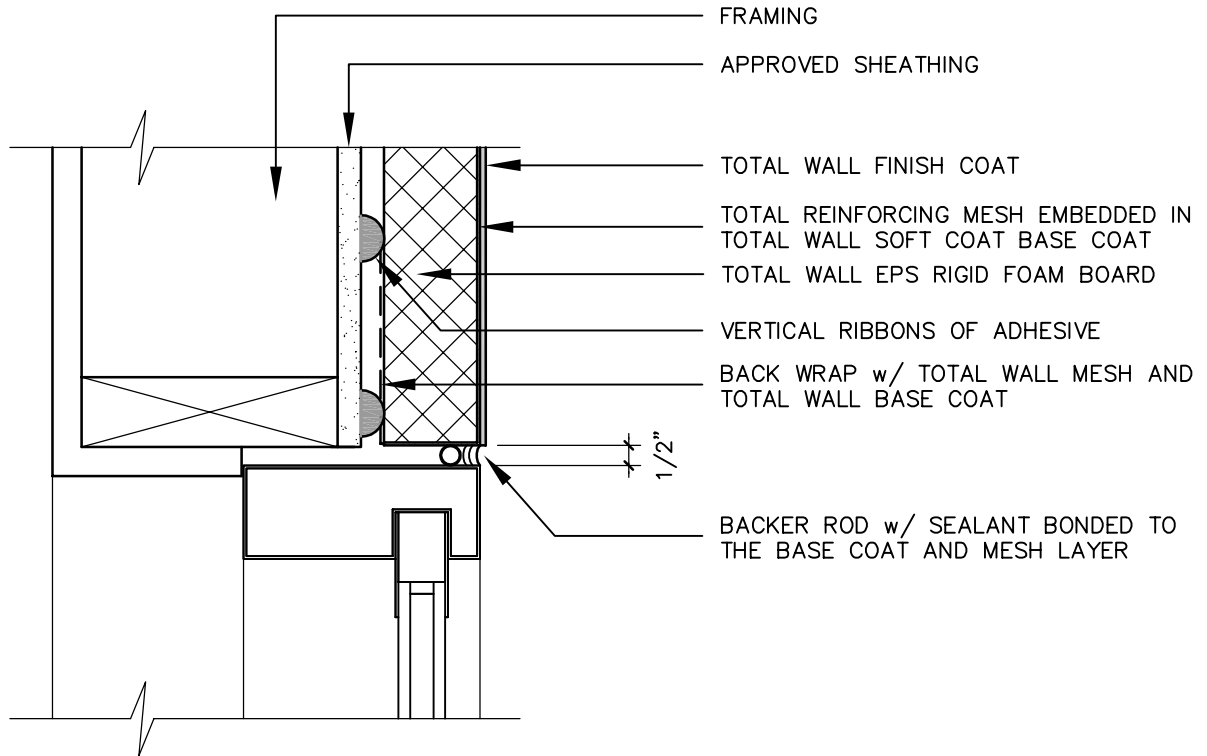
TBPB-04.3 TYPICAL WINDOW SILL (FLUSH)

TOTAL WALL

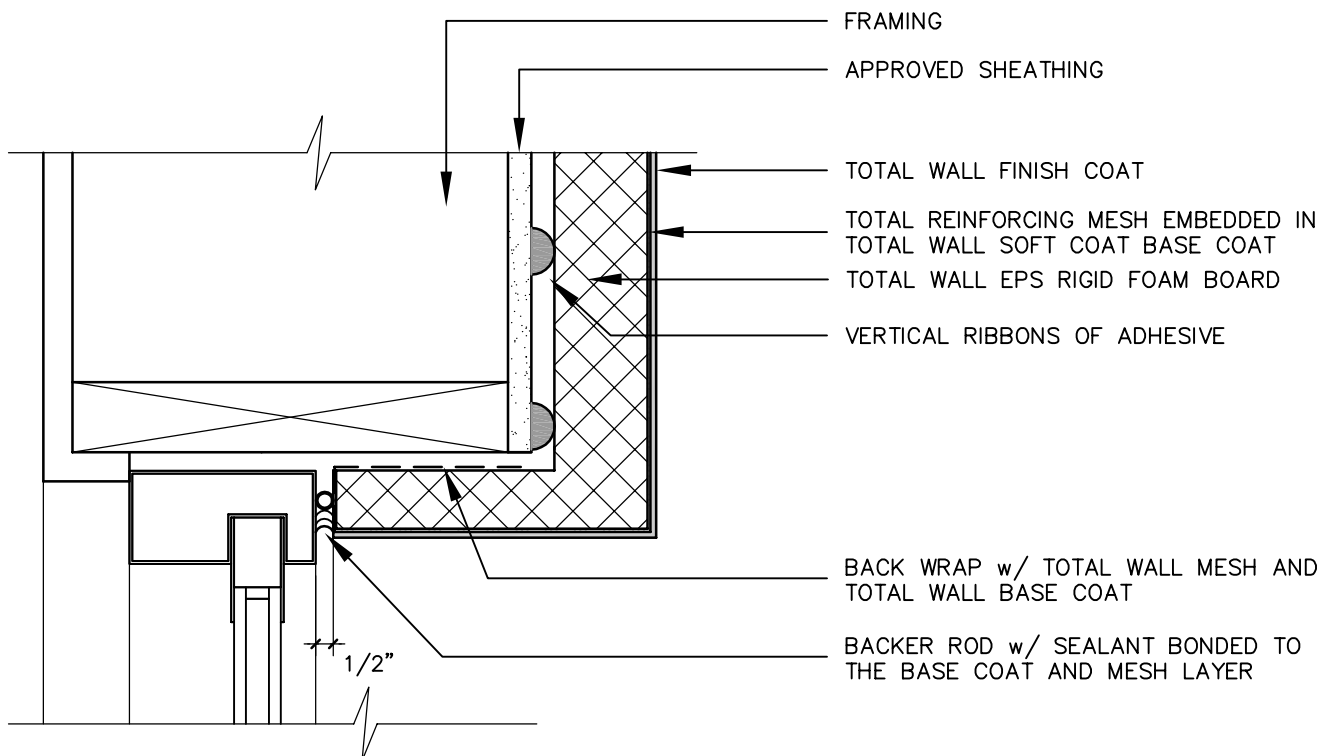
America's EIFS And Stucco Company!

TOTAL BARRIER PB

Class PB Barrier EIFS



TBPB-05.1 TYPICAL WINDOW/DOOR JAMB (FLUSH) - TOP VIEW

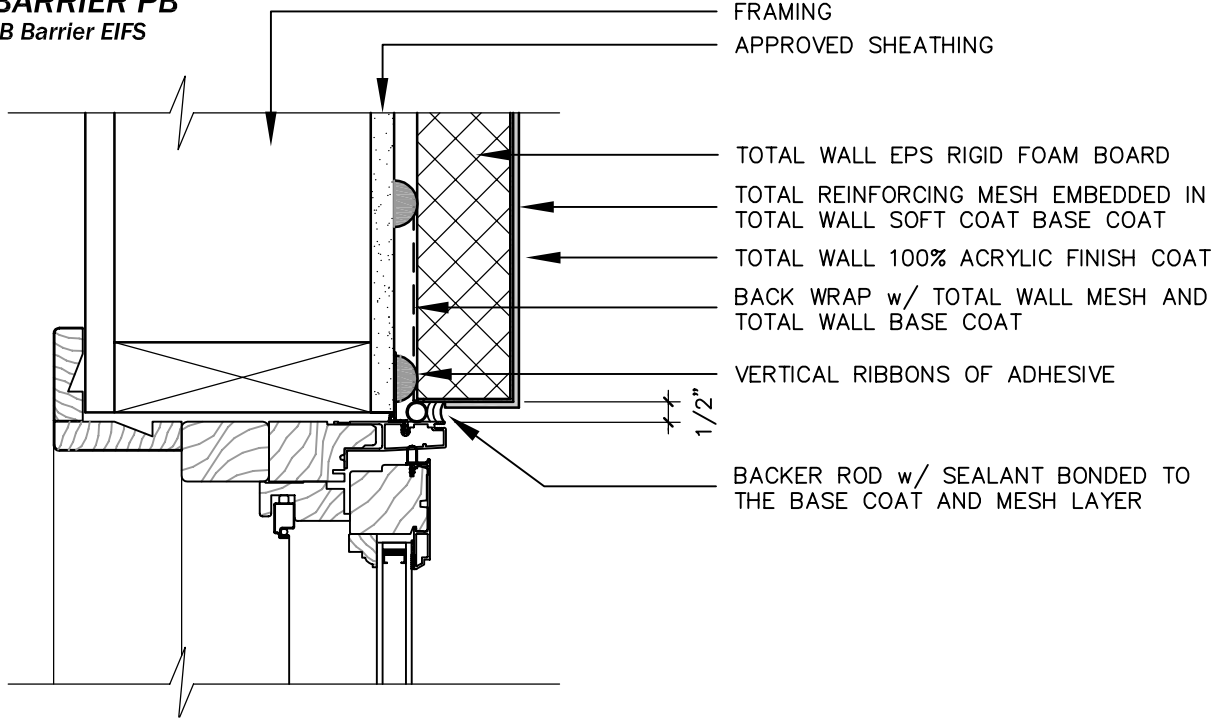


TBPB-05.2 TYPICAL WINDOW/DOOR JAMB (RECESSED) - TOP VIEW

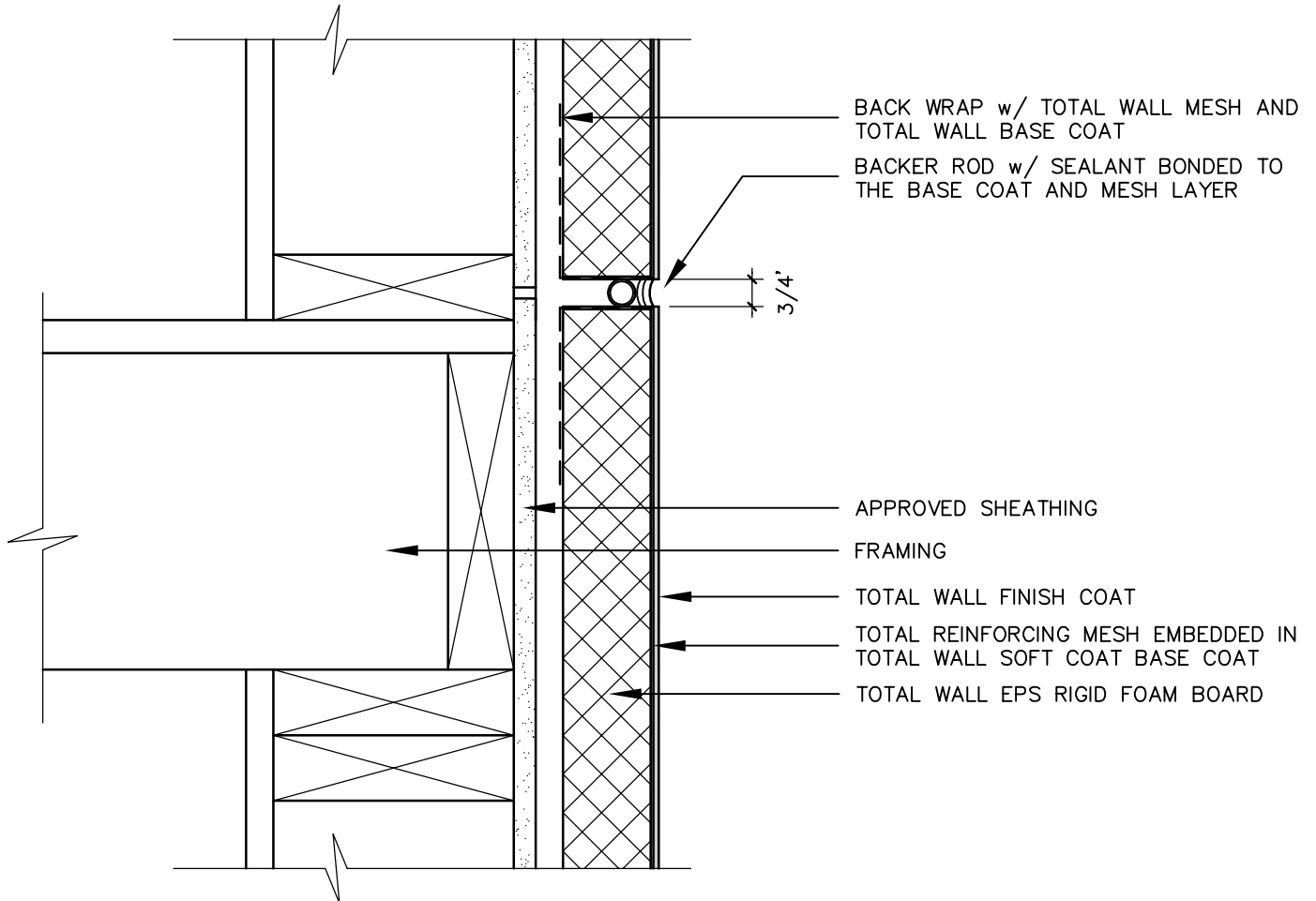
TOTAL WALL

America's EIFS And Stucco Company!

TOTAL BARRIER PB Class PB Barrier EIFS



TBPB-05.3 TYPICAL WINDOW/DOOR JAMB (FLUSH) - TOP VIEW



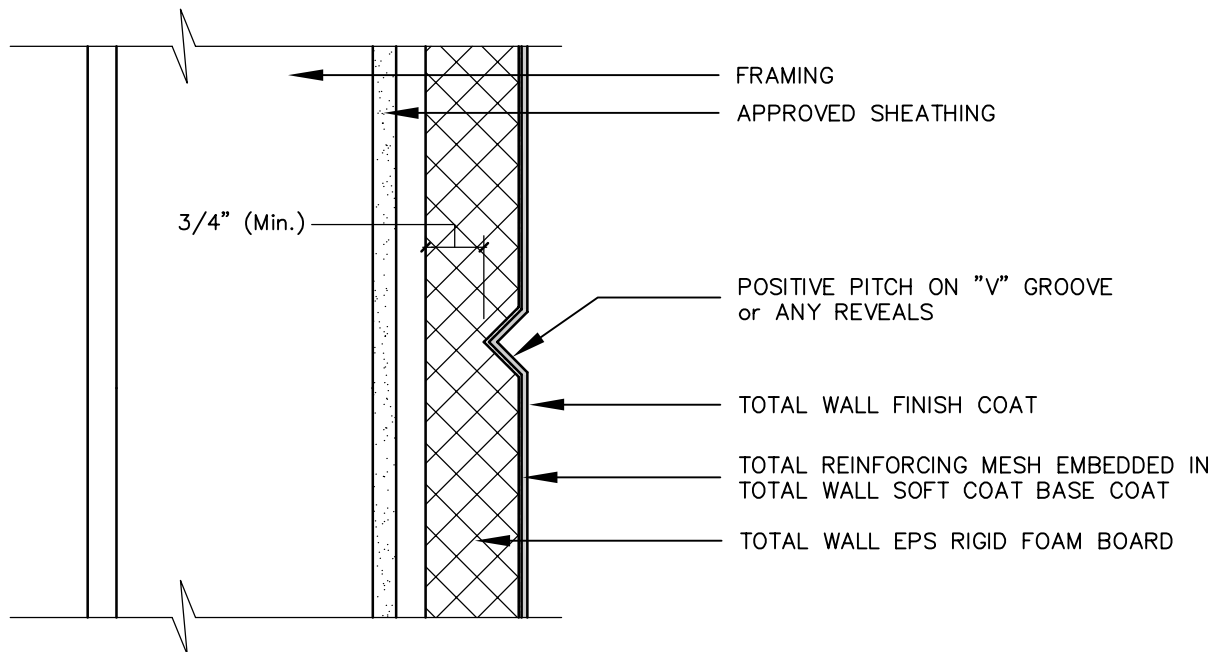
TBPB-06 TYPICAL EXPANSION JOINT

TOTAL WALL

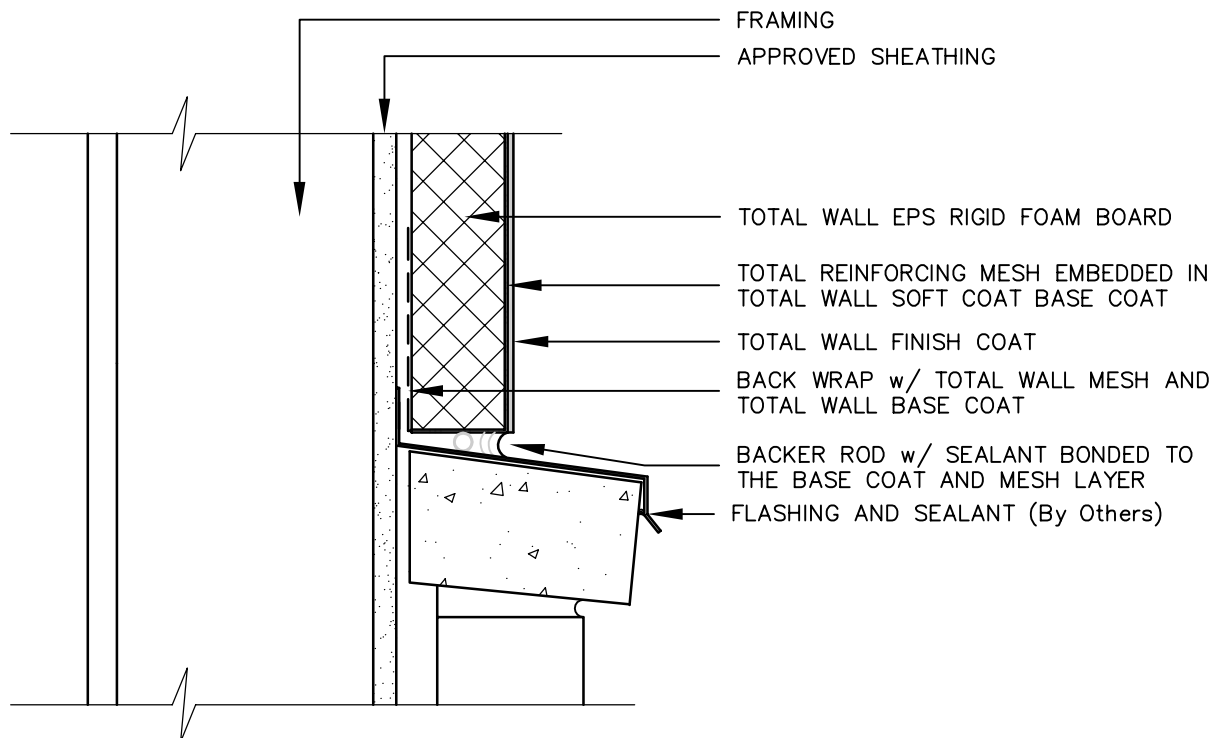
America's EIFS And Stucco Company!

TOTAL BARRIER PB

Class PB Barrier EIFS



TBPB-07 TYPICAL "V" GROOVE



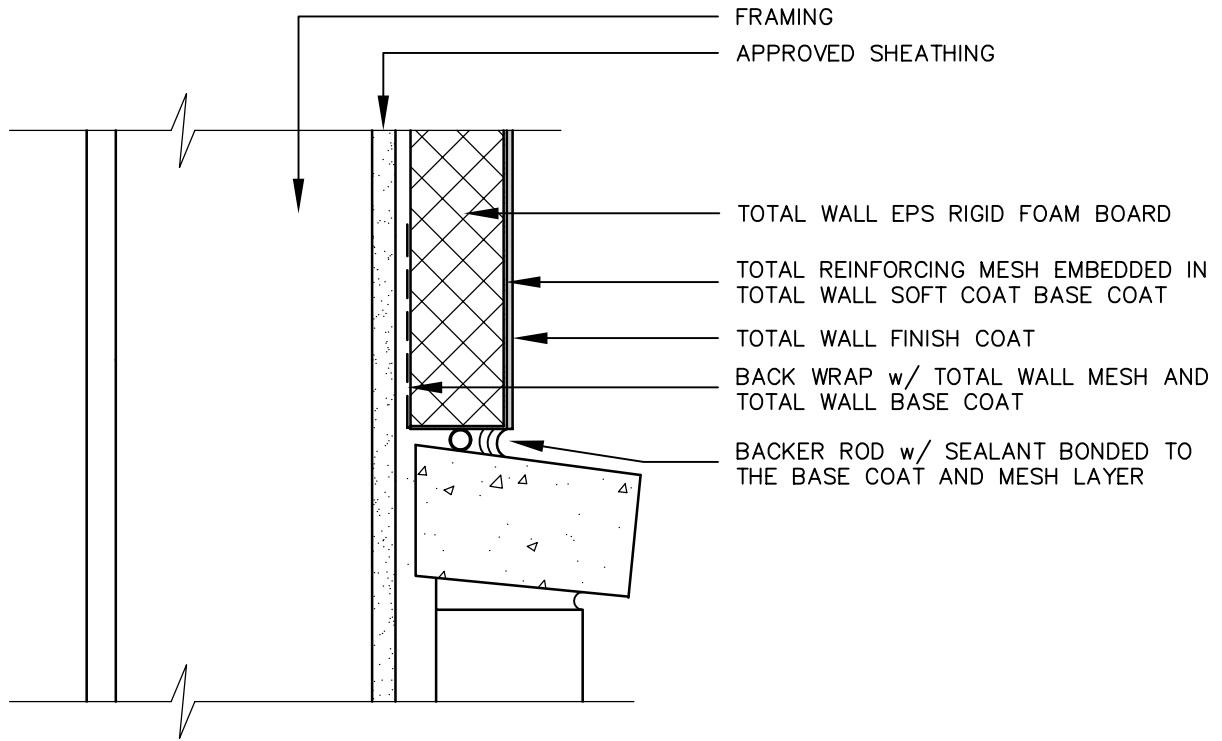
TBPB-08.1 TYPICAL EIFS @ MASONRY SILL

TOTAL WALL

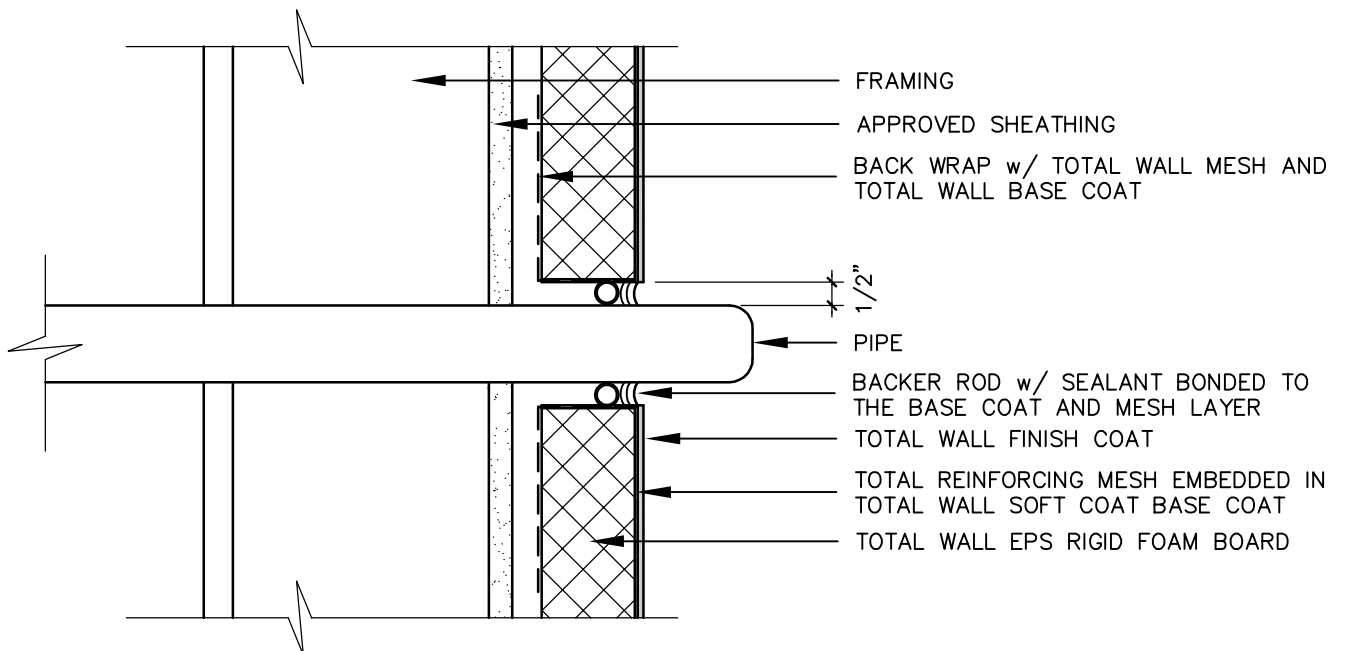
America's EIFS And Stucco Company!

TOTAL BARRIER PB

Class PB Barrier EIFS



TBPB-08.2 TYPICAL EIFS @ MASONRY SILL



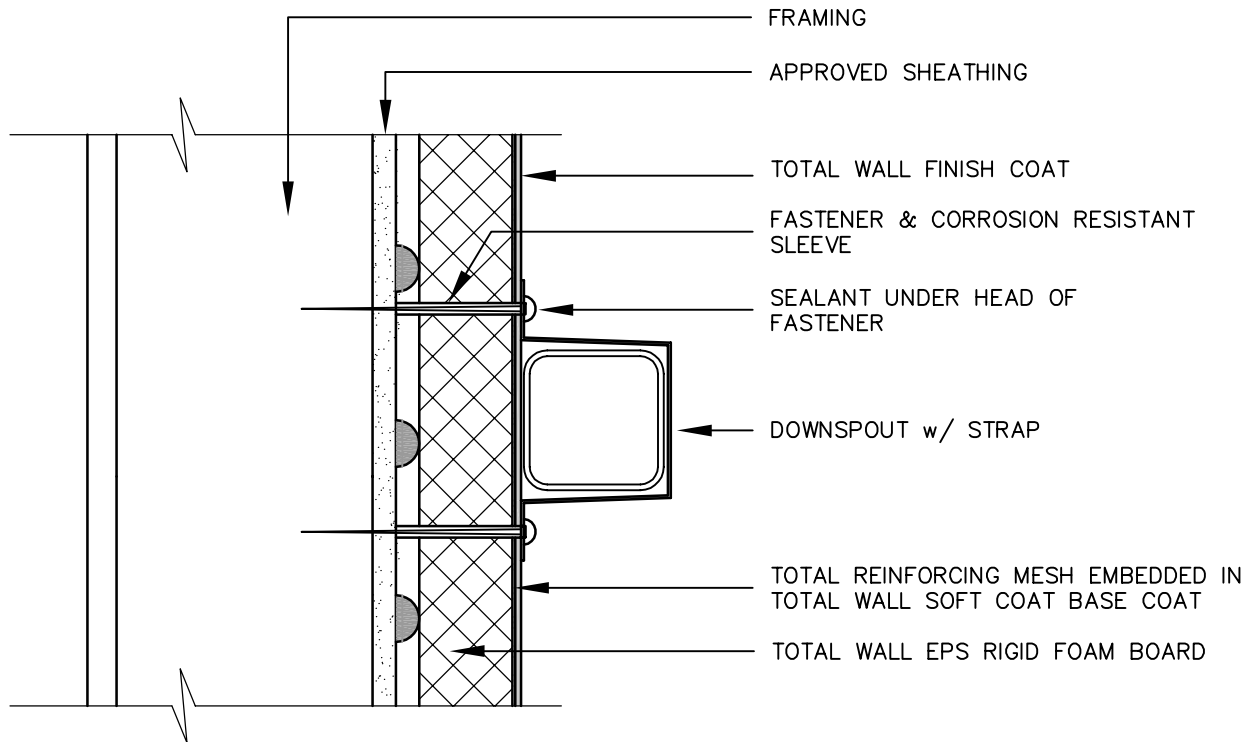
TBPB-09 TYPICAL PIPE PENETRATION

TOTAL WALL

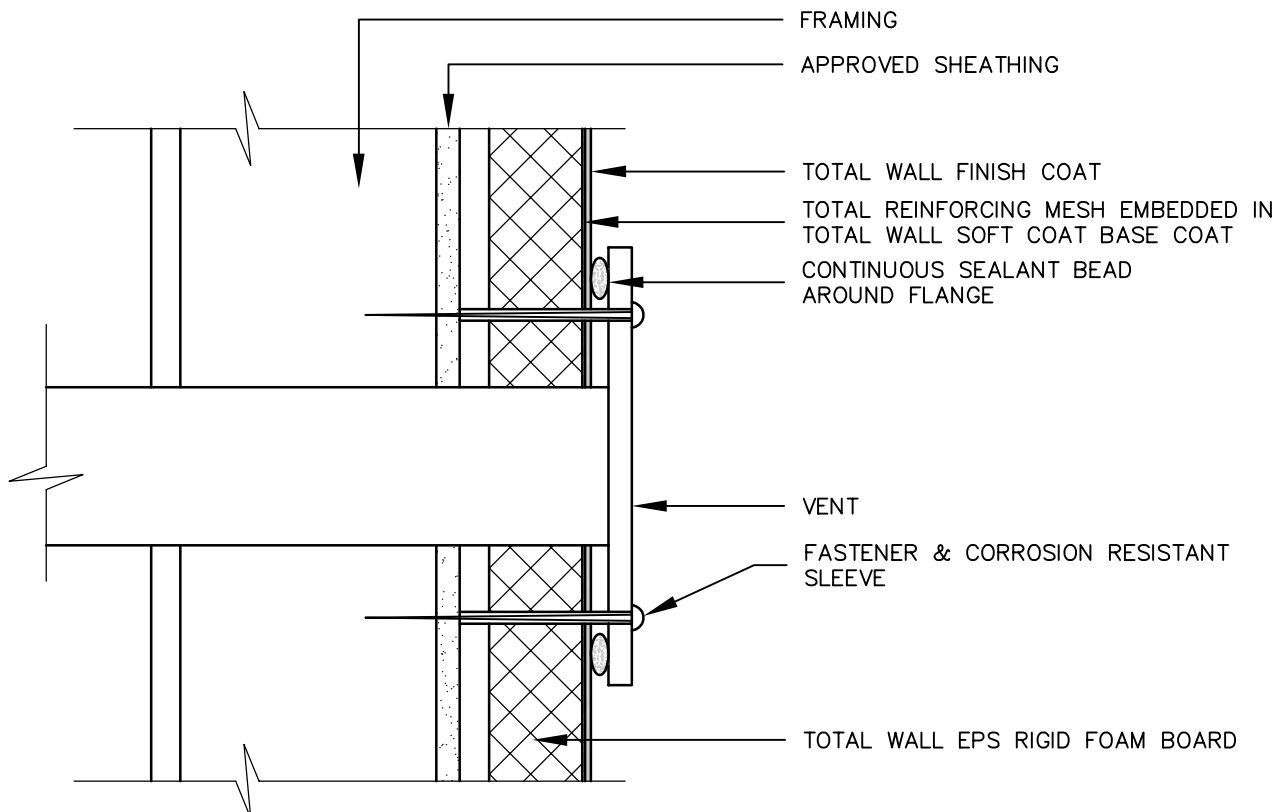
America's EIFS And Stucco Company!

TOTAL BARRIER PB

Class PB Barrier EIFS



TBPB-10 TYPICAL DOWNSPOUT ATTACHMENT



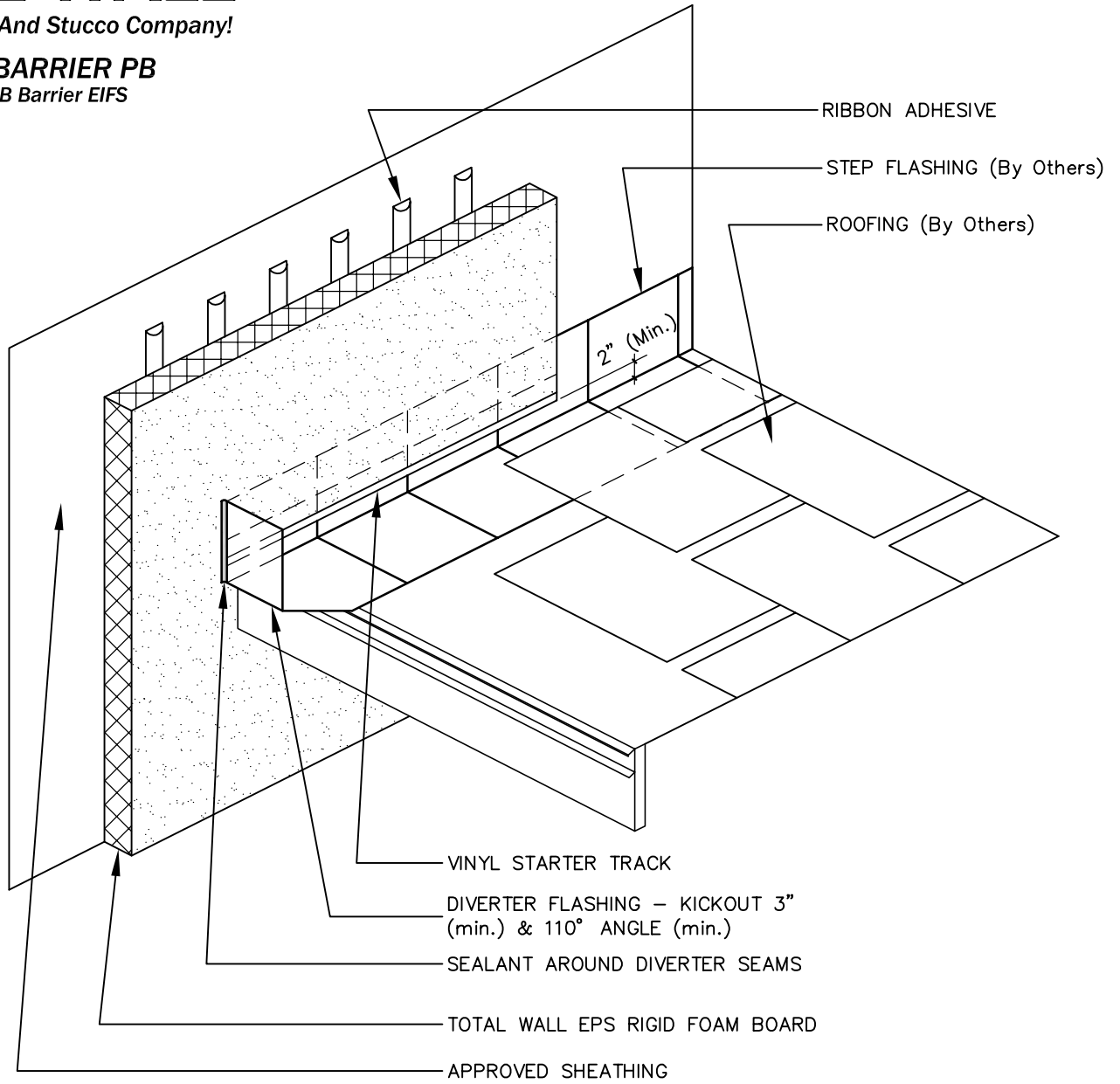
TBPB-11 TYPICAL VENT ATTACHMENT

TOTAL WALL

America's EIFS And Stucco Company!

TOTAL BARRIER PB

Class PB Barrier EIFS



TBPB-12 TYPICAL KICK-OUT FLASHING

TOTAL WALL

America's EIFS And Stucco Company!

TOTAL BARRIER PB Class PB Barrier EIFS

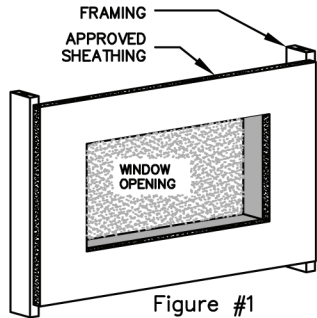


Figure #1

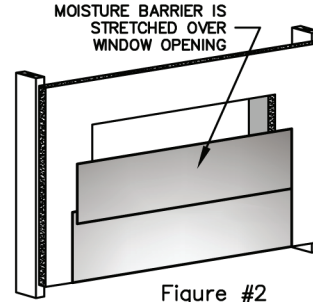


Figure #2

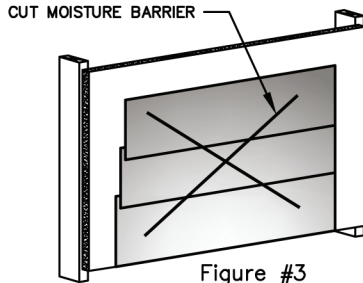


Figure #3

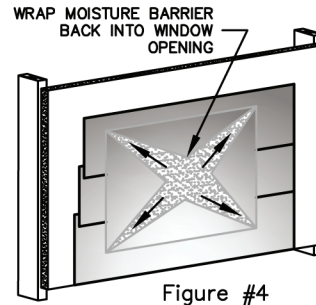


Figure #4

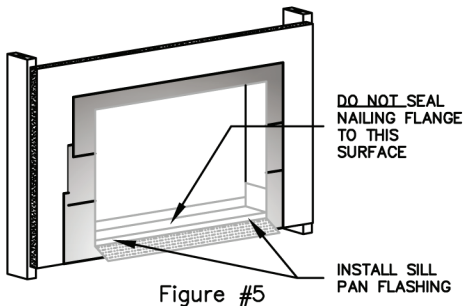


Figure #5

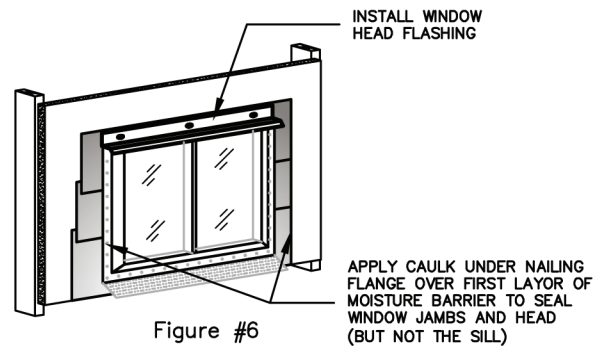


Figure #6

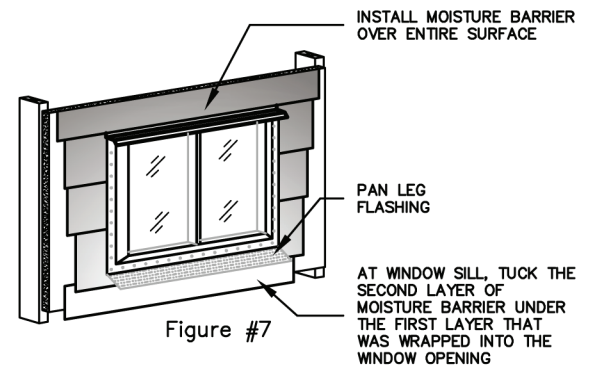
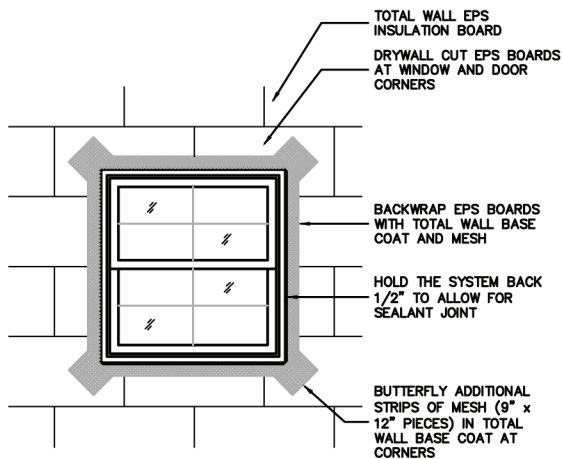


Figure #7

TBPB-13 TYPICAL WINDOW OPENING PREPARATION